

The most sustainable product on the market

•Lightweight

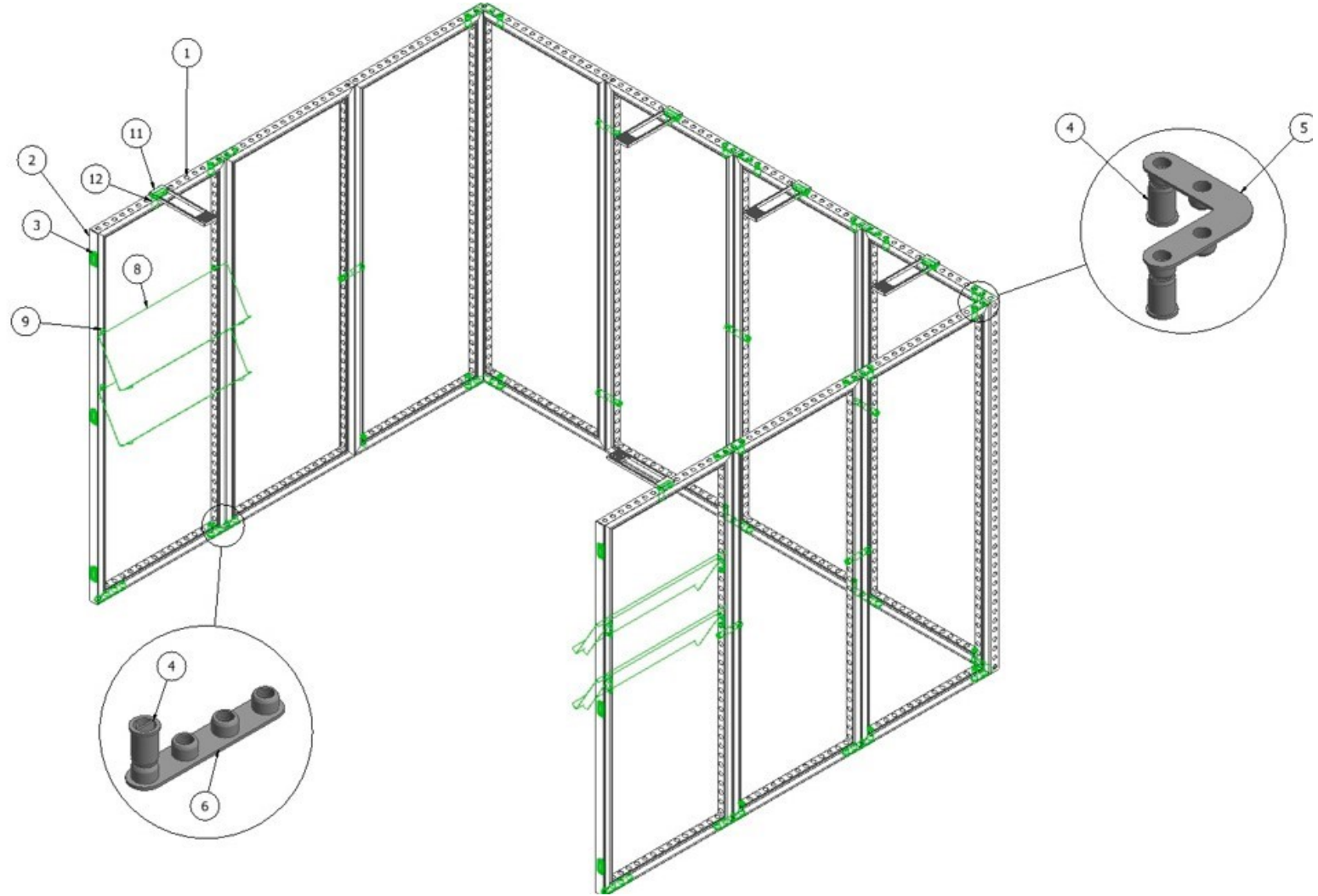
The low weight is one of the reasons why the frames are regarded as very user friendly and allows the stand builder to use less personnel for assembly.

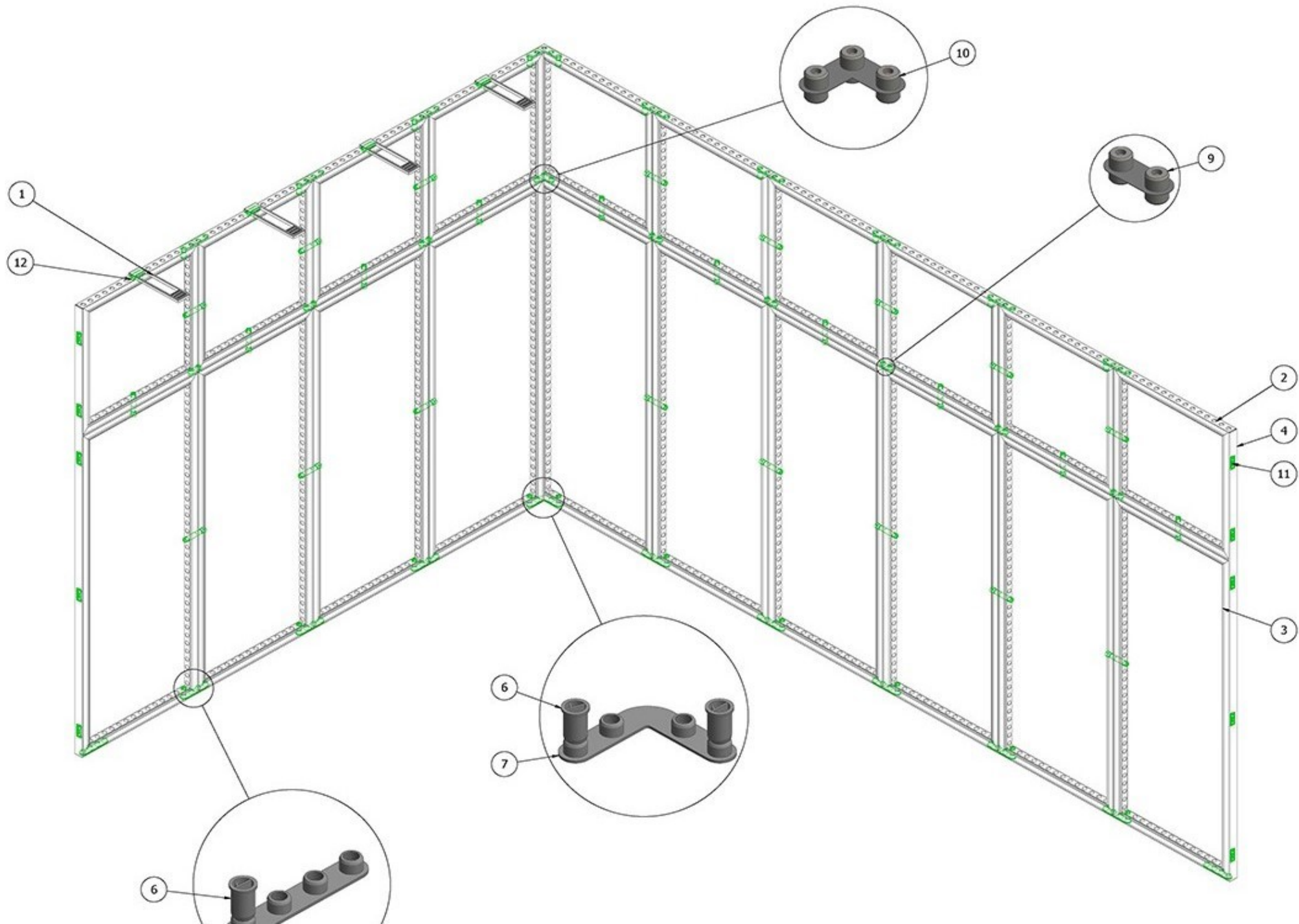
•Durable

The frames can be used over 200 times, in different types of set-ups, it lowers the need for raw materials to manufacture new frames.

•Modular

The system allows a 360° configuration: the frames can be used for flooring, ceiling and walls. One group of frames can be used in different kinds of set-ups hence reducing the need for additional materials











Perfect round corners

