

CONECARTS SPACE



Painted sheet metal cart.

Width	1135 mm
Depth	700 mm
Height	915 mm
Cart load capacity	250,00 kg
Wheels	n° 1 swivel with brake ø125 mm n° 1 swivel without brake ø125 mm n° 2 fixed without brake ø125 mm
Color	black, RAL 9005

SET-UPS

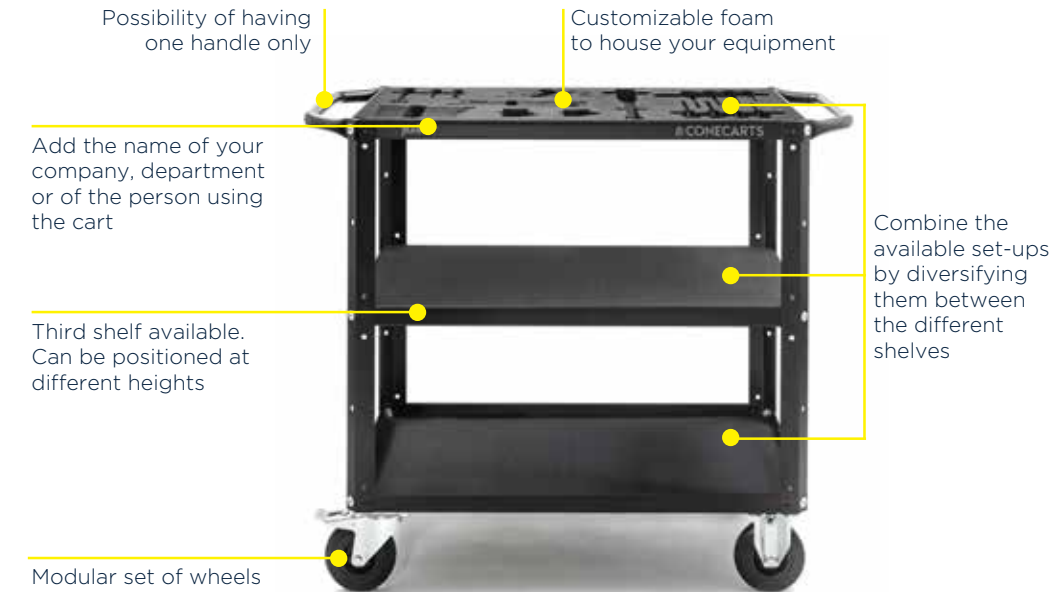
CONECARTS SMALL CONECARTS LARGE



FEATURES

- Light and resistant
- Easy to assemble
- Steel structure and shelves
- Third shelf available
- Large side handles that can be used as hanging points
- Raised edges to prevent accidental falling of objects
- Large diameter wheels: easy transportation on all surfaces
- Suitable for all industries
- Fully customizable
- Made in Italy
- 10-year warranty
- Prompt delivery

PERSONALIZE YOUR CART



For any needs, contact us.

CONECARTS

CONECARTS

The evolution of safe transport.

Plaber is an Italian manufacturer of advanced protective hard cases branded HPRC®| High Performance Resin Cases present on the market for more than 15 years. The expertise gained, the deep will as well as the strong ambition to become the reference point for **any need of safe transport**, lead us to always look for cutting-edge solutions, without ever giving up on impeccable design. We create the most flexible transport solutions on the market to fully satisfy **any customization request** from our customers.

The range of HPRC® cases is now joined by ConeCarts®, High Performance Multipurpose Carts, designed and produced entirely in Italy and guaranteed for 10 years. Not just carts. Handling, protection and storage solutions, with an elegant and distinctive design in which attention to detail, functionality and maximum reliability are essential.

CONECARTS

Plaber s.r.l. | Via Div Tridentina, 10 | 36061 Bassano del Grappa, Vicenza - Italy | Tel +39 0424 809150 | info@conecarts.com

www.conecarts.com

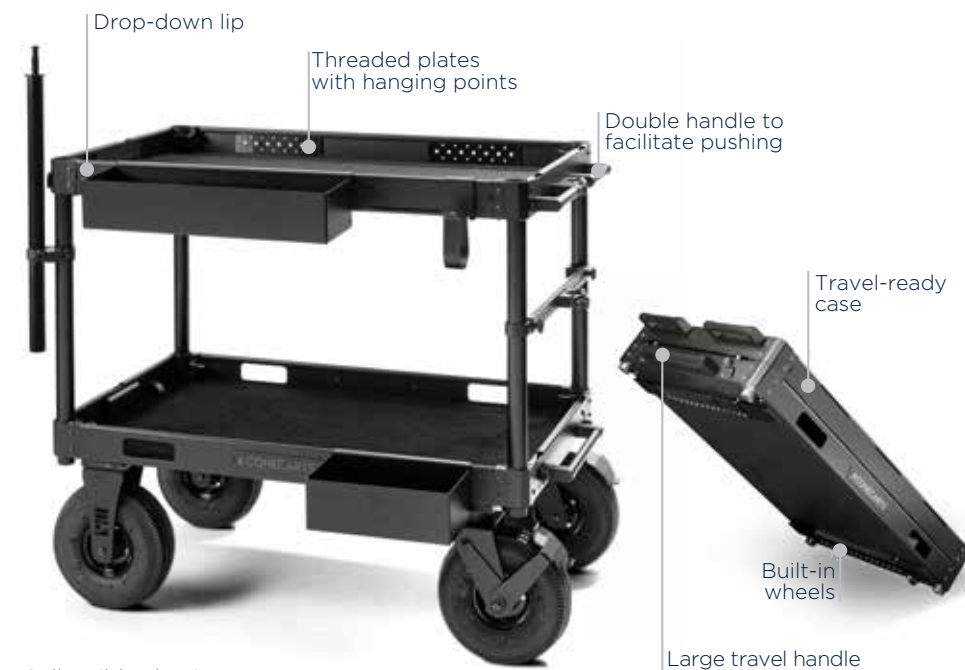
MADE IN ITALY



High performance multipurpose carts for the handling, transport and storage of goods and equipment. Versatility of use.

Functionality. Design. Reliability.

CONECARTS ROCKET



Collapsible aluminum cart.

Overall dimensions (W x D x H)	1125x640x980 mm
Dimensions closed (W x D x H)	1125x640x170 mm
Useful shelf dimensions (W x D)	1018x608 mm
Shelf load capacity	~100,00 kg
Cart load capacity	~200,00 kg
Cart weight	40,00 kg
Wheels	n° 2 swivel with brake ø270 mm n° 2 fixed without brake ø270 mm
Color	black
Standard set-up	black moquette
Available accessories	small side tray large side tray cables hook threaded metal plate side beam kit including 2 clamps to fit Ø35 pole - measures: 30x15x538 mm side clamp Ø40 mm to fit Rocket leg, openable to adapt to Ø35 mm pole

CONECARTS SMALL



Overall dimensions (W x D x H)	904x515x847 mm
Useful shelf dimensions (W x D)	806x506 mm
Shelf load capacity (e.d.l.)	100 daN
Cart load capacity (e.d.l.)	200 daN
Weight 2 shelves	16,80 kg
Weight 3 shelves	21,40 kg
Wheels	n° 1 swivel with brake ø125 mm n° 1 swivel without brake ø125 mm n° 2 fixed without brake ø125 mm
Color	black, RAL 9005
Available set-ups	grey moquette black moquette rubber mat, 3D texture precut foam

CONECARTS LARGE



Overall dimensions (W x D x H)	1024x615x847 mm
Useful shelf dimensions (W x D)	925x605 mm
Shelf load capacity (e.d.l.)	100 daN
Cart load capacity (e.d.l.)	300 daN
Weight 2 shelves	23,60 kg
Weight 3 shelves	31,00 kg
Wheels	n° 1 swivel with brake ø125 mm n° 1 swivel without brake ø125 mm n° 2 fixed without brake ø125 mm
Color	black, RAL 9005
Available set-ups	grey moquette black moquette rubber mat, 3D texture precut foam

CONECARTS SMALL WORKSTATION



Overall dimensions (W x D x H)	904x515x847 mm
Useful shelf dimensions (W x D)	806x506 mm
Shelf load capacity (e.d.l.)	100 daN
Cart load capacity (e.d.l.)	200 daN
Weight 2 shelves	16,80 kg
Weight 3 shelves	21,40 kg
Wheels	n° 1 swivel with brake ø125 mm n° 1 swivel without brake ø125 mm n° 2 fixed without brake ø125 mm
Color	black, RAL 9005
Standard set-up	upper shelf: non slip mat lower shelf/shelves: black moquette

CONECARTS LARGE WORKSTATION



Overall dimensions (W x D x H)	1024x615x847 mm
Useful shelf dimensions (W x D)	925x605 mm
Shelf load capacity (e.d.l.)	100 daN
Cart load capacity (e.d.l.)	300 daN
Weight 2 shelves	23,60 kg
Weight 3 shelves	31,00 kg
Wheels	n° 1 swivel with brake ø125 mm n° 1 swivel without brake ø125 mm n° 2 fixed without brake ø125 mm
Color	black, RAL 9005
Standard set-up	upper shelf: non slip mat lower shelf/shelves: black moquette

CONECARTS LOW DIRECTOR CHAIR

BEECH / COTTON

natural
color



black
color



BEECH / PLASTIC COATED

natural
color



black
color



Dimensions: 56x47x48/90h cm

Material: beech

Colors: natural
black

Set-up: cotton
plastic coated

Discover more on www.conecarts.com

MADE IN ITALY

CONECARTS HIGH DIRECTOR CHAIR

BEECH / COTTON

natural
color



black
color



BEECH / PLASTIC COATED

natural
color



black
color



Dimensions: 58x48x78/119h cm

Colors: natural
black

Material: beech

Set-up: cotton
plastic coated

Discover more on www.conecarts.com

MADE IN ITALY