



RAI AMSTERDAM

15 – 18 SEPTEMBER 2023

Meeting Suite Package 1



*Graphics are not included in the package. Graphics and additional furniture can be ordered via the RAI Exhibitor Services exhibitorservices@rai.nl.

Meeting Suite Package 1 - available from 16m² (4m x 4m)

- Standard white shell scheme walls (1m x 2.5m wxh)
 - Fascia panel with a company name and meeting suite number
 - Integrated ceiling grid for stability and lights
 - 1x perspex window panel (1m x 2.5m wxh)
 - 1x lockable door
 - 1m x 1m colour company logo on front wall – mounted on white foamex board
 - Dark grey carpet – colour can be changed
 - 1x 3kW (13A) daytime power supply including one double wall socket
 - 4x LED spotlights (15W)
 - 1x lockable cabinet
 - 2x white tables
 - 8x white chairs
 - 1x waste bin
 - Basic stand cleaning
-
- 1x technical drawing and visual included. Design updates will be subject to an additional fee of €90 per hour.
 - Graphics, additional furnishings and amenities can be ordered via RAI Exhibitor Services. No substitutions to furniture included in the stand package.



Upgrade items can be ordered via the RAI Exhibitor Services Webshop - [click here](#)
For questions, please contact the RAI Exhibitor Services department

☎ 0031 20 549 1928
exhibitorservices@rai.nl



Meeting Suite Package 2



*Graphics and furniture are not included in the package. Graphics and furniture can be ordered via RAI Exhibitor Services exhibitorservices@rai.nl.

Meeting Suite Package 2 - available from 40m²

- High quality stand build with white walls (1m x 2.5m wxh)
- Fascia board with a company name and suite number
- Intergrated ceiling grid for stability and lights
- 1x lockable door
- Dark grey carpet – colour can be changed
- 2x 3kW (13A) daytime power supply including one double wall socket
- 1x LED spotlight (13W) for every 4m²
- Basic stand cleaning

- 1x technical drawing and visual included. Design updates will be subject to an additional fee of €90 per hour.
- Graphics, furniture and additional amenities can be ordered via RAI Exhibitor Services.



Upgrade items can be ordered via the RAI Exhibitor Services Webshop - [click here](#)
For questions, please contact the RAI Exhibitor Services department

☎ 0031 20 549 1928
exhibitorservices@rai.nl



*Meeting suite impressions

Meeting Suites - Upgrade Options

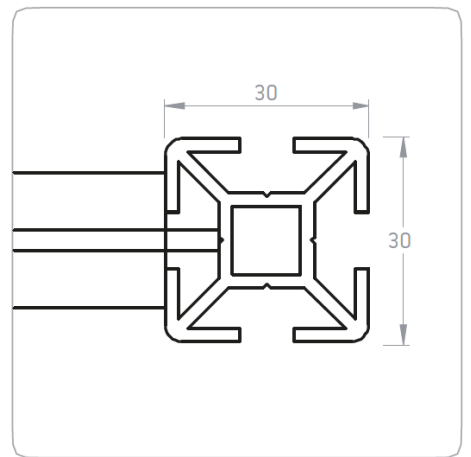
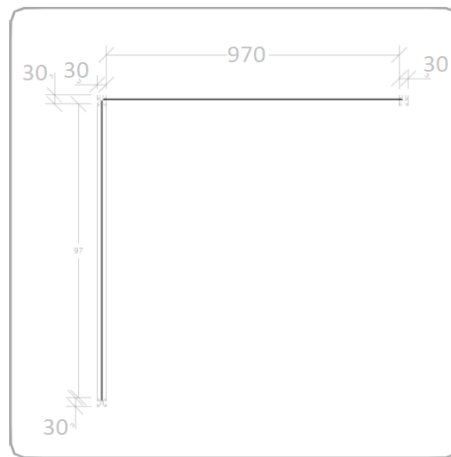
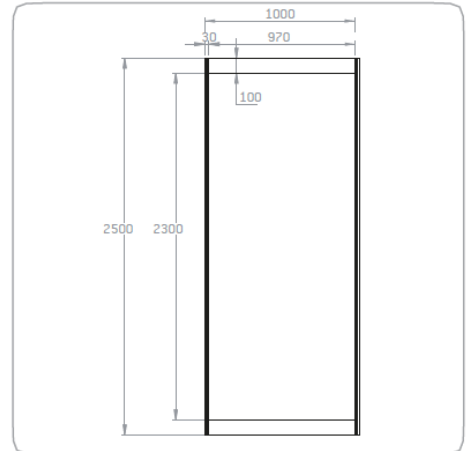
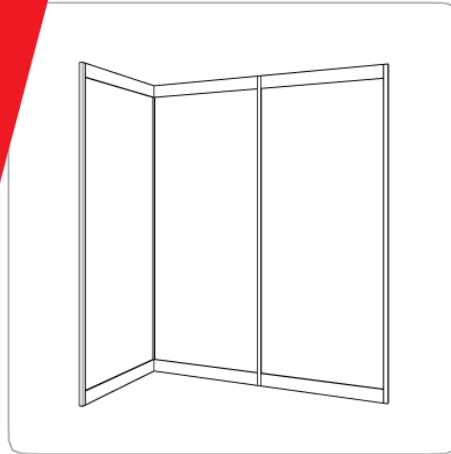
- AV
- Power, internet & water
- Lighting
- Mini market
- Catering service
- Furniture
- Plants & flowers
- Electrical appliances
- Staff



Upgrade items can be ordered via the RAI Exhibitor Services Webshop - [click here](#)
For questions, please contact the RAI Exhibitor Services department

☎ 0031 20 549 1928
exhibitorservices@rai.nl

Meeting Suite Package 1 Specifications



Meeting Suite Package 1 - Specifications

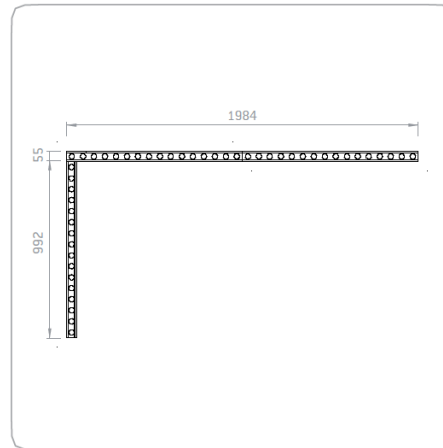
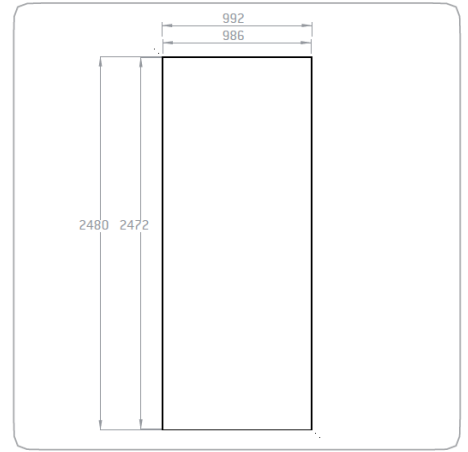
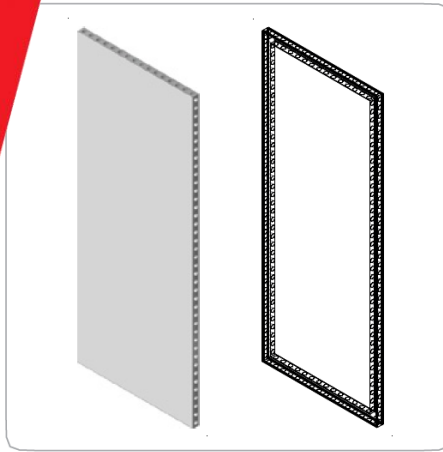
- White system wall element 970x2500x6mm
- Center to center dimensions 1000mm
- Aluminium pole 30x30x2500mm



Upgrade items can be ordered via the RAI Exhibitor Services Webshop - [click here](#)
For questions, please contact the RAI Exhibitor Services department

☎ 0031 20 549 1928
exhibitorservices@rai.nl

Meeting Suite Package 2 Specifications



Meeting Suite Package 2 - Specifications

- White system wall element 992x2480x55mm
- Panel size 986x2472mm



Upgrade items can be ordered via the RAI Exhibitor Services Webshop - [click here](#)
For questions, please contact the RAI Exhibitor Services department

☎ 0031 20 549 1928
exhibitorservices@rai.nl



Electricity

Power Consumption Indication List (reference only)

| | |
|---------------------------------|----------|
| Halogen lights 12v | 50W |
| Fluorescent lighs (max p. unit) | 100W |
| Refrigerator (small) | 500W |
| Refrigerator (large) | 1000W |
| Freezer | 2000W |
| Coffee machine (small) | 1000W |
| Coffee machine (large) | 3000W |
| Microwave | 1200W |
| Kitchen rental unit | 2x 3000W |
| Computer | 400W |
| Laptop | 500W |
| Plasma screen | 650W |
| LCD television | 200W |
| Video projector (large) | 2500W |
| Copier machine | 3000W |
| Dishwasher | 3000W |
| Boiler | 3000W |
| Kettle | 1000W |

*1000W = 1 kW



Upgrade items can be ordered via the RAI Exhibitor Services Webshop - [click here](#)
For questions, please contact the RAI Exhibitor Services department

☎ 0031 20 549 1928
exhibitorservices@rai.nl