



RAI AMSTERDAM

13 – 16 SEPTEMBER 2024

Balcony Suites



*Graphics are not included in the package, graphics and furniture can be ordered via exhibitorservices@rai.nl

Balcony Suites (available in various sizes)

- Standard white shell scheme walls 100x250 cm (wxh)
- Ceiling plinth of 10cm for stability and lights
- Company name and balcony suite number
- 1x lockable door
- Grid ceiling with strips of white muslin
- Dark grey carpet – colour can be changed
- 2x 3kw (13A) daytime power supply including one double wall socket
- LED spotlights - one spotlight for every 4m²
- Basic stand cleaning

- 1x technical drawing and visual included. Design updates will be subject to an additional fee of €90 per hour.

- Please note that furniture is not included and can be ordered via the [RAI Exhibitor Services Webshop](#).



All upgrade items can be booked via the [RAI Exhibitor Services Webshop](#).
For questions, please contact the RAI Exhibitor Services department.

☎ 0031 20 549 1928
exhibitorservices@rai.nl

Balcony Suite upgrade options



*Balcony Suite impressions

Upgrade options (available via the RAI Exhibitor Services Webshop):

- Power, internet & water
- Mini market
- Catering service
- Furniture
- Plants & flowers
- Electrical appliances
- Temporary staff

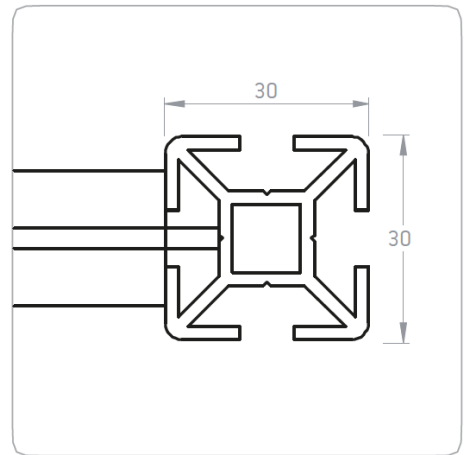
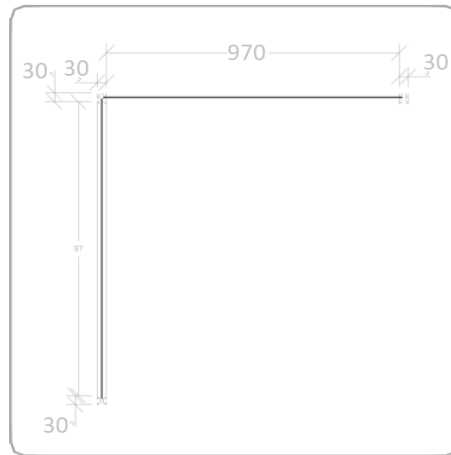
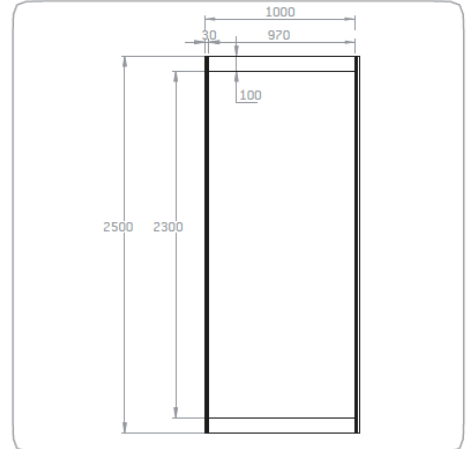
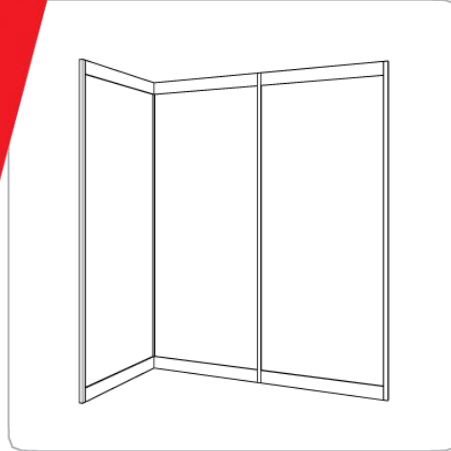


All upgrade items can be booked via the [RAI Exhibitor Services Webshop](#).
For questions, please contact the RAI Exhibitor Services department.

☎ 0031 20 549 1928
exhibitorservices@rai.nl



Balcony Suite specifications



Balcony Suites specifications

- White system wall element 970x2500x6mm
- Center to center dimensions 1000mm
- Aluminium pole 30x30x2500mm



All upgrade items can be booked via the [RAI Exhibitor Services Webshop](#).
For questions, please contact the RAI Exhibitor Services department.

☎ 0031 20 549 1928
exhibitorservices@rai.nl



Electricity

Power consumption list (for reference only)

Halogen lights 12v	50W
Fluorescent lights (max p. unit)	100W
Refrigerator (small)	500W
Refrigerator (large)	1000W
Freezer	2000W
Coffee machine (small)	1000W
Coffee machine (large)	3000W
Microwave	1200W
Kitchen rental unit	2x 3000W
Computer	400W
Laptop	500W
Plasma screen	650W
LCD television	200W
Video projector (large)	2500W
Copier machine	3000W
Dishwasher	3000W
Boiler	3000W
Kettle	1000W

*1000W = 1 kW



All upgrade items can be booked via the [RAI Exhibitor Services Webshop](#).
For questions, please contact the RAI Exhibitor Services department.

☎ 0031 20 549 1928
exhibitorservices@rai.nl