



RAI AMSTERDAM

15 – 18 SEPTEMBER 2023

Balcony Suites



*Graphics and furniture are not included in the package. Graphics and furniture can be ordered via the RAI Exhibitor Services exhibitorservices@rai.nl.

Balcony Suites - available in various sizes

- Standard white shell scheme walls (1m x 2.5m wxh)
- Fascia board with a company name and balcony suite number
- Integrated ceiling grid for stability and lights
- Grid ceiling with strips of white muslin
- 1x lockable door
- Dark grey carpet – colour can be changed
- 2x 3kW (13A) daytime power supply including double wall socket
- 8x LED spotlights (11W)
- Basic stand cleaning

- 1x technical drawing and visual included. Design updates will be subject to an additional fee of €90 per hour.
- Graphics, furniture and additional amenities can be ordered via RAI Exhibitor Services.



Upgrade items can be ordered via the RAI Exhibitor Services Webshop - [click here](#)
For questions, please contact the RAI Exhibitor Services department

☎ 0031 20 549 1928
exhibitorservices@rai.nl

rai
AMSTERDAM

Balcony Suite Upgrade Options



*Balcony suite impressions

Balcony Suites – Upgrade Options

- AV
- Power, internet & water
- Lighting
- Mini market
- Catering service
- Furniture
- Plants & flowers
- Electrical appliances
- Staff

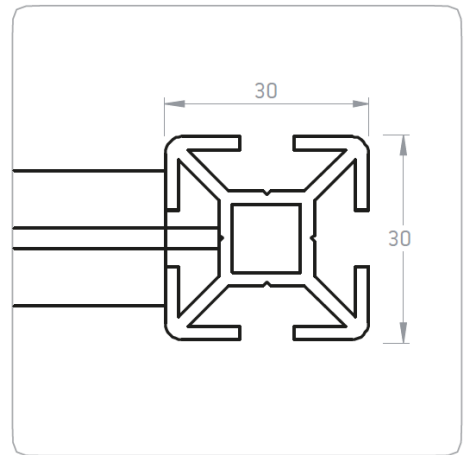
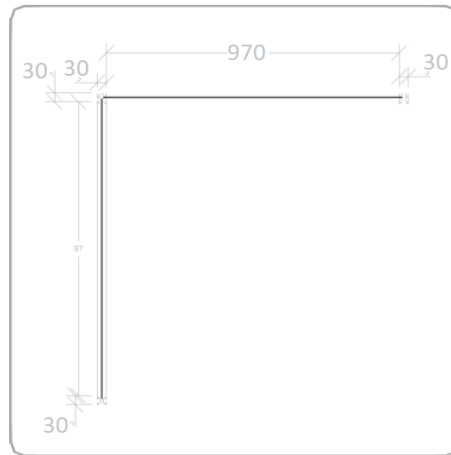
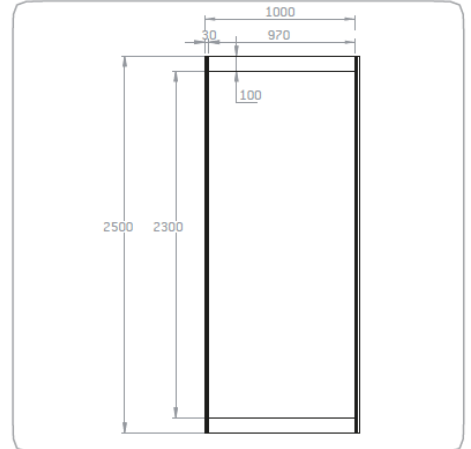
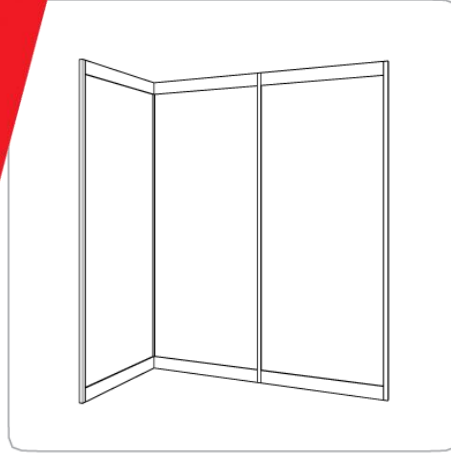


Upgrade items can be ordered via the RAI Exhibitor Services Webshop - [click here](#)
For questions, please contact the RAI Exhibitor Services department

☎ 0031 20 549 1928
exhibitorservices@rai.nl



Balcony Suites Specifications



Balcony Suites - Specifications

- White system wall element 970x2500x6mm
- Center to center dimensions 1000mm
- Aluminium pole 30x30x2500mm



Upgrade items can be ordered via the RAI Exhibitor Services Webshop - [click here](#)
For questions, please contact the RAI Exhibitor Services department

☎ 0031 20 549 1928
exhibitorservices@rai.nl



Electricity

Power Consumption Indication List (reference only)

Halogen lights 12v	50W
Fluorescent lighs (max p. unit)	100W
Refrigerator (small)	500W
Refrigerator (large)	1000W
Freezer	2000W
Coffee machine (small)	1000W
Coffee machine (large)	3000W
Microwave	1200W
Kitchen rental unit	2x 3000W
Computer	400W
Laptop	500W
Plasma screen	650W
LCD television	200W
Video projector (large)	2500W
Copier machine	3000W
Dishwasher	3000W
Boiler	3000W
Kettle	1000W

*1000W = 1 kW



Upgrade items can be ordered via the RAI Exhibitor Services Webshop - [click here](#)
For questions, please contact the RAI Exhibitor Services department

☎ 0031 20 549 1928
exhibitorservices@rai.nl