



RAI AMSTERDAM
12-15 SEPTEMBER 2025

Future Tech Pod



IBC2025

FUTURE TECH POD



All upgrade items can be booked via the [RAI Exhibitor Services Webshop](#).
For questions, please contact the RAI Exhibitor Services department.

☎ 0031 20 549 1928
exhibitorservices@rai.nl

rai
AMSTERDAM



RAI AMSTERDAM

12-15 SEPTEMBER 2025

Future Tech Pod



Future Tech Pod

- Premium quality pod (250cm high)
- Company name and pod number
- Integrated lockable counter 100cm x 100cm (WxH)
- Graphics on the Pod front panel only 100cm x 250cm (WxH) included - **visible print area 95cm x 150cm (WxH)**
- Option to purchase additional graphics for the counter
- 2 x high stools
- 1 x 3kW (13A) daytime power supply including one double wall socket
- 1 x LED spotlight
- Wi-Fi internet connection



All upgrade items can be booked via the [RAI Exhibitor Services Webshop](#).
For questions, please contact the RAI Exhibitor Services department.



0031 20 549 1928
exhibitorservices@rai.nl

rai
AMSTERDAM



RAI AMSTERDAM
12-15 SEPTEMBER 2025

Future Tech Pod Upgrade Options



Future Tech Pod - Upgrade Options

- Power (additional)
- Internet (wired)
- Graphics (additional for the counter)
- Lighting (additional)
- Catering
- Furniture (additional)
- Plants & flowers
- Electrical appliances
- Audio/Visual equipment
- Temporary staff



All upgrade items can be booked via the [RAI Exhibitor Services Webshop](#).
For questions, please contact the RAI Exhibitor Services department.

☎ 0031 20 549 1928
exhibitorservices@rai.nl

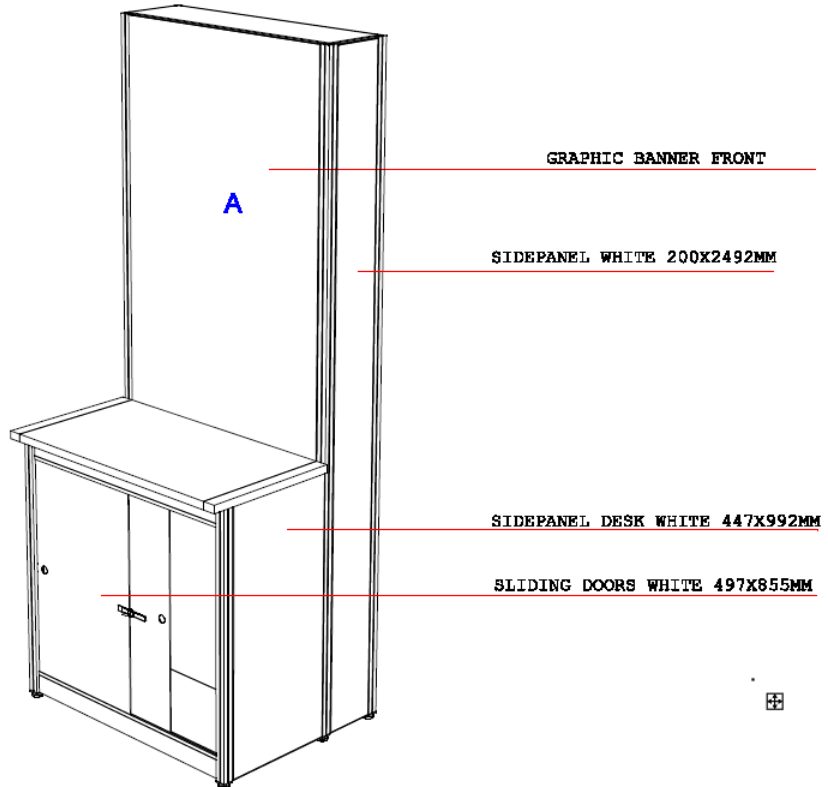
rai
AMSTERDAM



RAI AMSTERDAM

12-15 SEPTEMBER 2025

Future Tech Pod Specifications



Print Size (width x height)

A: 950 x 2500mm - visible print area 950 x 1500mm



All upgrade items can be booked via the [RAI Exhibitor Services Webshop](#).
For questions, please contact the RAI Exhibitor Services department.

☎ 0031 20 549 1928
exhibitorservices@rai.nl





RAI AMSTERDAM

12-15 SEPTEMBER 2025

Electricity

Power consumption list (for reference only)

Halogen lights 12v	50W
Fluorescent lights (max p. unit)	100W
Refrigerator (small)	500W
Refrigerator (large)	1000W
Freezer	2000W
Coffee machine (small)	1000W
Coffee machine (large)	3000W
Microwave	1200W
Kitchen rental unit	2x 3000W
Computer	400W
Laptop	500W
Plasma screen	650W
LCD television	200W
Video projector (large)	2500W
Copier machine	3000W
Dishwasher	3000W
Boiler	3000W
Kettle	1000W

*1000W = 1 kW



All upgrade items can be booked via the [RAI Exhibitor Services Webshop](#).
For questions, please contact the RAI Exhibitor Services department.

☎ 0031 20 549 1928
exhibitorservices@rai.nl