



RAI AMSTERDAM
12-15 SEPTEMBER 2025

Meeting Suites



IBC2025
MEETING SUITES



All upgrade items can be booked via the [RAI Exhibitor Services Webshop](#).
For questions, please contact the RAI Exhibitor Services department.

☎ 0031 20 549 1928
exhibitorservices@rai.nl

rai
AMSTERDAM



RAI AMSTERDAM

12-15 SEPTEMBER 2025

Meeting Suite Package 1



*Graphics are not included in the package, graphics and additional furniture can be ordered via exhibitorservices@rai.nl

Meeting Suite Package 1 (based on 16m²)

- Standard shell scheme walls 1mx2.5m (WxH)
 - Option to upgrade and add graphics to wall panels
 - Ceiling plinth for stability and lights
 - Company name and meeting suite number
 - 1x lockable door
 - 1x window panel 1mx2.5m (WxH)
 - Dark grey carpet (colour can be changed from a standard colour range)
 - 3kw (13A) daytime power supply including one double wall socket
 - 4 x LED spotlights
 - 1 x lockable cabinet
 - 2 x tables; 8 x chairs; 1 x waste bin
 - Basic stand cleaning
-
- 1x technical drawing and visual included. Design updates will be subject to an additional fee of €90 per hour.



All upgrade items can be booked via the [RAI Exhibitor Services Webshop](#).
For questions, please contact the RAI Exhibitor Services department.

☎ 0031 20 549 1928
exhibitorservices@rai.nl



RAI AMSTERDAM

12-15 SEPTEMBER 2025

Meeting Suite Package 2



*Graphics are not included in the package, graphics and furniture can be ordered via exhibitorservices@rai.nl

Meeting Suite Package 2 (available from 40m²)

- Premium quality shell scheme walls 1mx2.5m (WxH)
 - Option to upgrade and add graphics to wall panels
 - Company name and meeting suite number
 - 1 x lockable door
 - Dark grey carpet (colour can be changed from a standard colour range)
 - 2 x 3kW (13A) daytime power supply including one double wall socket
 - LED spotlights - one spotlight for every 4m²
 - Basic stand cleaning
- 1x technical drawing and visual included. Design updates will be subject to an additional fee of €90 per hour.

Please note that furniture is not included and can be ordered via the [RAI Exhibitor Services Webshop](#).



All upgrade items can be booked via the [RAI Exhibitor Services Webshop](#).
For questions, please contact the RAI Exhibitor Services department.

☎ 0031 20 549 1928
exhibitorservices@rai.nl



RAI AMSTERDAM

12-15 SEPTEMBER 2025

Meeting Suite upgrade options



*Meeting Suite impressions

Meeting Suite upgrade options

- Power, internet & water
- Mini market
- Catering service
- Furniture
- Plants & flowers
- Electrical appliances
- Audio/Visual equipment
- Temporary staff



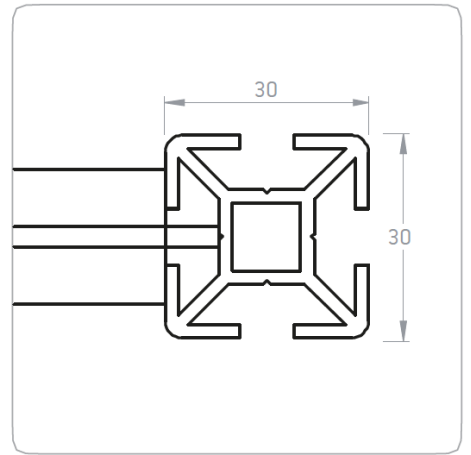
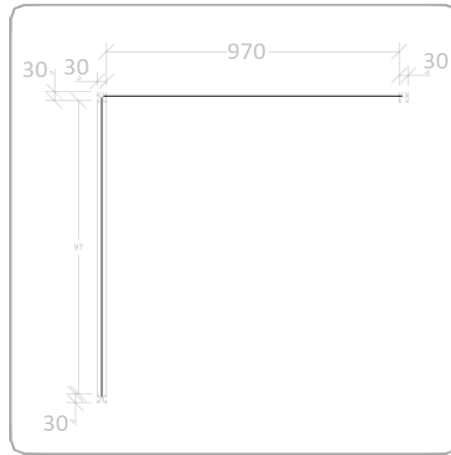
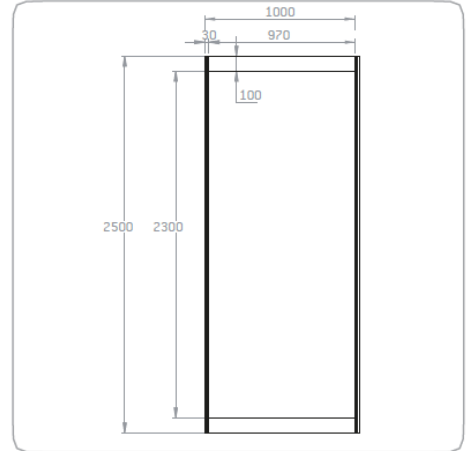
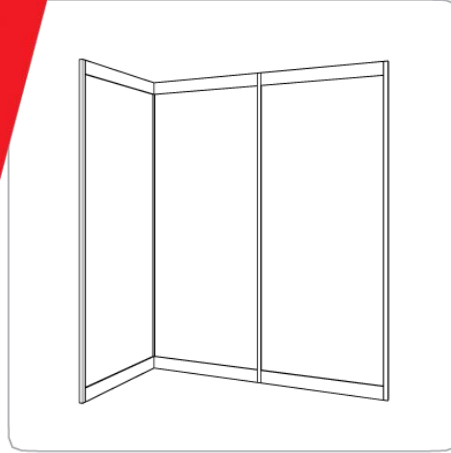
All upgrade items can be booked via the [RAI Exhibitor Services Webshop](#).
For questions, please contact the RAI Exhibitor Services department.

☎ 0031 20 549 1928
exhibitorservices@rai.nl



Meeting Suite Package 1 - Specifications

RAI AMSTERDAM 12-15 SEPTEMBER 2025



Meeting Suite Package 1 - Specifications

- White system wall element 970x2500x6mm
- Center to center dimensions 1000mm
- Aluminium pole 30x30x2500mm



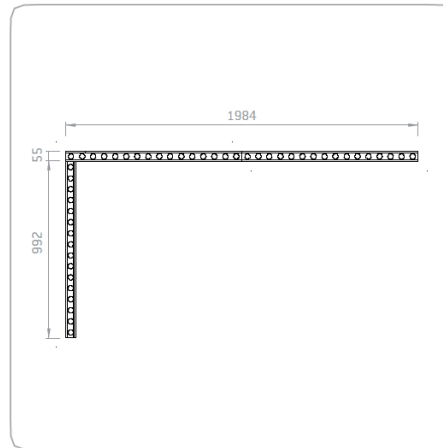
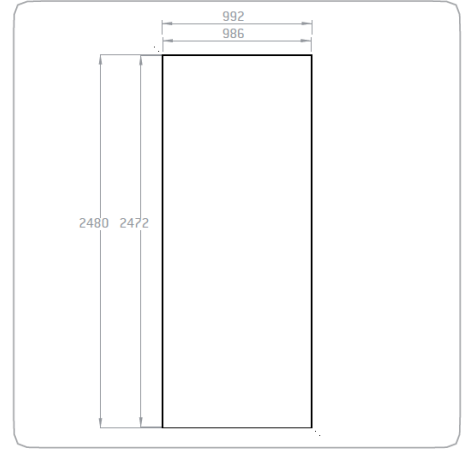
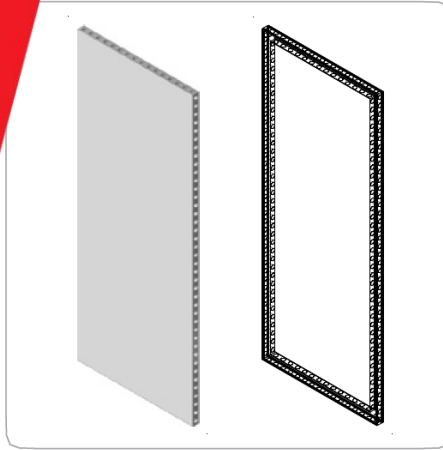
All upgrade items can be booked via the [RAI Exhibitor Services Webshop](#).
For questions, please contact the RAI Exhibitor Services department.

☎ 0031 20 549 1928
exhibitorservices@rai.nl

Meeting Suite Package 2 - Specifications



RAI AMSTERDAM 12-15 SEPTEMBER 2025



Meeting Suite Package 2 - Specifications

- White system wall element 992x2480x55mm
- Panel size 986x2472mm



All upgrade items can be booked via the [RAI Exhibitor Services Webshop](#).
For questions, please contact the RAI Exhibitor Services department.

☎ 0031 20 549 1928
exhibitorservices@rai.nl



RAI AMSTERDAM

12-15 SEPTEMBER 2025

Electricity

Power consumption list (for reference only)

Halogen lights 12v	50W
Fluorescent lights (max p. unit)	100W
Refrigerator (small)	500W
Refrigerator (large)	1000W
Freezer	2000W
Coffee machine (small)	1000W
Coffee machine (large)	3000W
Microwave	1200W
Kitchen rental unit	2x 3000W
Computer	400W
Laptop	500W
Plasma screen	650W
LCD television	200W
Video projector (large)	2500W
Copier machine	3000W
Dishwasher	3000W
Boiler	3000W
Kettle	1000W

*1000W = 1 kW



All upgrade items can be booked via the [RAI Exhibitor Services Webshop](#).
For questions, please contact the RAI Exhibitor Services department.

☎ 0031 20 549 1928
exhibitorservices@rai.nl