



**RAI AMSTERDAM**  
**11-14 SEPTEMBER 2026**

**Meeting Suites**



**IBC2026**

**MEETING SUITES**



All upgrade items can be booked via the [RAI Exhibitor Services Webshop](#).  
For questions, please contact the RAI Exhibitor Services department.

☎ 0031 20 549 1928  
[exhibitorservices@rai.nl](mailto:exhibitorservices@rai.nl)

**rai**  
AMSTERDAM



# RAI AMSTERDAM

## 11-14 SEPTEMBER 2026

### Meeting Suite Package 1



\*Graphics are not included in the package. Graphics and additional furniture can be ordered via [exhibitorservices@rai.nl](mailto:exhibitorservices@rai.nl)

#### Meeting Suite Package 1 (based on 16sqm)

- Standard shell scheme walls (2.5m high)
  - Option to upgrade and add graphics to wall panels
  - Lockable door
  - Window panel 1m x 2.5m (WxH)
  - Ceiling plinth for stability and lights
  - 2 x tables; 8 x chairs; 1 x lockable cabinet; 1 x waste bin
  - 1 x 3kw (13A) daytime power supply including one double wall socket
  - 4 x LED spotlights
  - Company name and meeting suite number
  - Dark grey carpet tiles
  - Basic stand cleaning
- 1x technical drawing and visual included. Design updates will be subject to an additional fee of €90 per hour.



All upgrade items can be booked via the [RAI Exhibitor Services Webshop](#).  
For questions, please contact the RAI Exhibitor Services department.

☎ 0031 20 549 1928  
[exhibitorservices@rai.nl](mailto:exhibitorservices@rai.nl)



# RAI AMSTERDAM

## 11-14 SEPTEMBER 2026

### Meeting Suite Package 2



\*Graphics and furniture are not included in the package and can be ordered via [exhibitorservices@rai.nl](mailto:exhibitorservices@rai.nl)

### Meeting Suite Package 2 (available from 40sqm)

- Premium quality shell scheme walls (2.5m high)
  - Option to upgrade and add graphics to wall panels
  - Lockable door
  - 2 x 3kW (13A) daytime power supply including one double wall socket
  - LED spotlights - one spotlight for every 4sqm
  - Company name and meeting suite number
  - Dark grey carpet tiles
  - Basic stand cleaning
- 
- 1x technical drawing and visual included. Design updates will be subject to an additional fee of €90 per hour.



All upgrade items can be booked via the [RAI Exhibitor Services Webshop](#).  
For questions, please contact the RAI Exhibitor Services department.

☎ 0031 20 549 1928  
[exhibitorservices@rai.nl](mailto:exhibitorservices@rai.nl)

**rai**  
AMSTERDAM



# RAI AMSTERDAM

## 11-14 SEPTEMBER 2026

### Meeting Suite Upgrade Options



\*Meeting Suite impressions

### Meeting Suite upgrade options

- Power
- Internet
- Water connection
- Graphics
- Lighting
- Mini market
- Catering service
- Furniture
- Plants & flowers
- Electrical appliances
- Temporary staff
- Audio/Visual equipment
- Wall reinforcement (required for affixed TV screens) - cost from €192.80 excl. VAT



All upgrade items can be booked via the [RAI Exhibitor Services Webshop](#).  
For questions, please contact the RAI Exhibitor Services department.

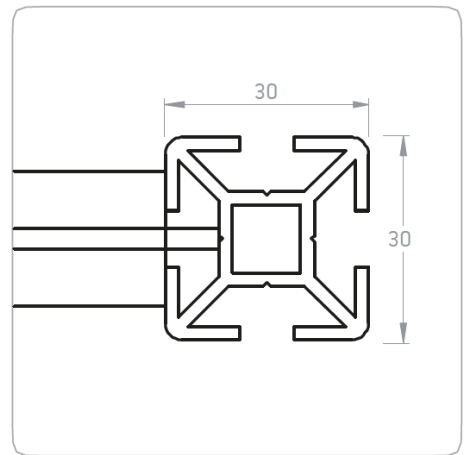
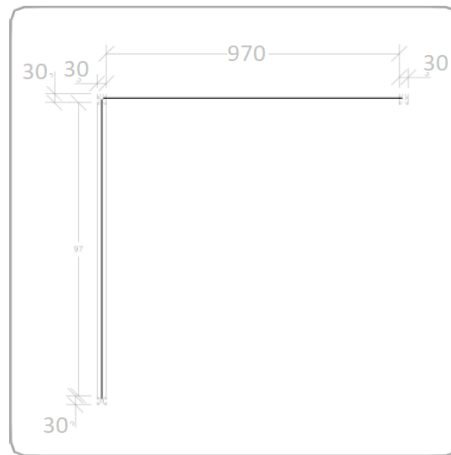
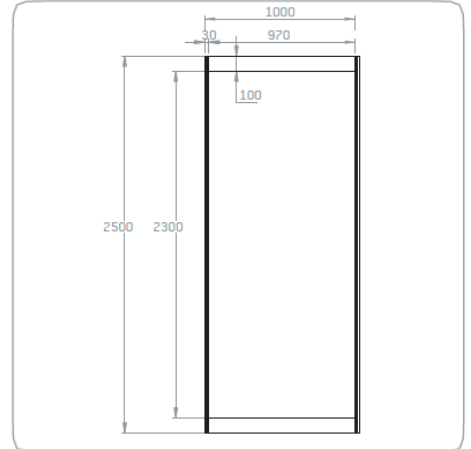
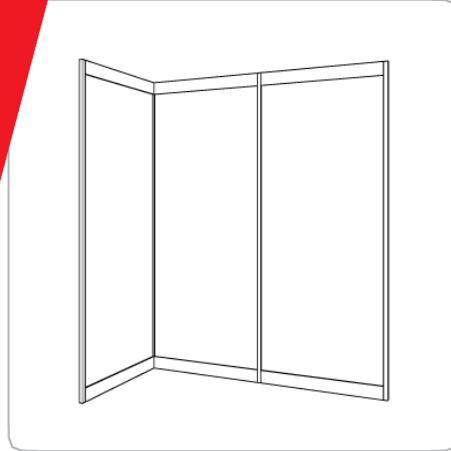
☎ 0031 20 549 1928  
[exhibitorservices@rai.nl](mailto:exhibitorservices@rai.nl)



# RAI AMSTERDAM

## 11-14 SEPTEMBER 2026

### Meeting Suite Package 1 Technical Drawing



### Meeting Suite Package 1 - Specifications

- White system wall element 970x2500x6mm
- Center to center dimensions 1000mm
- Aluminium pole 30x30x2500mm



All upgrade items can be booked via the [RAI Exhibitor Services Webshop](#).  
For questions, please contact the RAI Exhibitor Services department.

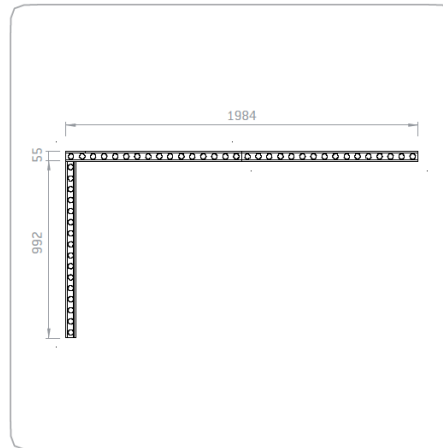
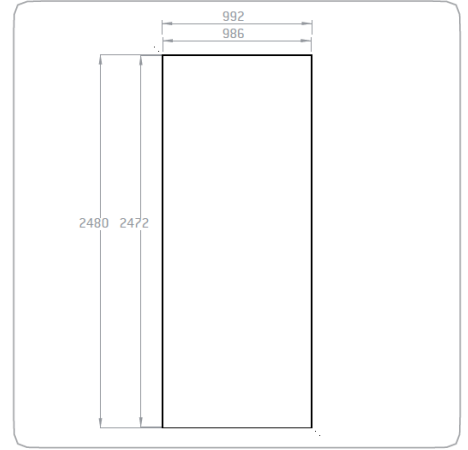
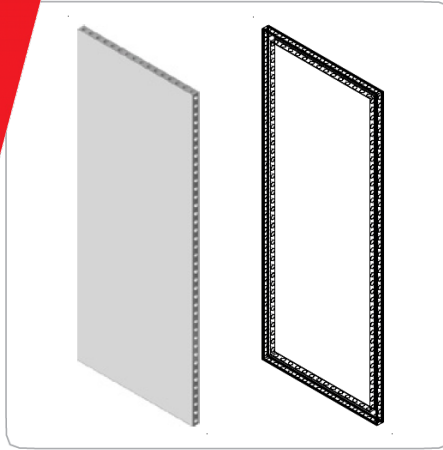
☎ 0031 20 549 1928  
[exhibitorservices@rai.nl](mailto:exhibitorservices@rai.nl)



# RAI AMSTERDAM

## 11-14 SEPTEMBER 2026

### Meeting Suite Package 2 Technical Drawing



### Meeting Suite Package 2 - Specifications

- White system wall element 992x2480x55mm
- Panel size 986x2472mm



All upgrade items can be booked via the [RAI Exhibitor Services Webshop](#).  
For questions, please contact the RAI Exhibitor Services department.

☎ 0031 20 549 1928  
[exhibitorservices@rai.nl](mailto:exhibitorservices@rai.nl)



# RAI AMSTERDAM

## 11-14 SEPTEMBER 2026

### Electricity

#### Power consumption list (for reference only)

Halogen lights 12v	50W
Fluorescent lights (max p. unit)	100W
Refrigerator (small)	500W
Refrigerator (large)	1000W
Freezer	2000W
Coffee machine (small)	1000W
Coffee machine (large)	3000W
Microwave	1200W
Kitchen rental unit	2x 3000W
Computer	400W
Laptop	500W
Plasma screen	650W
LCD television	200W
Video projector (large)	2500W
Copier machine	3000W
Dishwasher	3000W
Boiler	3000W
Kettle	1000W

\*1000W = 1 kW



All upgrade items can be booked via the [RAI Exhibitor Services Webshop](#).  
For questions, please contact the RAI Exhibitor Services department.

☎ 0031 20 549 1928  
[exhibitorservices@rai.nl](mailto:exhibitorservices@rai.nl)



**RAI AMSTERDAM**  
**11-14 SEPTEMBER 2026**



**IBC2026**

**Rate Card**

**Power**

[Daytime power 3 kW \(incl. double wall socket\)](#)

[Daytime power 10 kW \(incl. CEE 16A\)](#)

[Continuous power 3 kW \(incl. double wall socket\)](#)

[Continuous power 10 kW \(incl. CEE 16A\)](#)

[Additional wall socket \(excl. daytime power\)](#)

[Power during build-up and breakdown](#)

**Internet**

[2 Mbps internet connection](#)

[10 Mbps internet connection](#)

**AV**

[55" Touchscreen](#)

[55" LED 4K screen](#)

**Cleaning**

[Upgrade to all-inclusive stand cleaning](#)


[Residual waste container \(1 m<sup>3</sup>\)](#)

**Graphics**

[Seamless graphic 250cm high 315euro per linear meter](#)



All upgrade items can be booked via the [RAI Exhibitor Services Webshop](#).  
For questions, please contact the RAI Exhibitor Services department.

 0031 20 549 1928  
[exhibitorservices@rai.nl](mailto:exhibitorservices@rai.nl)

**rai**  
AMSTERDAM