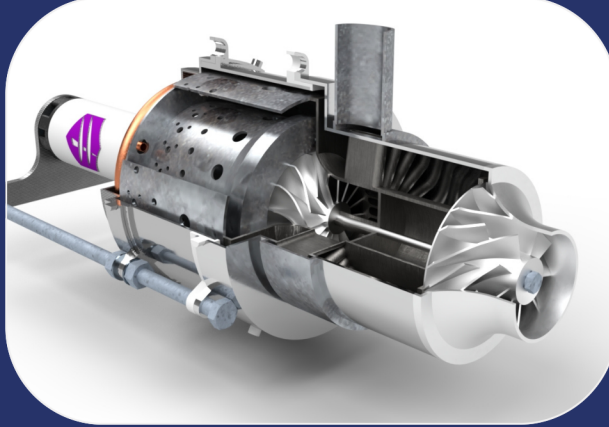




IGNITING A BRIGHTER FUTURE OF ENERGY WITH MICRO GAS TURBINES



HyperGen Ltd

Sustainable Bio Energy

📍 Cranfield University, Bedfordshire

🌐 www.hypergen.co.uk

✉ info@hypergen.co.uk



IMPROVING AGRICULTURAL MARGINS AND SUSTAINABILITY

Farmer's are struggling with;

- Effects of climate change
- Changing regulations because of climate change
- Low cost imports
- Reduced margins from high energy prices

HyperGen's solution provides resilience and improved sustainability without increasing costs

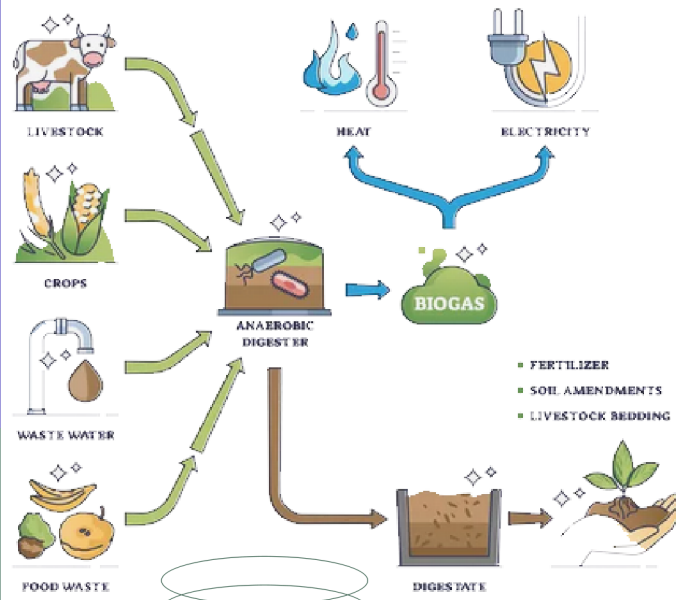


CLEAN ENERGY FOR ALL

HyperGen's Micro Turbine alternative fuel architecture is compatible with lots of alternative fuels, e.g.:

- Biomethane
- Biomethanol
- Hydrogen
- Synthetic Hydrocarbons

BIOGAS



ABOUT US

We're developing the first one size fits all power generation solution for micro grid applications that is affordable, reliable and sustainable



TECHNOLOGY

HyperGen's Technology is a high efficiency, multi fuel, power generator designed to replace diesel generators with a transition friendly approach by being easily able to adopt alternative, more sustainable fuels



WHY MICRO GAS TURBINES



MULTI FUEL CAPABILITY

Jet engines are easier to multi fuel than piston engines or fuel cells, therefore easier to transition to sustainable fuels



SIMPLICITY & RELIABILITY

Micro Gas Turbines are simple with only one moving part and have life spans ~2x longer than piston generators



POWER

Brayton Cycle engines produce more power for the same weight and are easier to transport



RECYCLING

Broadly made from common materials which are easy to recycle compared to wind or solar