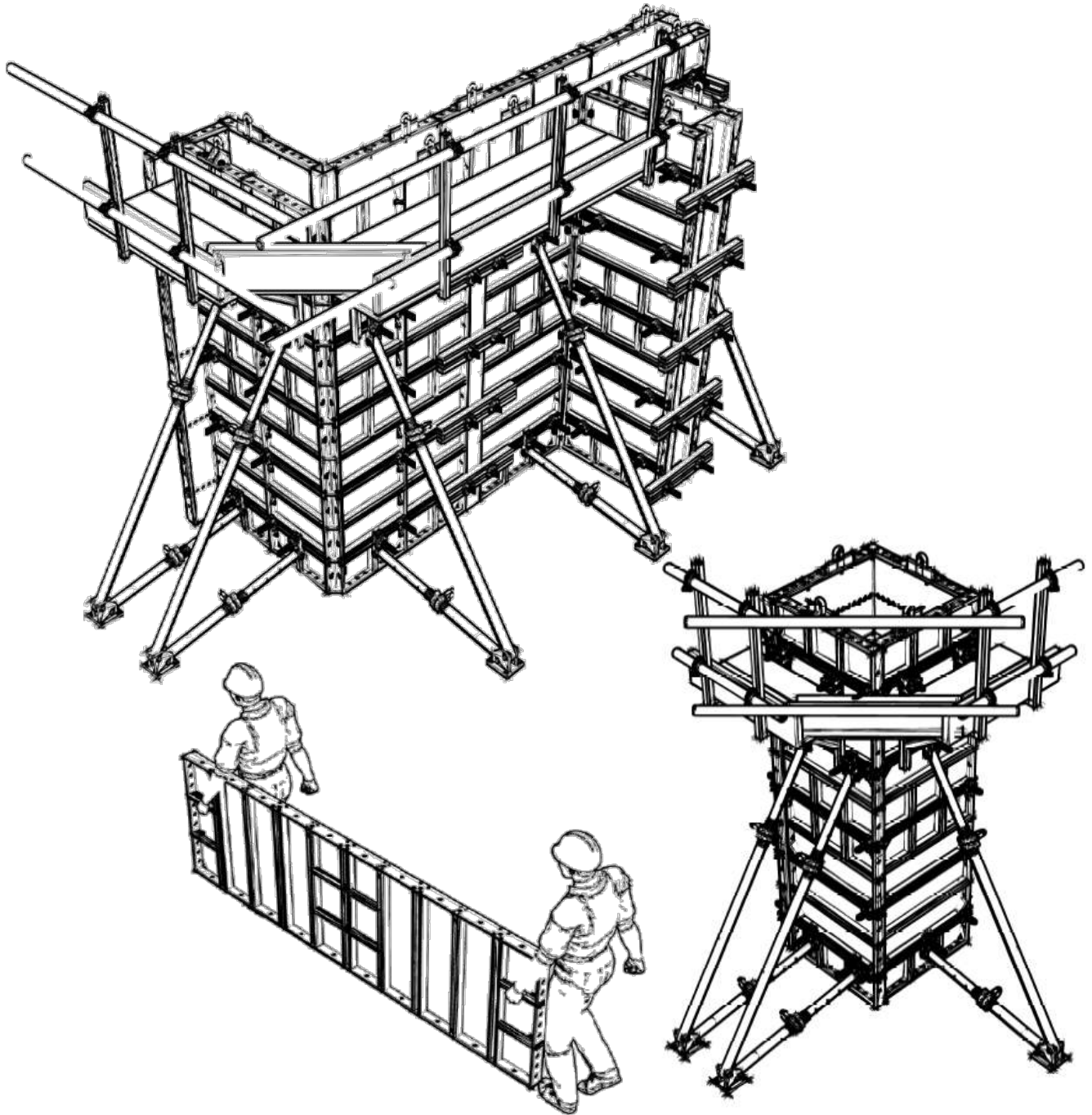


# System Technical Data Sheet



## Steel Panel Formwork-80 (SPF-80 System)



SCAFFCO FZCO  
P.O. BOX No: 18234  
JEBEL ALI FREE ZONE, DUBAI U.A.E  
TEL: +971 4 8862855  
FAX: +971 4 8862558  
EMAIL: info@scaffco.com



SCAFFOLDING CONSTRUCTION FACTORY- SCAFFCO L.L.C.  
P.O. BOX No: 41851  
ICAD I, MUSSAFAH, ABU DHABI U.A.E  
TEL: +971 2 5500688  
FAX: +971 2 5500689  
EMAIL: info@scaffco.com



SCAFFOLDING CONSTRUCTION COMPANY - SCAFFCO L.L.C.  
P.O. BOX No: 41851  
ICAD I, MUSSAFAH, ABU DHABI U.A.E  
TEL: +971 2 5500688  
FAX: +971 2 5500689  
EMAIL: info@scaffco.com

### Table of Contents

<b>SYSTEM DESCRIPTION</b> .....	<b>2</b>
<b>EXAMPLE OF USE</b> .....	<b>3</b>
<b>PANEL STACKING SAMPLE COMBINATION</b> .....	<b>4</b>
<b>CONNECTION DETAILS</b> .....	<b>5</b>
<b>SPF-80 PANEL SYSTEM SIZES AND DETAILS</b> .....	<b>6</b>
<b>COLUMN APPLICATION</b> .....	<b>8</b>
COLUMN FORMWORK.....	9
<i>Adjustable Width and Length Column Arrangement (Wind Mill)</i> .....	10
<i>Adjustable Width Column Arrangement (I-Shaped)</i> .....	11
<i>Fixed Size Column Arrangement</i> .....	12
<b>WALL APPLICATION</b> .....	<b>13</b>
WALL FORMWORK.....	13
<i>T-Connection Details</i> .....	14
<i>Corner Connection Details</i> .....	14
<i>End-Shutter Connection Details</i> .....	15
<i>Single-Side Wall with Supporting Frame System</i> .....	17
<b>FOUNDATION FOOTING APPLICATION</b> .....	<b>18</b>
<i>Footing with Tie Rod Connection Details</i> .....	18
<i>Footing with Foundation Support Frame Connection Details</i> .....	19
<b>TIE BEAM APPLICATION</b> .....	<b>20</b>
<i>Tie Beam Connection Details</i> .....	20

# SPF-80 Formwork System

## System Technical Data Sheet



### System Description

SPF-80 is a light weight column and wall formwork system. It is a tailor-made panel system design to used on different applications with excellent concrete finishing.

SPF-80 is ideal for fast, cost-effective forming both with and without a crane. The versatile panel sizes make it flexible to all site requirements. It can be stacked upright, horizontally and vertically to meet the required height and width.

#### Main Features:

- 50mm c/c hole provided in the strut channel ribs for easy adjustment.
- Simplified fasten accessories.
- Reduced number of accessories.
- Robust steel frame with durable corner connection to guarantees the longer life span of the panels.
- Easy to repair.
- Integrated handles for easy handling.
- High quality 18mm plywood with edge protected for longer use.
- Panel width 900mm allowable pressure 40kN/m<sup>2</sup>.
- Panel width 600mm and 300mm allowable pressure 80kN/m<sup>2</sup>.

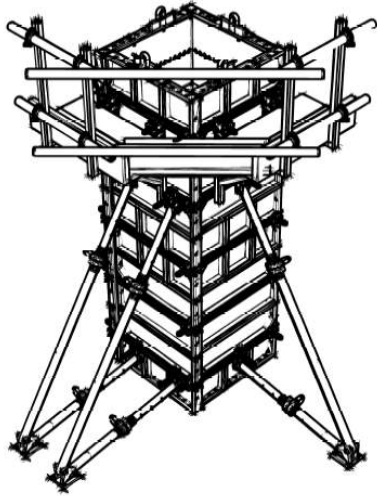
THE INFORMATION ON THIS DATA SHEET REMAINS THE PROPERTY OF SCAFFCO. AND IS NOT TO BE REPRODUCED WITHOUT WRITTEN PERMISSION. WE RESERVE THE RIGHT TO AMEND THIS DATA AT ANY TIME WITHOUT PRIOR NOTICE.	Issue No:	01	Control No:	TDS-XXX001
	Issue Date:	September 2021	Page No:	2

# SPF-80 Formwork System

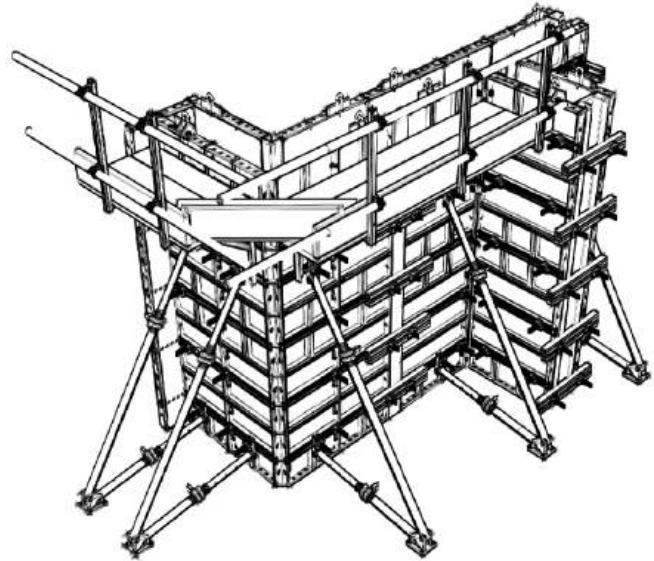
## System Technical Data Sheet



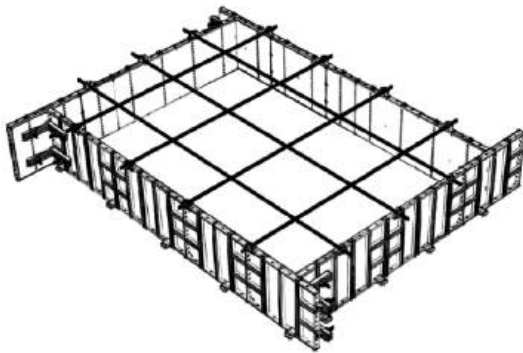
### Example of Use



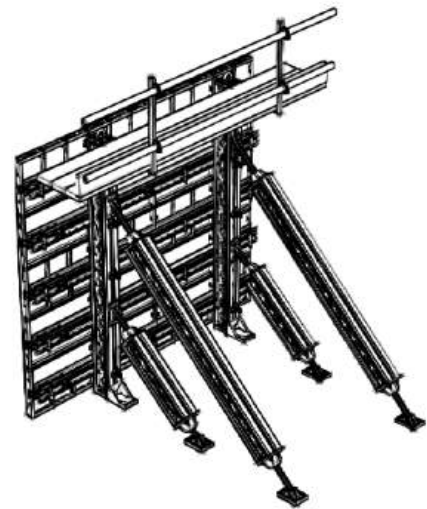
**Column Formwork**



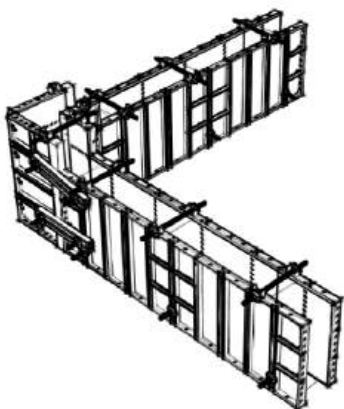
**Double-Side Wall Formwork**



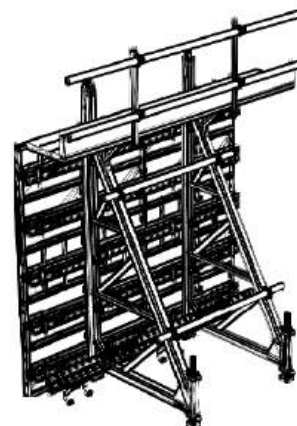
**Foundation Footing Formwork**



**Steel Soldier Single-Side Wall Formwork**



**Tie Beam Formwork**



**Supporting Frame Single-Side Wall Formwork**

THE INFORMATION ON THIS DATA SHEET REMAINS THE PROPERTY OF SCAFFCO, AND IS NOT TO BE REPRODUCED WITHOUT WRITTEN PERMISSION. WE RESERVE THE RIGHT TO AMEND THIS DATA AT ANY TIME WITHOUT PRIOR NOTICE.

Issue No: 01

Issue Date: September 2021

Control No: TDS-XXX001

Page No: 3

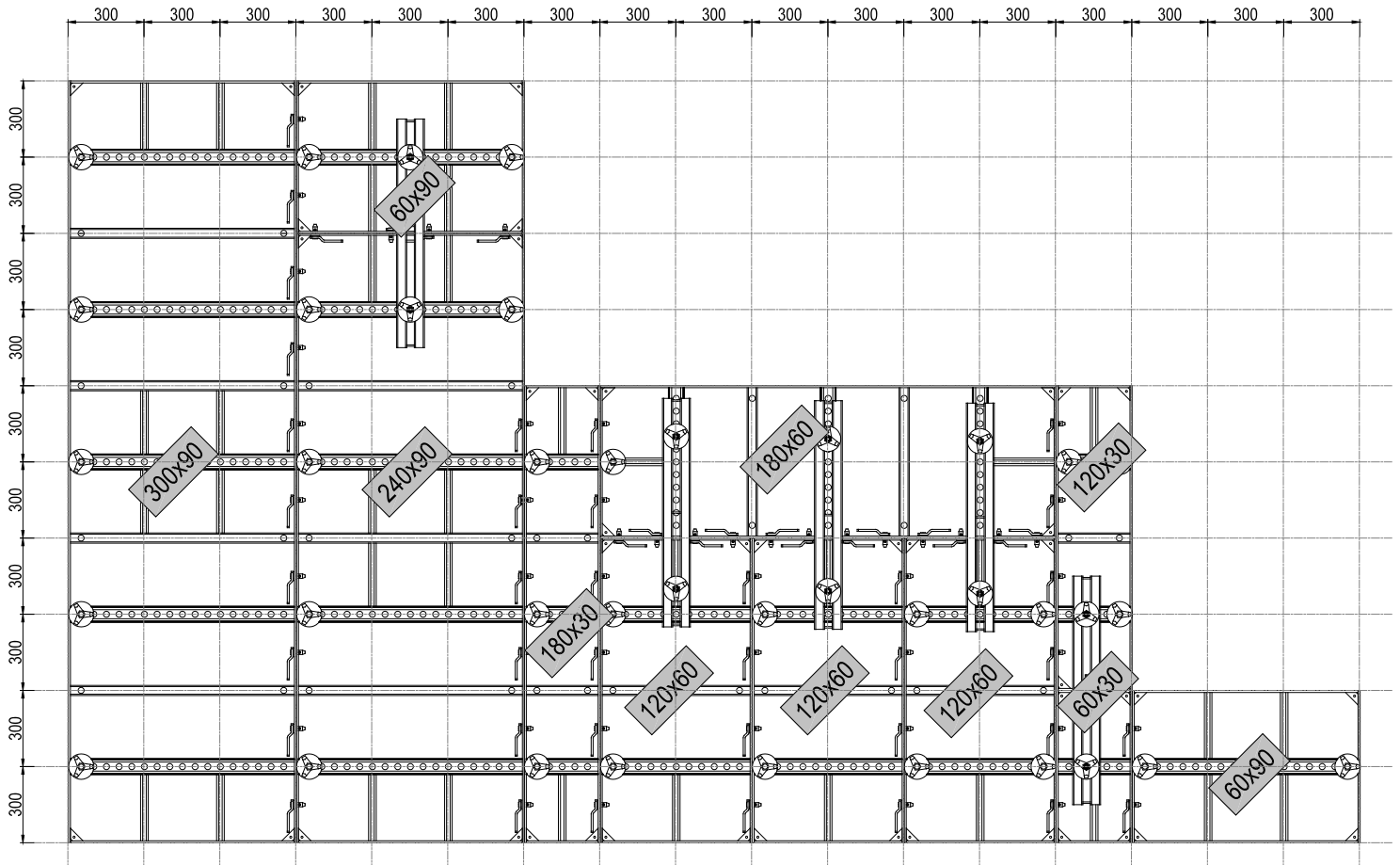
# SPF-80 Formwork System

## System Technical Data Sheet

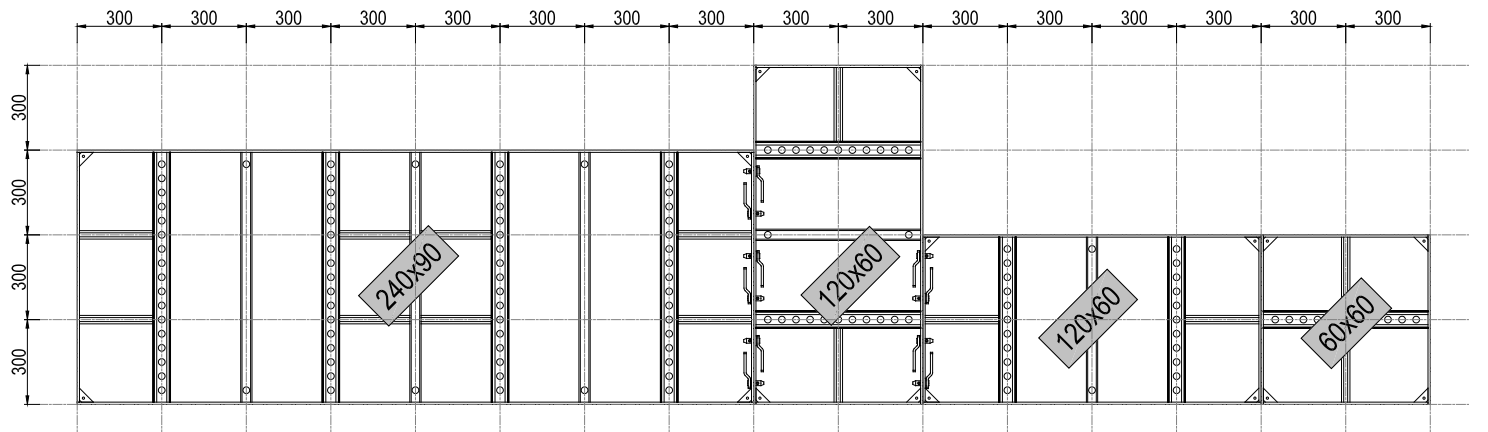


### Panel Stacking Sample Combination

#### Vertical Stacking



#### Horizontal Stacking



THE INFORMATION ON THIS DATA SHEET REMAINS THE PROPERTY OF SCAFFCO, AND IS NOT TO BE REPRODUCED WITHOUT WRITTEN PERMISSION. WE RESERVE THE RIGHT TO AMEND THIS DATA AT ANY TIME WITHOUT PRIOR NOTICE.

Issue No: 01  
Issue Date: September 2021

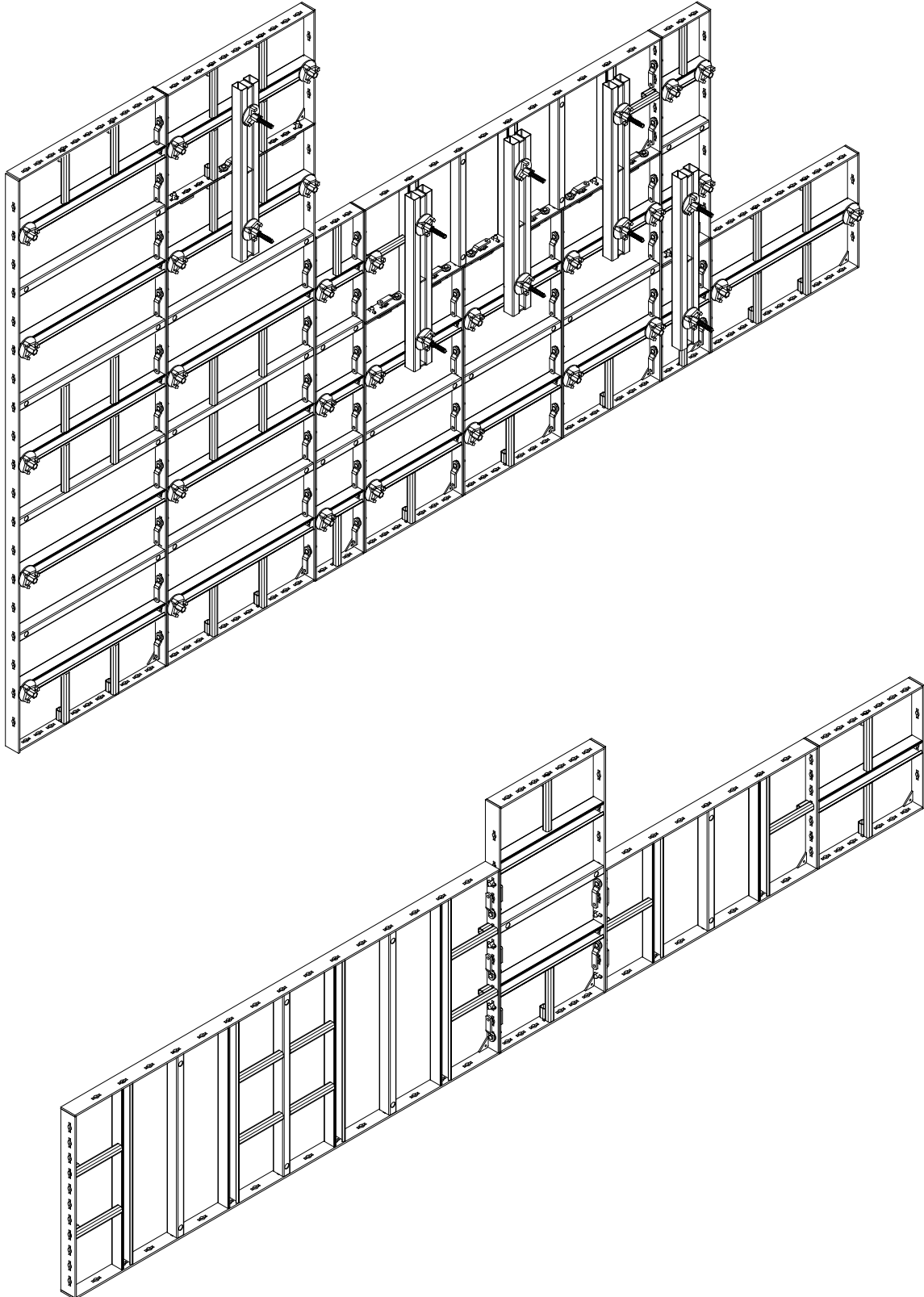
Control No: TDS-XXX001  
Page No: 4

# SPF-80 Formwork System

## System Technical Data Sheet



### Connection Details



THE INFORMATION ON THIS DATA SHEET REMAINS THE PROPERTY OF SCAFFCO. AND IS NOT TO BE REPRODUCED WITHOUT WRITTEN PERMISSION. WE RESERVE THE RIGHT TO AMEND THIS DATA AT ANY TIME WITHOUT PRIOR NOTICE.

Issue No: 01  
Issue Date: September 2021

Control No: TDS-XXX001  
Page No: 5

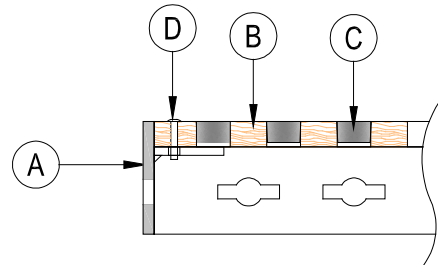
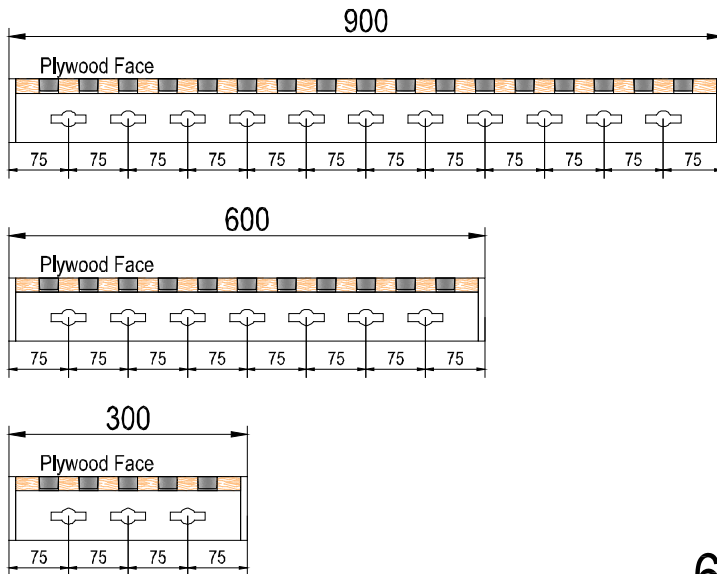
# SPF-80 Formwork System

## System Technical Data Sheet



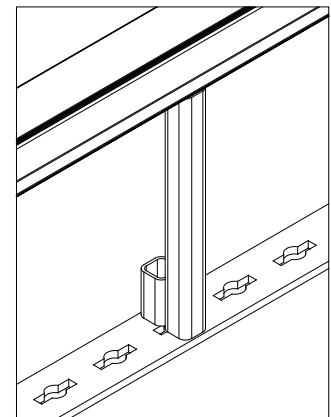
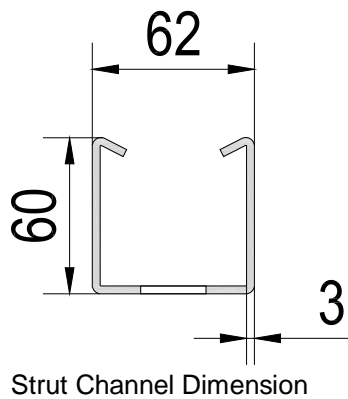
### SPF-80 Panel System Sizes and Details

#### SPF-80 Widths



- A. MS Flat Bar 80x8mm Steel Frame
- B. 18mm Plywood
- C. Tie Rod Hole with Plastic Plug
- D. Blind Rivet

#### SPF-80 Heights



Integrated Handle

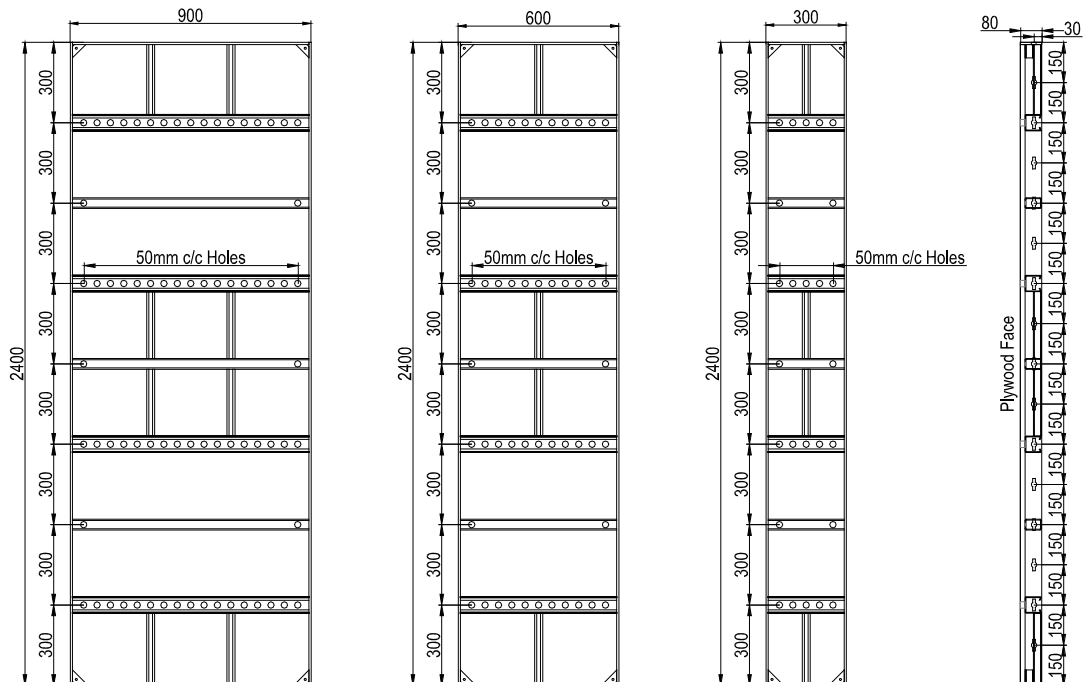
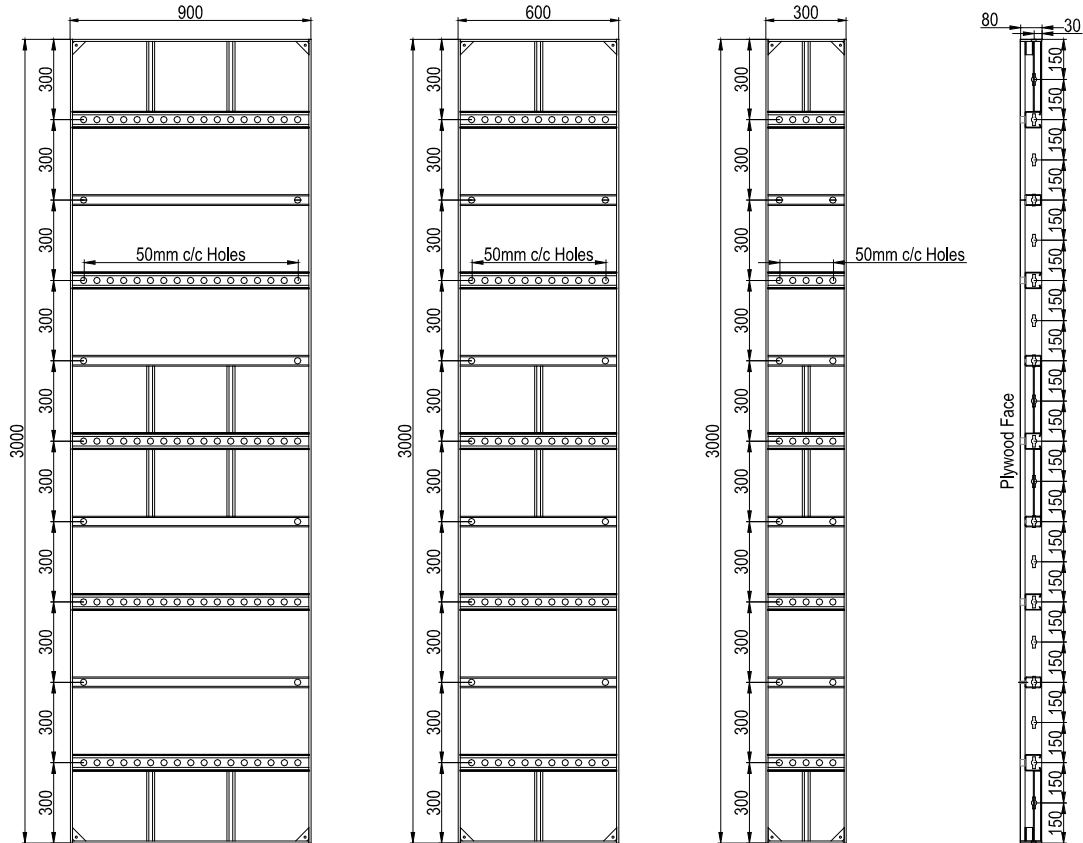
# SPF-80 Formwork System

## System Technical Data Sheet



### SPF-80 Panel System Sizes and Details

#### SPF-80 Height



THE INFORMATION ON THIS DATA SHEET REMAINS THE PROPERTY OF SCAFFCO. AND IS NOT TO BE REPRODUCED WITHOUT WRITTEN PERMISSION. WE RESERVE THE RIGHT TO AMEND THIS DATA AT ANY TIME WITHOUT PRIOR NOTICE.

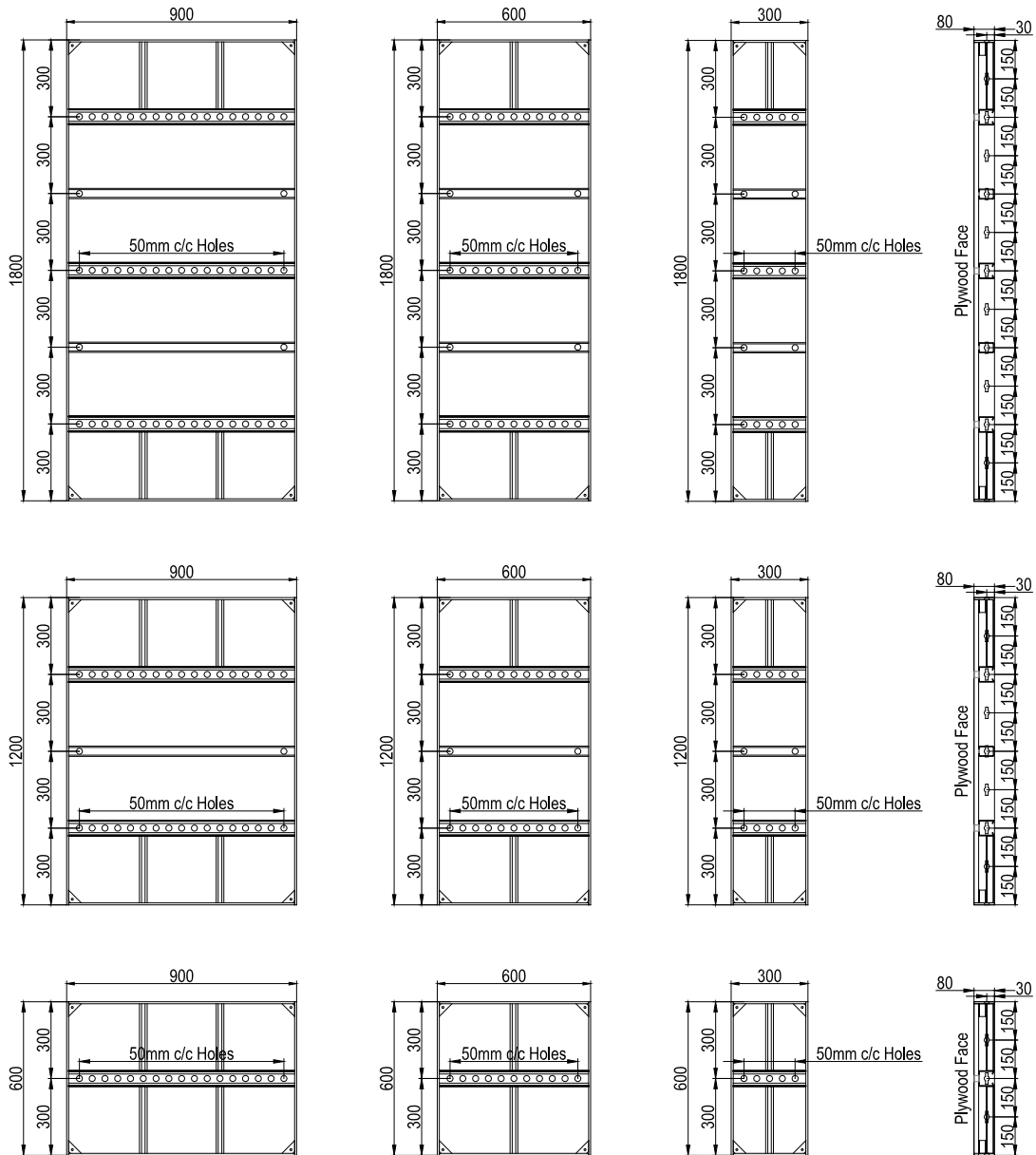
Issue No: 01  
Issue Date: September 2021

Control No: TDS-XXX001  
Page No: 7



# SPF-80 Formwork System

## System Technical Data Sheet



THE INFORMATION ON THIS DATA SHEET REMAINS THE PROPERTY OF SCAFFCO, AND IS NOT TO BE REPRODUCED WITHOUT WRITTEN PERMISSION. WE RESERVE THE RIGHT TO AMEND THIS DATA AT ANY TIME WITHOUT PRIOR NOTICE.

Issue No:	01	Control No:	TDS-XXX001
Issue Date:	September 2021	Page No:	8

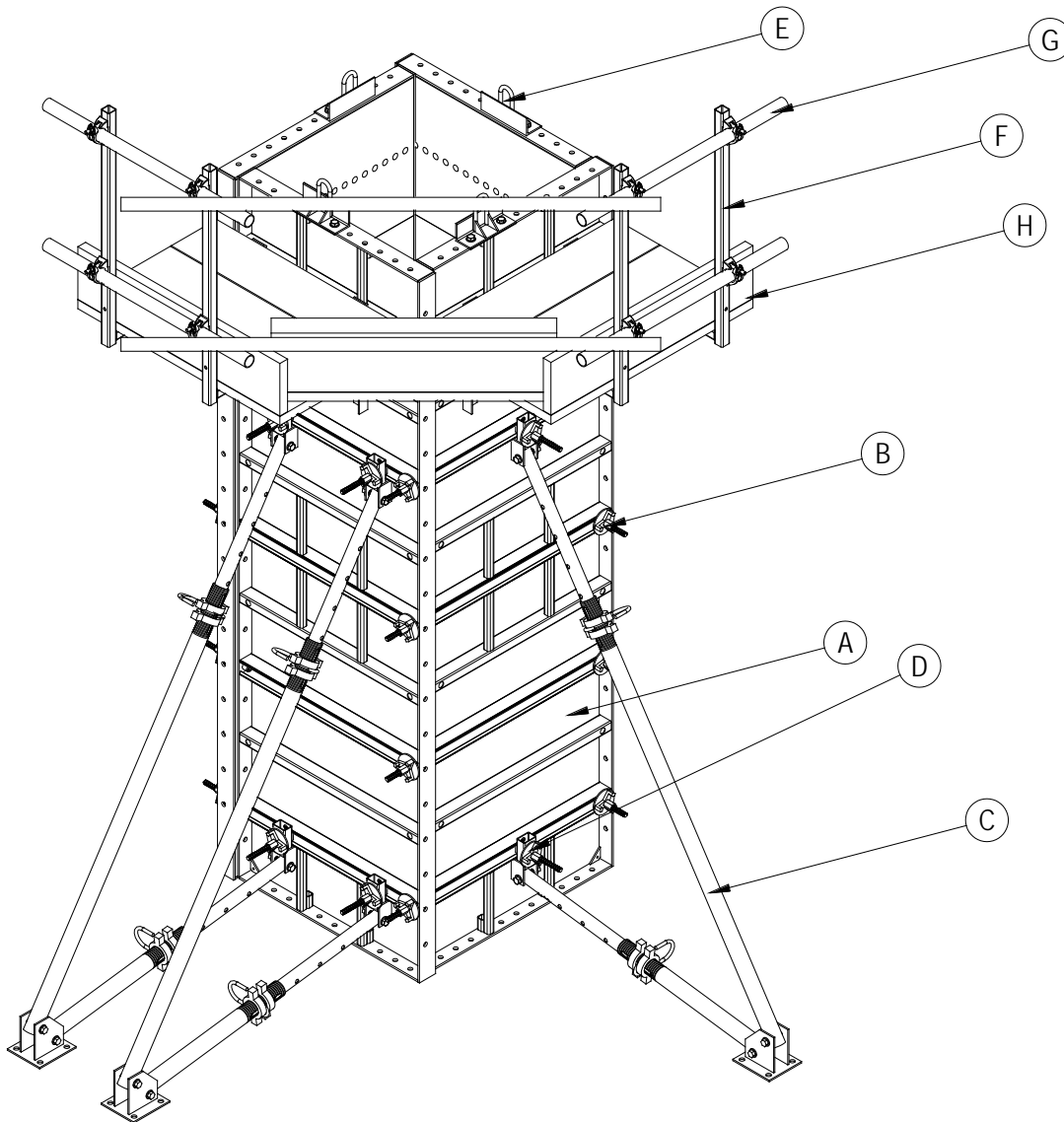
# SPF-80 Formwork System

## System Technical Data Sheet



### Column Application

#### Column Formwork



- A. SPF-80 Panel
- B. Panel Connector
- C. Double Push/Pull Adjustable Props (anchor bolt provide by site)
- D. Prop Connector
- E. Lifting Bracket
- F. Access Bracket
- G. Scaffold Tube
- H. Timber Planks (provide by site)

THE INFORMATION ON THIS DATA SHEET REMAINS THE PROPERTY OF SCAFFCO. AND IS NOT TO BE REPRODUCED WITHOUT WRITTEN PERMISSION. WE RESERVE THE RIGHT TO AMEND THIS DATA AT ANY TIME WITHOUT PRIOR NOTICE.

Issue No:	01	Control No:	TDS-XXX001
Issue Date:	September 2021	Page No:	9

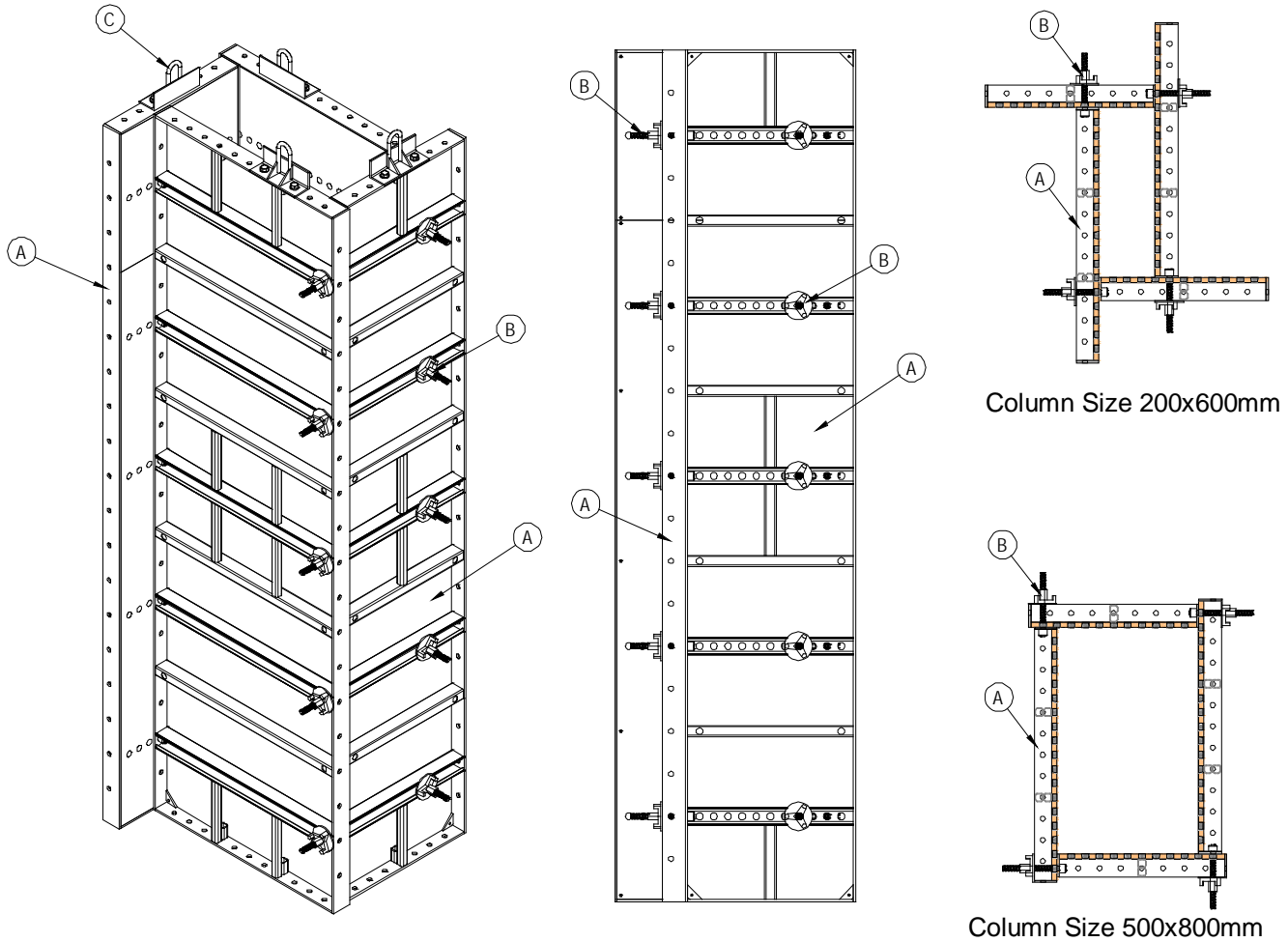
# SPF-80 Formwork System

## System Technical Data Sheet



### Column Application

#### Adjustable Width and Length Column Arrangement (Wind Mill)



- A. SPF-80 Panel
- B. Panel Connector
- C. Panel Lifting Bracket

THE INFORMATION ON THIS DATA SHEET REMAINS THE PROPERTY OF SCAFFCO. AND IS NOT TO BE REPRODUCED WITHOUT WRITTEN PERMISSION. WE RESERVE THE RIGHT TO AMEND THIS DATA AT ANY TIME WITHOUT PRIOR NOTICE.

Issue No: 01

Issue Date: September 2021

Control No: TDS-XXX001

Page No: 10

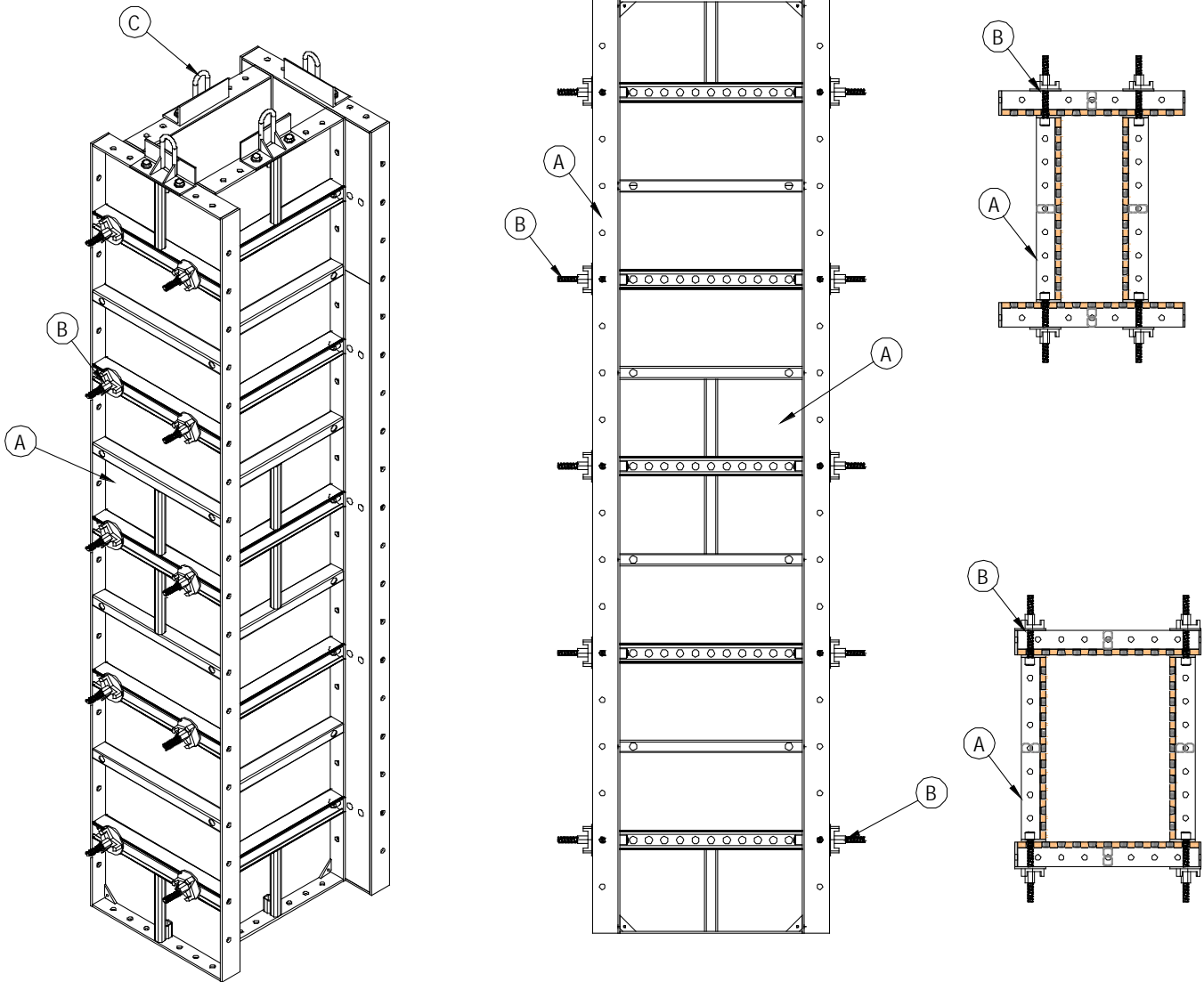
# SPF-80 Formwork System

## System Technical Data Sheet



### Column Application

#### Adjustable Width Column Arrangement (I-Shaped)



- A. SPF-80 Panel
- B. Panel Connector
- C. Panel Lifting Bracket

THE INFORMATION ON THIS DATA SHEET REMAINS THE PROPERTY OF SCAFFCO. AND IS NOT TO BE REPRODUCED WITHOUT WRITTEN PERMISSION. WE RESERVE THE RIGHT TO AMEND THIS DATA AT ANY TIME WITHOUT PRIOR NOTICE.

Issue No: 01

Issue Date: September 2021

Control No: TDS-XXX001

Page No: 11

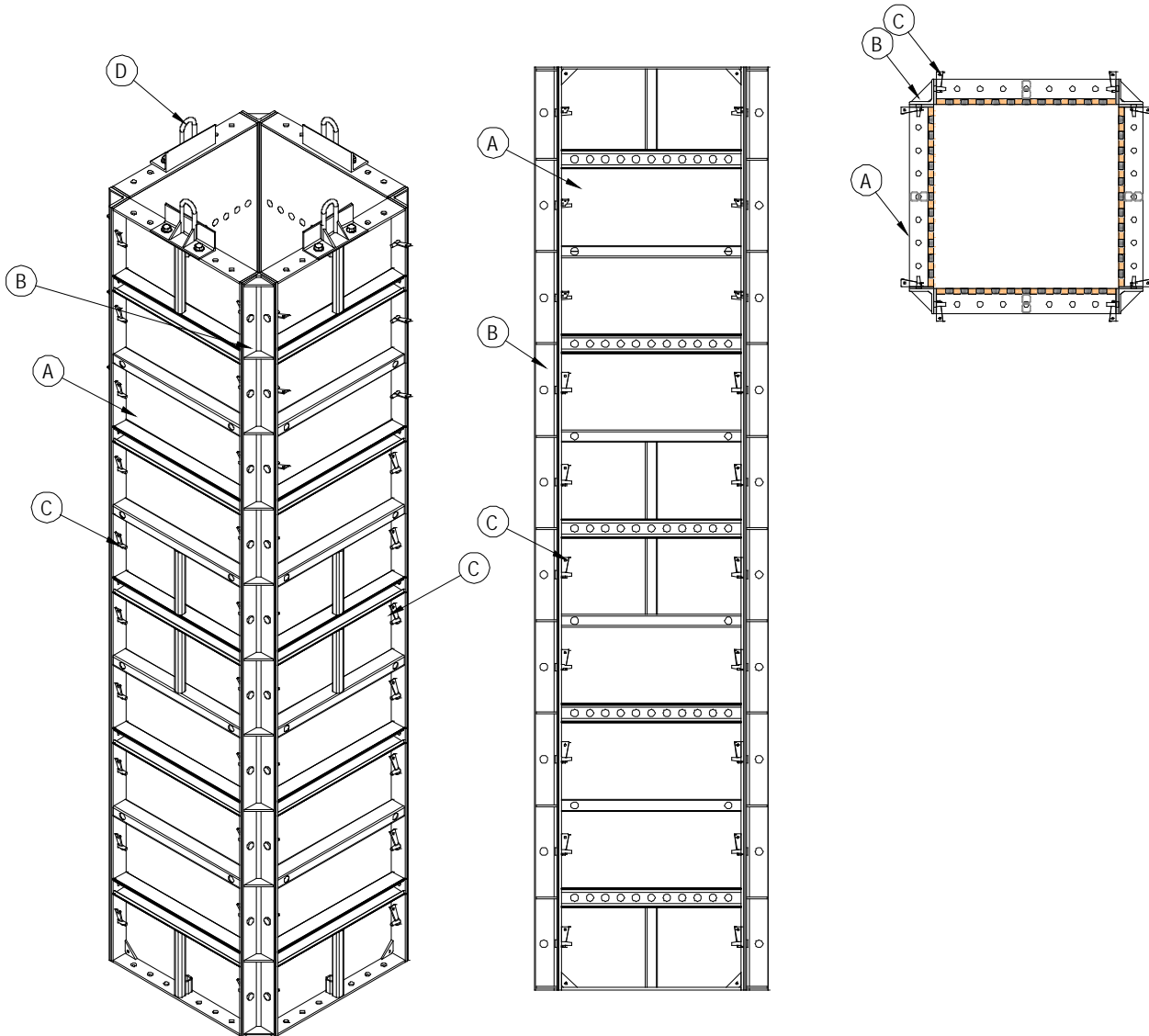
# SPF-80 Formwork System

## System Technical Data Sheet



### Column Application

#### Fixed Size Column Arrangement



- A. SPF-80 Panel
- B. External Corner Angle
- C. Wedge Pin
- D. Panel Lifting Bracket

THE INFORMATION ON THIS DATA SHEET REMAINS THE PROPERTY OF SCAFFCO. AND IS NOT TO BE REPRODUCED WITHOUT WRITTEN PERMISSION. WE RESERVE THE RIGHT TO AMEND THIS DATA AT ANY TIME WITHOUT PRIOR NOTICE.

Issue No: 01

Issue Date: September 2021

Control No: TDS-XXX001

Page No: 12

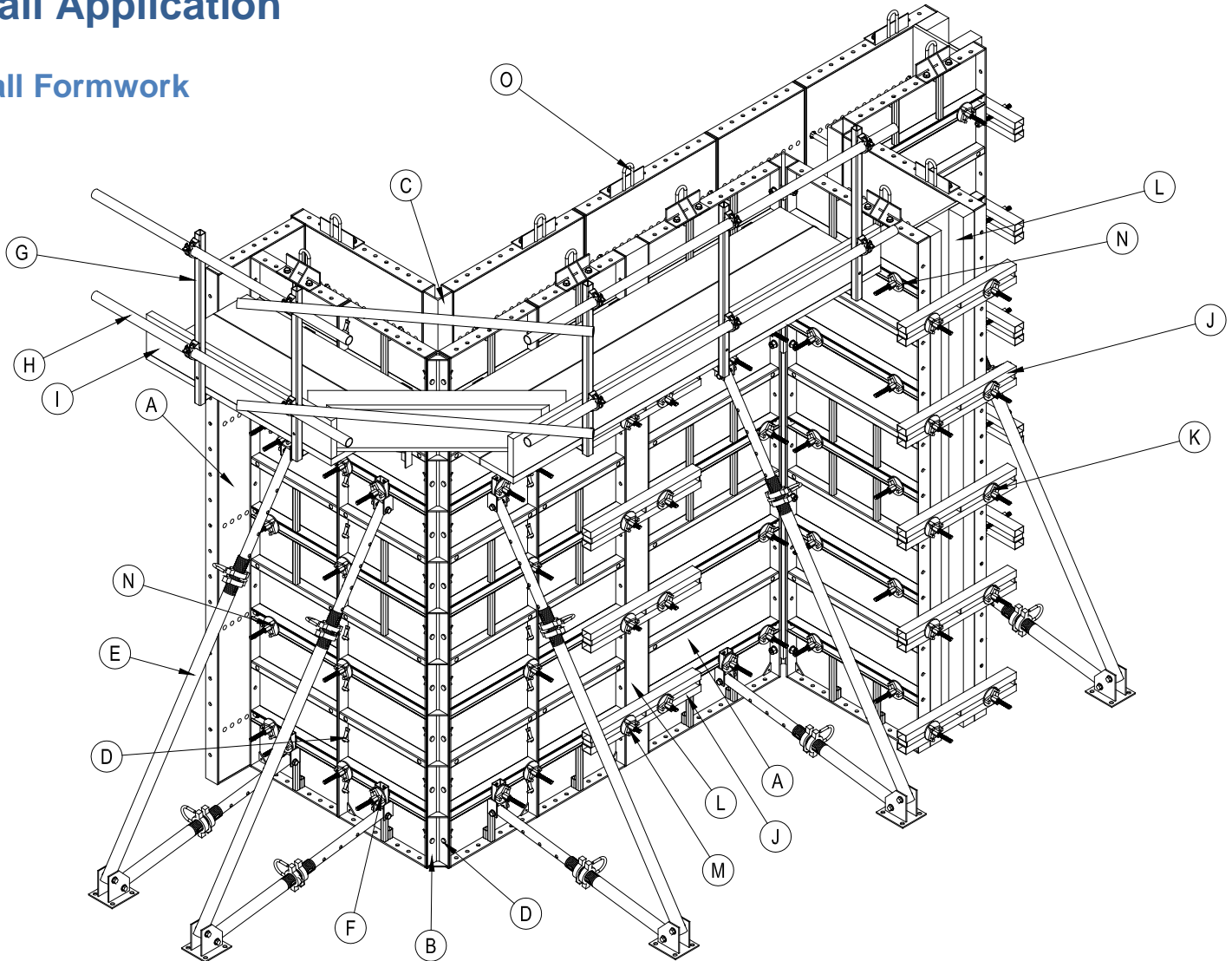
# SPF-80 Formwork System

## System Technical Data Sheet



### Wall Application

#### Wall Formwork



- A. SPF-8 Panel
- B. External Corner Angle
- C. Internal Corner Angle
- D. Wedge Pin
- E. Double Push/Pull Adjustable Props
- F. Prop Bracket
- G. Access Bracket
- H. Scaffold Tube
- I. Timber Planks ( provide by site)
- J. Steel Waler
- K. Panel Connector
- L. Timber and Plywood ( provide by site)
- M. T-Head Connector
- N. Tie form accessories
- O. Lifting bracket

THE INFORMATION ON THIS DATA SHEET REMAINS THE PROPERTY OF SCAFFCO. AND IS NOT TO BE REPRODUCED WITHOUT WRITTEN PERMISSION. WE RESERVE THE RIGHT TO AMEND THIS DATA AT ANY TIME WITHOUT PRIOR NOTICE.

Issue No: 01

Issue Date: September 2021

Control No: TDS-XXX001

Page No: 13

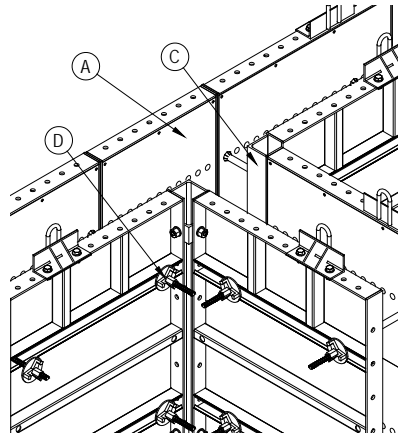
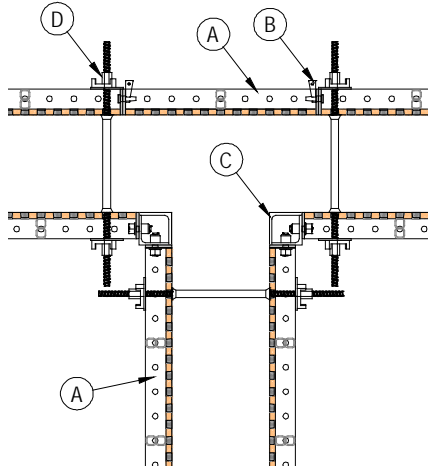
# SPF-80 Formwork System

## System Technical Data Sheet



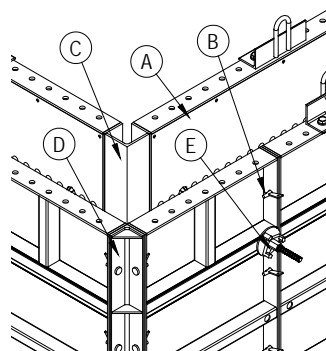
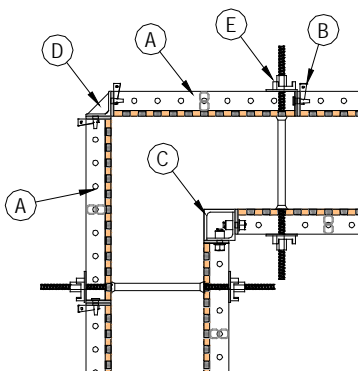
### Wall Application

#### T-Connection Details



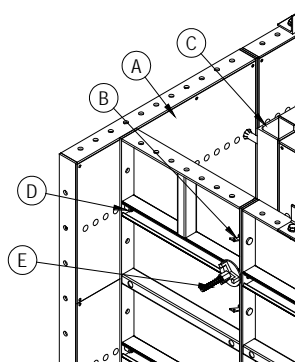
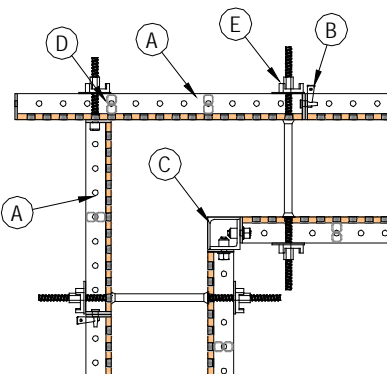
- A. SPF-80 Panel
- B. Wedge Pin
- C. Internal Corner Angle
- D. Tie Form

#### Corner Connection Details



- A. SPF-80 Panel
- B. Wedge Pin
- C. Internal Corner Angle
- D. External Corner Angle
- E. Tie Form

Corner Connection with External Corner Angle



- A. SPF-80 Panel
- B. Wedge Pin
- C. Internal Corner Angle
- D. Panel Connector
- E. Tie Form

Corner Connection with Panel Connector

THE INFORMATION ON THIS DATA SHEET REMAINS THE PROPERTY OF SCAFFCO. AND IS NOT TO BE REPRODUCED WITHOUT WRITTEN PERMISSION. WE RESERVE THE RIGHT TO AMEND THIS DATA AT ANY TIME WITHOUT PRIOR NOTICE.

Issue No: 01

Issue Date: September 2021

Control No: TDS-XXX001

Page No: 14

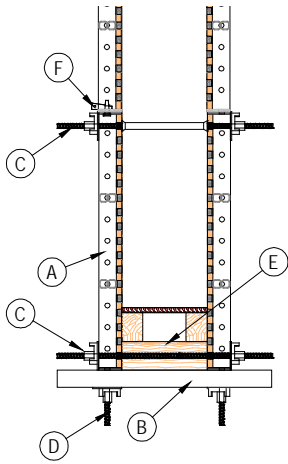
# SPF-80 Formwork System

## System Technical Data Sheet

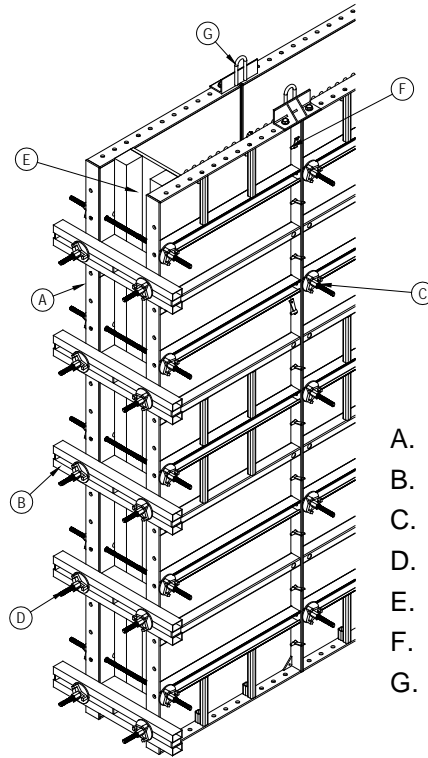


### Wall Application

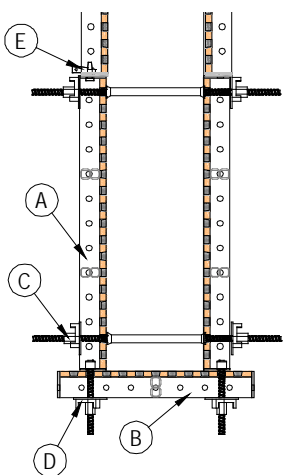
#### End-Shutter Connection Details



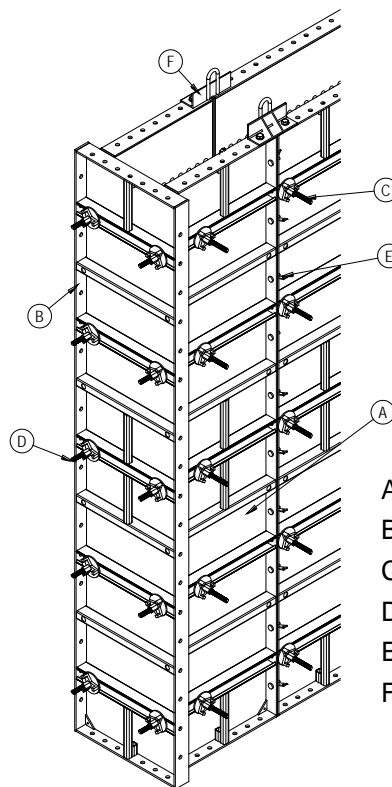
End-Shutter Connection Steel Waler and Timber



- A. SPF-80 Panel
- B. Steel Waler
- C. Tie Form
- D. Panel Connector
- E. Timber & Plywood (provide by site)
- F. Wedge Pin
- G. Lifting Bracket



End-Shutter Connection using SPF-80 Panel



- A. SPF-80 Panel
- B. SPF-80 Panel (End Panel)
- C. Tie Form
- D. Panel Connector
- E. Wedge Pin
- F. Lifting Bracket



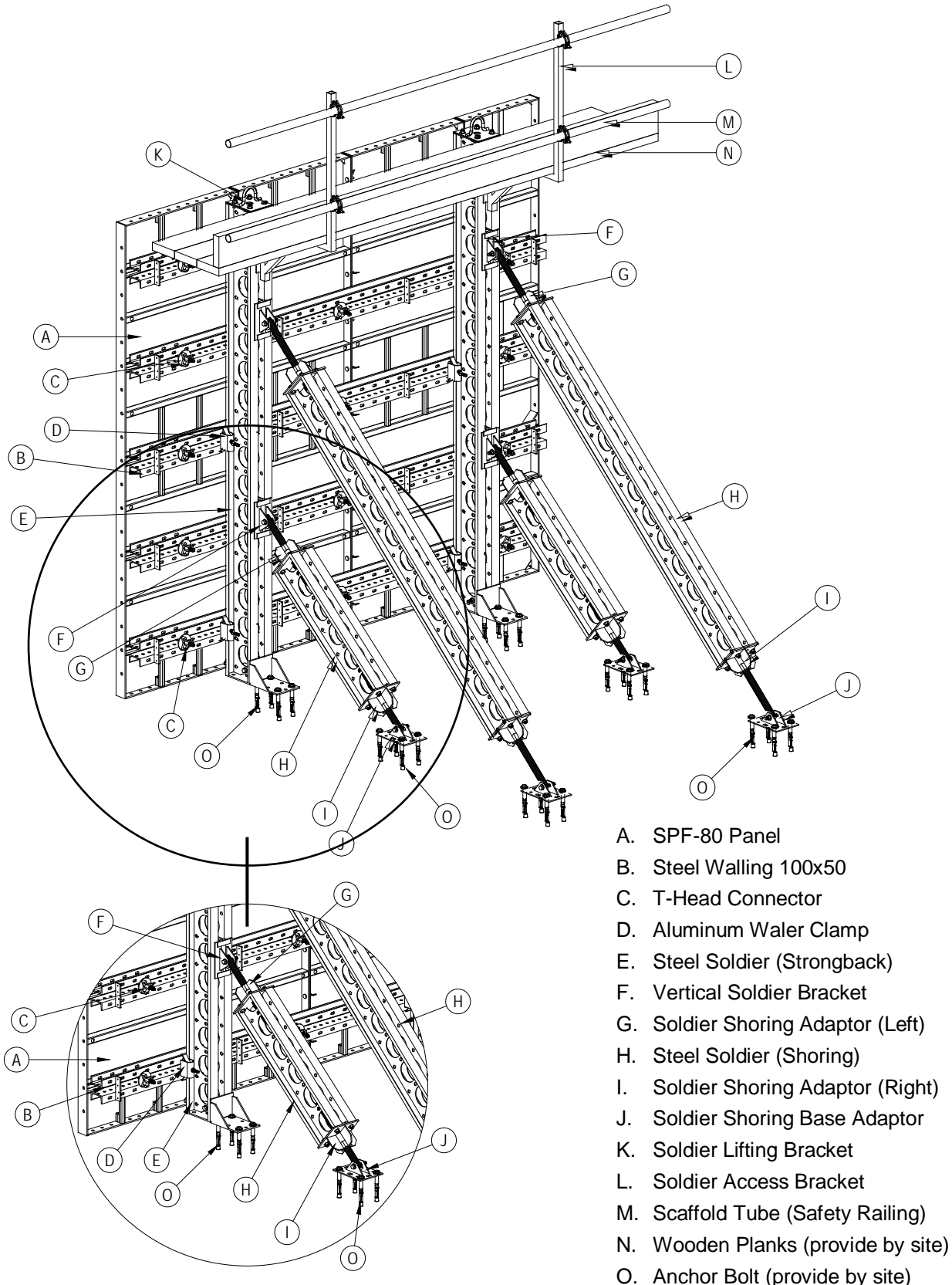
# SPF-80 Formwork System

## System Technical Data Sheet



### Wall Application

#### Single-Side Wall with Steel Soldier System



THE INFORMATION ON THIS DATA SHEET REMAINS THE PROPERTY OF SCAFFCO, AND IS NOT TO BE REPRODUCED WITHOUT WRITTEN PERMISSION. WE RESERVE THE RIGHT TO AMEND THIS DATA AT ANY TIME WITHOUT PRIOR NOTICE.

Issue No: 01

Issue Date: September 2021

Control No: TDS-XXX001

Page No: 16

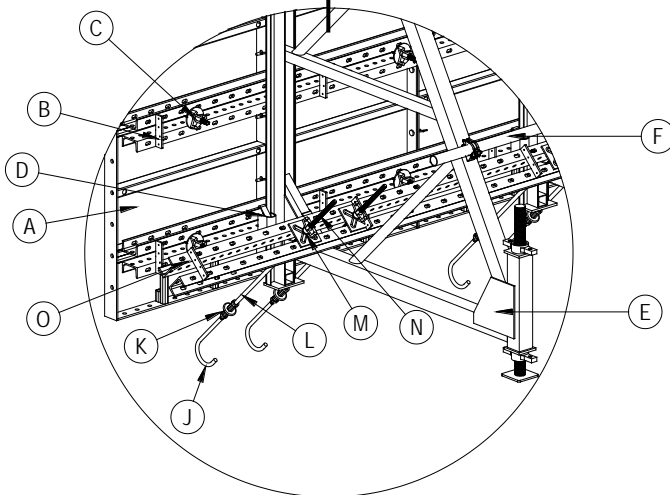
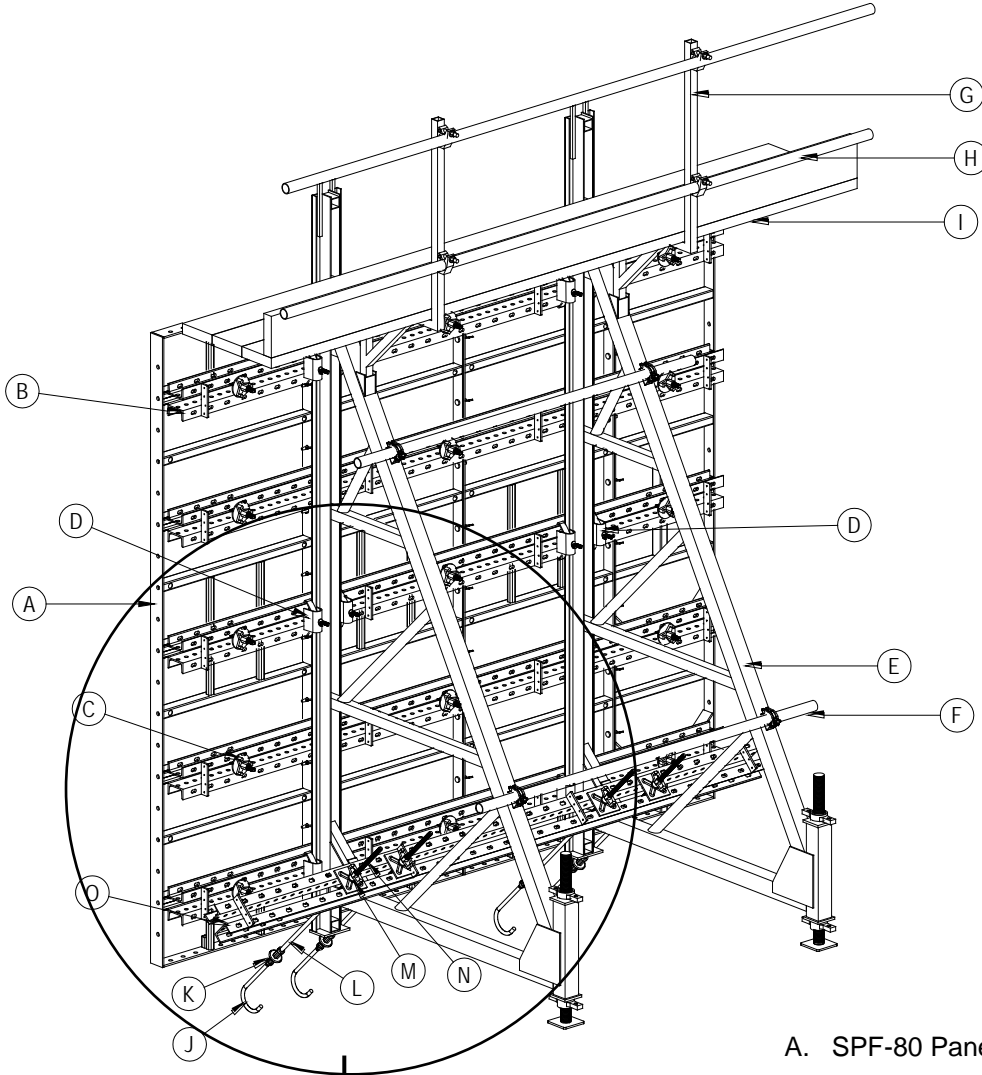
# SPF-80 Formwork System

## System Technical Data Sheet



### Wall Application

#### Single-Side Wall with Supporting Frame System



- A. SPF-80 Panel
- B. Steel Walling 100x50
- C. T-Head Connector
- D. Aluminum Water Clamp
- E. Supporting Frame
- F. Scaffold Tube (frame bracing)
- G. Casting Bracket
- H. Scaffold Tube (Safety Railing)
- I. Wooden Planks (provide by site)
- J. Anchor Hook (lost item)
- K. Water Stopper with Reducer (lost item)
- L. Plastic Sleeve (lost item)
- M. Anchor Nut
- N. Tie Rod

THE INFORMATION ON THIS DATA SHEET REMAINS THE PROPERTY OF SCAFFCO. AND IS NOT TO BE REPRODUCED WITHOUT WRITTEN PERMISSION. WE RESERVE THE RIGHT TO AMEND THIS DATA AT ANY TIME WITHOUT PRIOR NOTICE.

Issue No: 01  
Issue Date: September 2021

Control No: TDS-XXX001  
Page No: 17

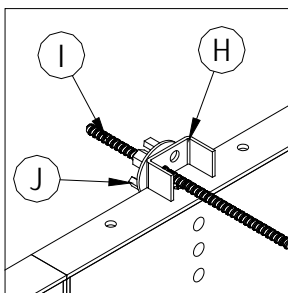
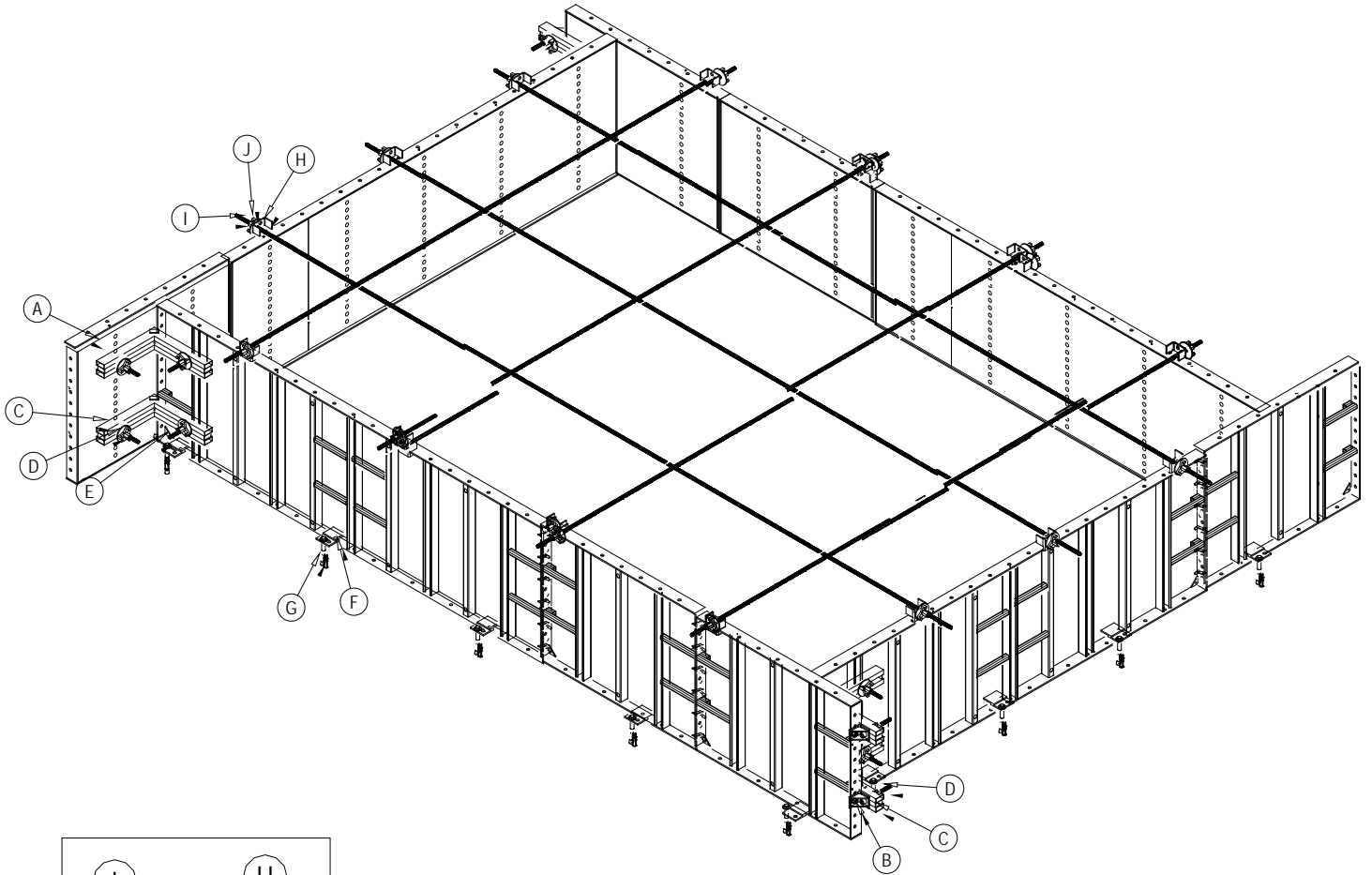
# SPF-80 Formwork System

## System Technical Data Sheet

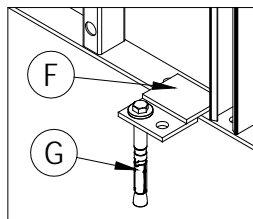


### Foundation Footing Application

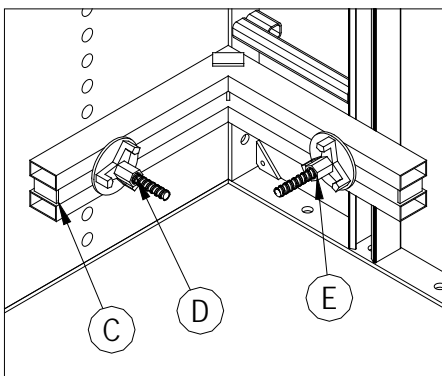
#### Footing with Tie Rod Connection Details



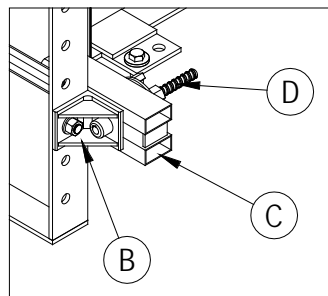
Tie Bracket Details



Floor Bracket Detail



Corner Connection Details



Angle Bracket Connection Details

- A. SPF-80 Panel
- B. Angle Bracket with M16x40 Bolt
- C. Corner Waler
- D. Panel Connector
- E. T-Head Connector
- F. Floor Bracket
- G. Anchor Bolt (provide by site)
- H. Tie Bracket
- I. Tie Rod
- J. Anchor Nut

THE INFORMATION ON THIS DATA SHEET REMAINS THE PROPERTY OF SCAFFCO. AND IS NOT TO BE REPRODUCED WITHOUT WRITTEN PERMISSION. WE RESERVE THE RIGHT TO AMEND THIS DATA AT ANY TIME WITHOUT PRIOR NOTICE.

Issue No: 01

Issue Date: September 2021

Control No: TDS-XXX001

Page No: 18

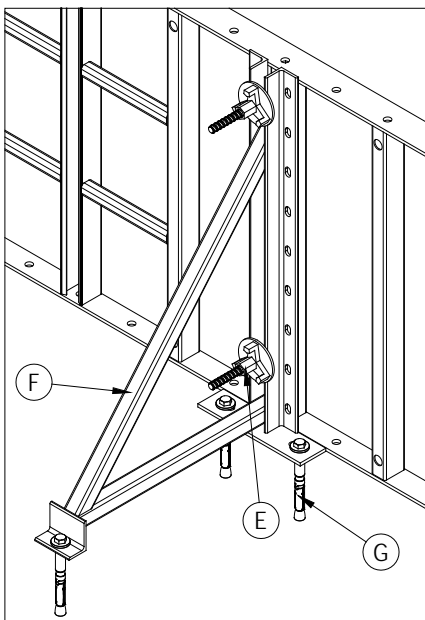
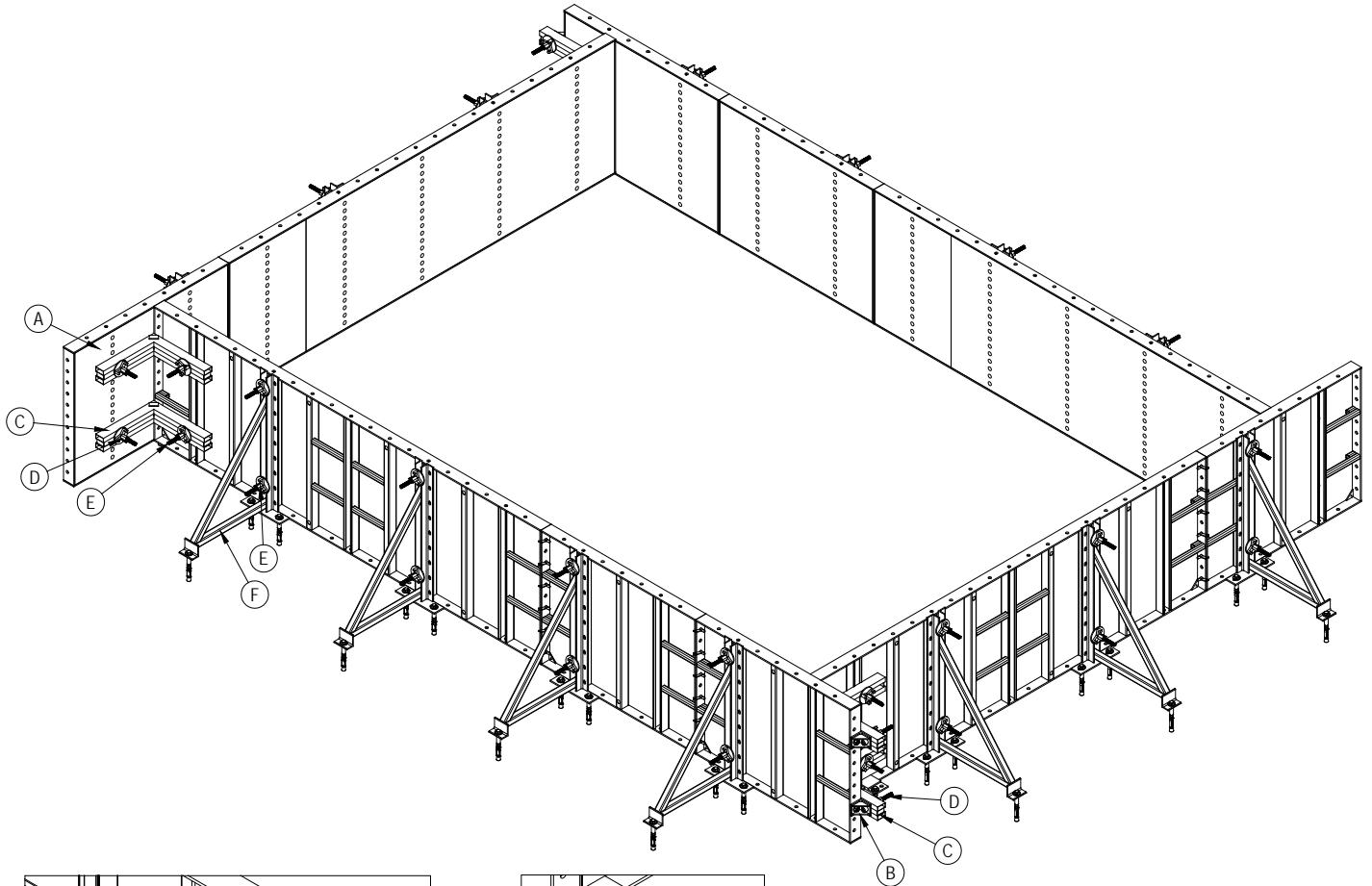
# SPF-80 Formwork System

## System Technical Data Sheet

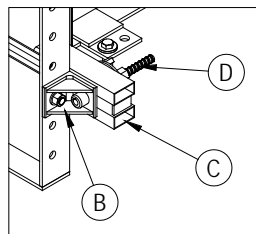


### Foundation Footing Application

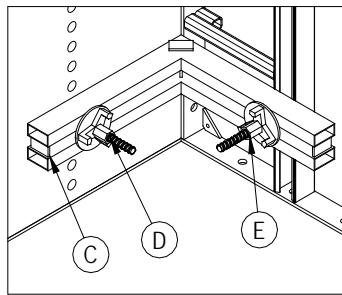
#### Footing with Foundation Support Frame Connection Details



Foundation Support Frame-90  
Connection Details



Angle Bracket Connection Details



Corner Connection Details

- A. SPF-80 Panel
- B. Angle Bracket with M16x40 Bolt
- C. Corner Waler
- D. Panel Connector
- E. T-Head Connector
- F. Foundation Support Frame-90
- G. Anchor Bolt (provide by site)

THE INFORMATION ON THIS DATA SHEET REMAINS THE PROPERTY OF SCAFFCO. AND IS NOT TO BE REPRODUCED WITHOUT WRITTEN PERMISSION. WE RESERVE THE RIGHT TO AMEND THIS DATA AT ANY TIME WITHOUT PRIOR NOTICE.

Issue No: 01  
Issue Date: September 2021

Control No: TDS-XXX001  
Page No: 19

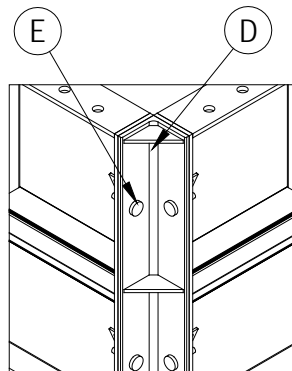
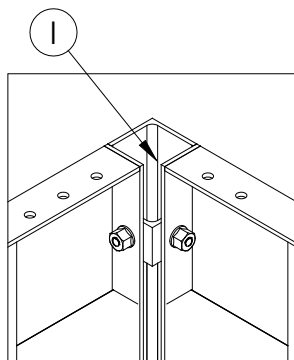
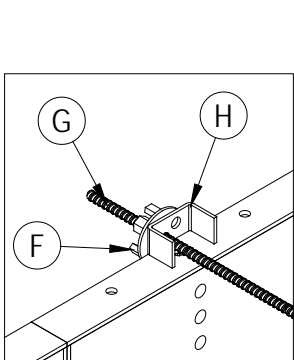
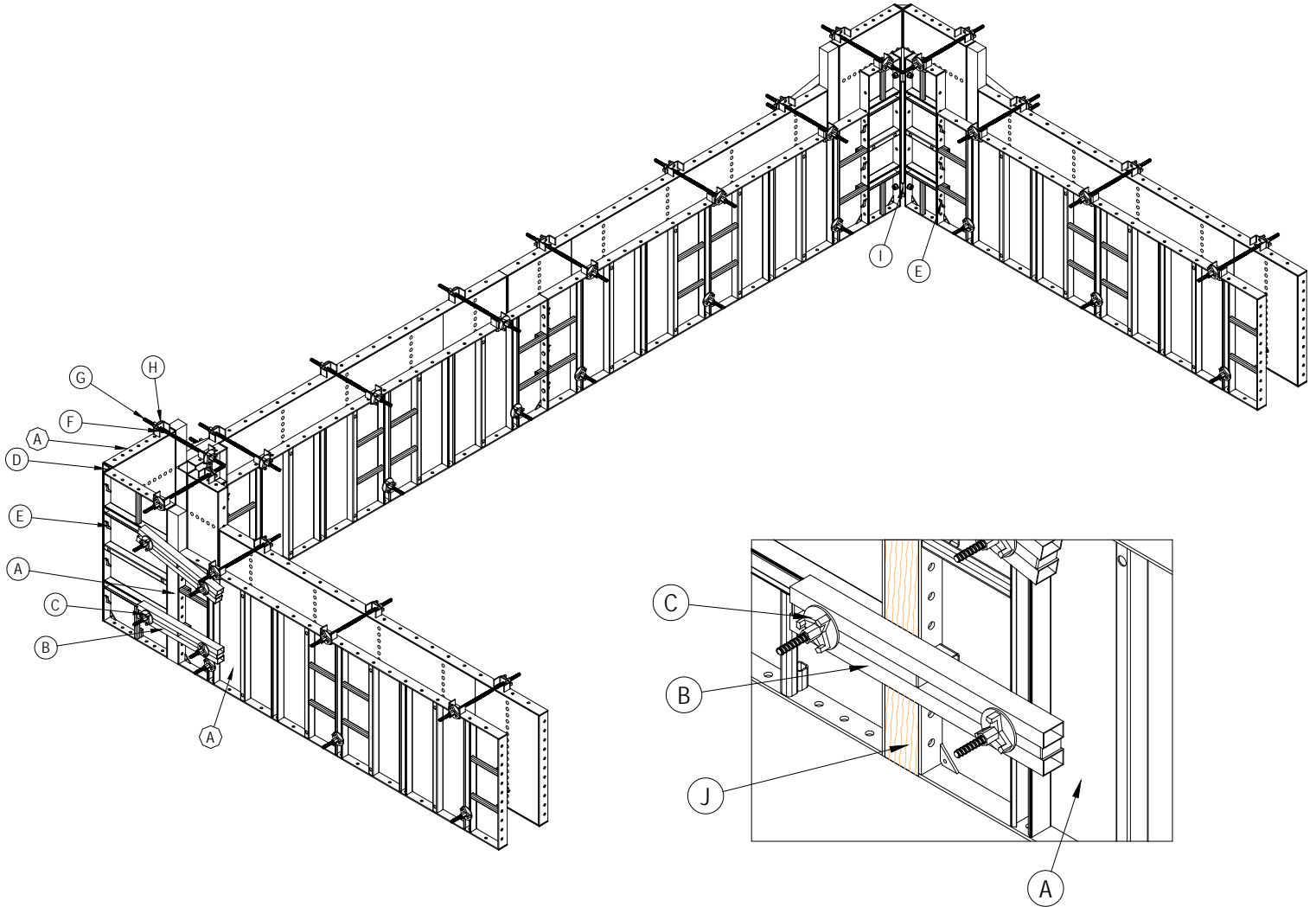
# SPF-80 Formwork System

## System Technical Data Sheet



### Tie Beam Application

#### Tie Beam Connection Details



- A. SPF-80 Panel
- B. Steel Waling
- C. T-Head Connector
- D. External Corner Angle
- E. Wedge Pin
- F. Anchor Nut
- G. Tie Rod
- H. Tie Bracket
- I. External Angle
- J. Timber (provide by site)

THE INFORMATION ON THIS DATA SHEET REMAINS THE PROPERTY OF SCAFFCO. AND IS NOT TO BE REPRODUCED WITHOUT WRITTEN PERMISSION. WE RESERVE THE RIGHT TO AMEND THIS DATA AT ANY TIME WITHOUT PRIOR NOTICE.

Issue No: 01

Issue Date: September 2021

Control No: TDS-XXX001

Page No: 20

# SPF-80 Formwork System

## System Technical Data Sheet

---



THE INFORMATION ON THIS DATA SHEET REMAINS THE PROPERTY OF SCAFFCO. AND IS NOT TO BE REPRODUCED WITHOUT WRITTEN PERMISSION. WE RESERVE THE RIGHT TO AMEND THIS DATA AT ANY TIME WITHOUT PRIOR NOTICE.	Issue No: 01	Control No: TDS-XXX001
	Issue Date: September 2021	Page No: 21

# SPF-80 Formwork System

## System Technical Data Sheet

---



THE INFORMATION ON THIS DATA SHEET REMAINS THE PROPERTY OF SCAFFCO. AND IS NOT TO BE REPRODUCED WITHOUT WRITTEN PERMISSION. WE RESERVE THE RIGHT TO AMEND THIS DATA AT ANY TIME WITHOUT PRIOR NOTICE.	Issue No: 01	Control No: TDS-XXX001
	Issue Date: September 2021	Page No: 22

# SPF-80 Formwork System

## System Technical Data Sheet

---



THE INFORMATION ON THIS DATA SHEET REMAINS THE PROPERTY OF SCAFFCO. AND IS NOT TO BE REPRODUCED WITHOUT WRITTEN PERMISSION. WE RESERVE THE RIGHT TO AMEND THIS DATA AT ANY TIME WITHOUT PRIOR NOTICE.

Issue No:	01	Control No:	TDS-XXX001
Issue Date:	September 2021	Page No:	23