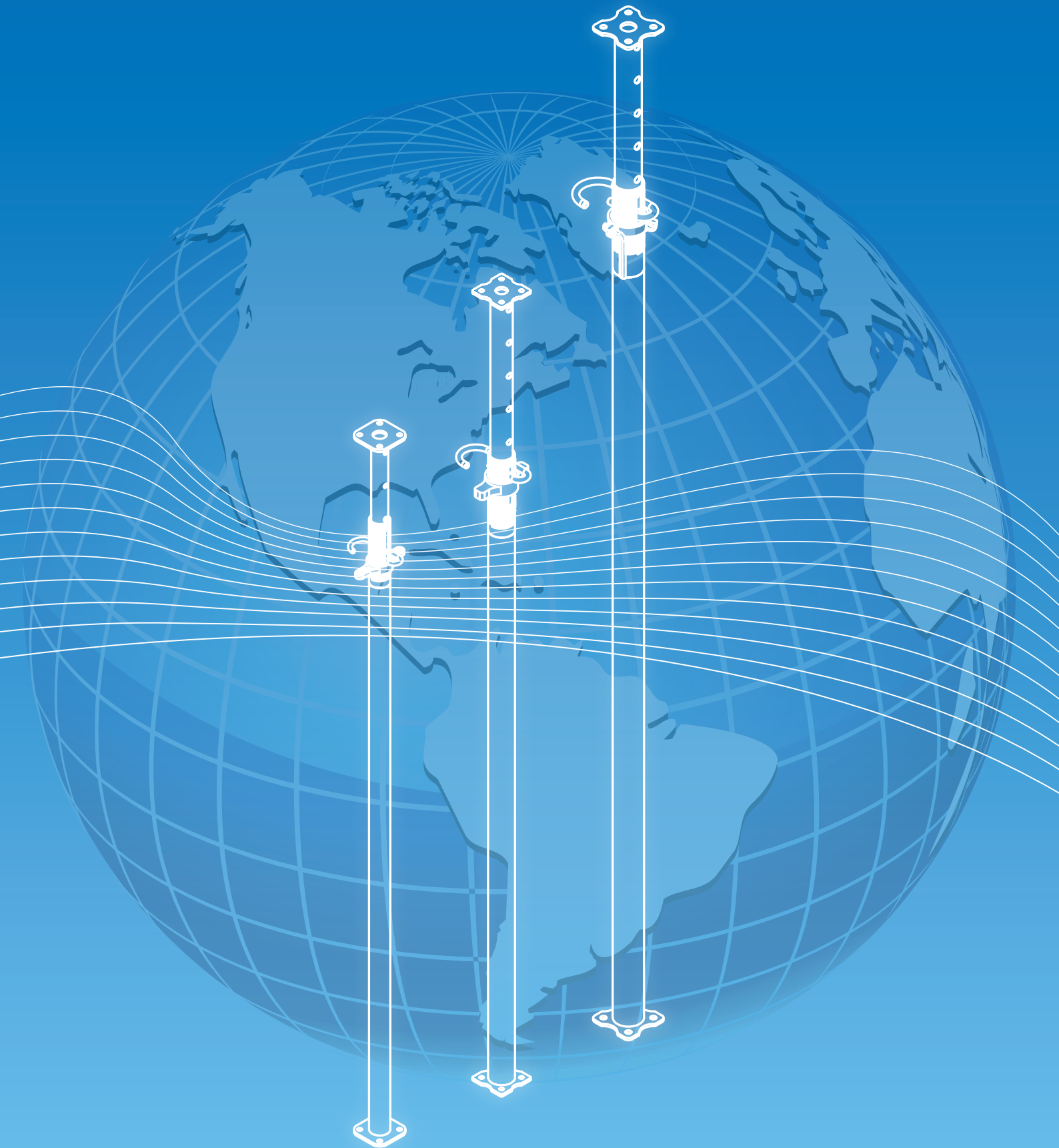


Telescopic Steel Props



Your Formwork Partner

Disclaimer:

While every effort has been made to ensure the accuracy of the information in this catalogue, we cannot accept responsibility for any errors which may occur as a result of reliance on the contents of this catalogue and are not liable for any loss of any nature that may be incurred as a result of such reliance. Details of any of the products may change without prior notice.

The customer must ensure that 'good practice' is adopted on site by competent persons and that the products shown in this catalogue are erected, used and stripped in accordance with the relevant Codes of Practice, international standards and the local authorities regulations. This catalogue does not contain any design detail but lists and depicts the items available under this product range. The responsibility for design is the responsibility of the customer. Please, contact Scaffco's engineer for any technical inquiries.

تنويه:

في حين تم بذل كل جهد ممكن لضمان دقة المعلومات الواردة في هذا الدليل، لا يمكن أن تقبل شركة سكايفكو المسؤولية عن أي أخطاء قد تحدث نتيجة الاعتماد على أي من محتويات هذا الدليل، والشركة غير مسؤولة عن أي خسارة من أي نوع قد يتم تكبدها نتيجة لأعتقاد محتويات هذا الدليل. تحتفظ الشركة بحق تغيير أي من المنتجات أو التفاصيل دون إشعار مسبق.

يجب على العملاء التأكد من أن يتم تبني الممارسات الصحيحة في الموقع من ناحية استخدام المعدات المذكورة في هذا الدليل. كذلك يجب على العملاء التأكد من كفاءة وحرفية الأشخاص القائمين على تركيب واستعمال وتفكيك عناصر الأنظمة وان تكون هذه العمليات متطابقة مع المتطلبات والمعايير المذكورة في المواصفات الدولية ذات العلاقة ولوائح وتعليمات السلطات المحلية. هذا الدليل لا يحتوي على أية تفاصيل تخص التصميم ولكن يصف مكونات الأنظمة بشكل تصويري ويعطي فكرة عن عناصر الأنظمة المتاحة في إطار هذه المجموعة من المنتجات. الرجاء الاتصال بمهندس شركة سكايفكو للحصول على أي استفسارات فنية تخص المنتجات المذكورة في هذا الدليل.

High Load-Bearing Capacity with Optimum Quality

To meet the variable demand of construction needs, we offer three distinct series of props, each designed to handle different load capacities:

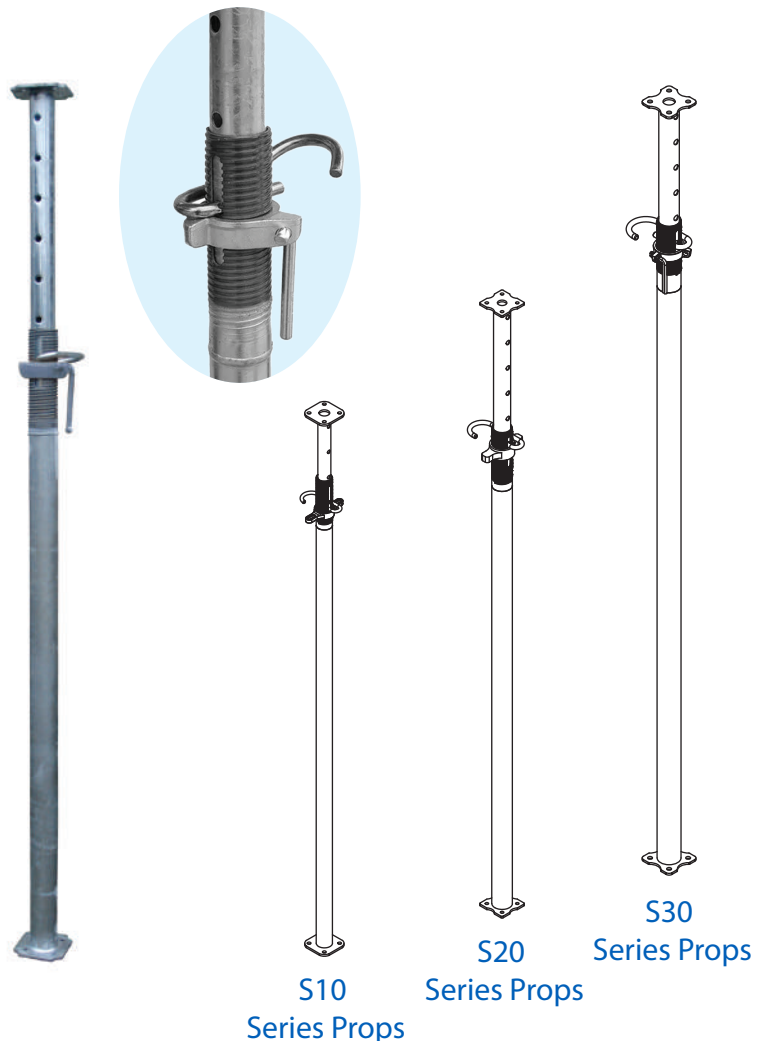
- **S10 (Class B):** The lightest in our range, this series is designed for moderate load capacity with a guaranteed load-bearing capacity of 10kN.
- **S20 (Class D):** This series offers a robust solution with a guaranteed load capacity of 20kN, making it suitable for more demanding applications.
- **S30 (Class E):** The most robust series, with a guaranteed load capacity of 30kN, ideal for the heaviest construction requirements.

These props are engineered with a telescopic design, consisting of two tubes that can slide within each other. For coarse adjustment, a pin is inserted into pre-drilled holes in the inner tube. Fine adjustments are achieved using a threaded collar, allowing for precise height control.

The load-bearing capacity of our props have been tested and verified to comply with the EN 1065 standard. This ensures that each prop meets the stringent safety and performance criteria required in the construction industry.

Throughout our manufacturing process, we adhere to the highest quality standards demanded by international regulations. Our props are compatible with the most widely used formwork systems, ensuring versatility and ease of integration on various construction sites.

We source raw materials that meet relevant international standards, ensuring consistency and reliability in our products. Our production process is enhanced by the use of innovative machinery, which guarantees high quality and safety standards for our props. This commitment to excellence ensures that our products not only meet but exceed industry expectations, providing reliable and safe support for all construction needs.



Steel Prop Components and Benefits

Steel props are essential for the shoring of slab formwork and various other on-site applications. The key components of steel props include: Prop plates, Outer tube and Collar, Inner tube, Prop pin, Prop nut.

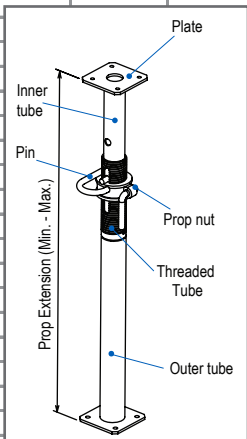
Scaffco Props are designed to meet the EN 1065 standard, ensuring they comply with the specified load capacities. These props guarantee high safety levels and integrate anti-crush hand protection for added security. Their hot-dip galvanization provides exceptional durability and protection against corrosion, allowing for multiple reuses.

The table below outlines the categories of Scaffco steel props, detailing their components, properties, and load capacities.



	S10-300	S10-350	S10-400	S20-300	S20-350	S20-400	S20-450	S20-550	S30-300	S30-350	S30-400
Max. Extension (mm)	3000	3500	4000	3000	3500	4000	4500	5500	3000	3500	4000
Min. Extension (mm)	1800	2100	2300	1800	2100	2300	2600	3100	1900	2100	2300
Outer Tube (mm)	60.3	60.3	60.3	60.3	76.3	76.3	76.3	88.9	76.3	76.3	88.9
Inner Tube (mm)	48.3	48.3	48.3	48.3	63.5	63.5	63.5	76.3	63.5	63.5	76.3
Inner Tube (mm)	48.3	48.3	48.3	48.3	63.5	63.5	63.5	76.3	63.5	63.5	76.3
Wt. (kg)	15.34	17.27	19.13	16.08	20.16	23.88	26.13	36.15	19.26	24.11	28.50

Prop Extension (m)	S10 Series Props- (B-Class)			S20 Series Props (D-Class)					S30 Series Props (E-Class)		
	S10-300	S10-350	S10-400	S20-300	S20-350	S20-400	S20-450	S20-550	S30-300	S30-350	S30-400
1.80	36.50			37.00					38.83		
1.90	35.00			36.91					38.83		
2.00	34.13			34.43					38.83		
2.10	31.35	33.89		32.32	31.00				38.83	39.33	
2.20	28.81	31.71		30.50	31.00				38.33	39.33	
2.30	26.46	29.50	33.00	28.93	31.00	31.50			38.33	38.83	40.00
2.40	24.28	27.46	30.53	27.19	31.00	31.50			37.83	38.83	40.00
2.50	22.24	25.33	28.98	24.52	31.00	31.50			37.83	38.83	40.00
2.60	20.82	24.45	27.08	23.82	31.00	31.50	31.50		37.33	38.83	40.00
2.70	20.19	22.74	25.56	22.52	30.50	31.50	31.50		36.83	38.33	39.33
2.80	18.66	21.38	23.64	21.67	30.00	31.00	31.50		36.33	38.33	39.33
2.90	17.20	20.57	21.82	20.92	29.00	30.50	31.50		35.33	38.33	39.33
3.00	16.07	19.08	20.08	20.25	28.50	29.00	31.50		34.33	37.33	39.33
3.10		17.91	18.91		28.00	28.50	30.50	31.50		37.33	38.83
3.20		16.80	17.55		27.50	28.50	30.50	31.50		36.83	37.83
3.30		15.74	16.24		27.00	28.00	29.00	31.50		36.83	37.83
3.40		14.74	15.24		26.50	28.00	29.00	31.50		36.33	37.83
3.50		13.77	14.27		26.00	28.00	29.00	31.50		35.83	37.33
3.60			13.60		27.50	28.50	31.00				37.33
3.70			12.95		27.00	28.50	31.00				36.33
3.80			12.09		26.50	28.00	31.00				35.83
3.90			11.51		26.00	28.00	29.50				35.33
4.00			10.95		25.50	27.50	29.00				34.83
4.10						27.00	28.50				
4.20						26.50	28.50				
4.30						26.00	27.50				
4.40						25.00	27.00				
4.50						24.00	26.00				
4.60							25.50				
4.70							25.00				
4.80							24.50				
4.90							24.00				
5.00							23.50				
5.10							21.50				
5.20							21.00				
5.30							20.75				
5.40							20.50				
5.50							20.00				





Abu Dhabi

T: +971 2 5500688

F: +971 2 5500689

P.O. BOX: 41851, Abu Dhabi, UAE

Dubai

T: +971 4 8862855

F: +971 4 5562558

P.O. BOX: 18234, Jebel Ali, UAE

WWW.SCAFFCO.COM