

AUTHORIZED LICENSEE
OF HP INKJET TECHNOLOGY

20:43
2023/08/10
180 F4

18:35
2023/08/10
158 F5

17:25
2023/08/10
167 F2

16:10
2023/08/10
166 F5



Sojet Marking Technology (Xiamen) Co.,Ltd.

Add: NO.892, Tonglong 2nd Road,(Xiang'An)Torch Hi-Tech
Industrial Development Zone, Xiamen, Fujian, China
Tel: +86-592-5771357 Fax: +86-592-5565048
Email: partner@sojet-tech.com
Website: www.sojet-tech.com



Scan to learn more



Scan to follow SOJET
on Tiktok

Technology

HP authorized TIJ tech.
Olivetti authorized TIJ tech.
Certified national high-tech enterprise.
National innovation fund supported.

Service

Standard products.
SDK, OEM and ODM services.

Applications

Text, date, 1D, 2D barcodes, medical supervision code, variable databases, etc.

Quality

ISO 9001:2015 certificated.
Full testing equipments and procedures.

Our Team

Sojet has a very experienced R&D team, they know what you need and how to make it into reality.

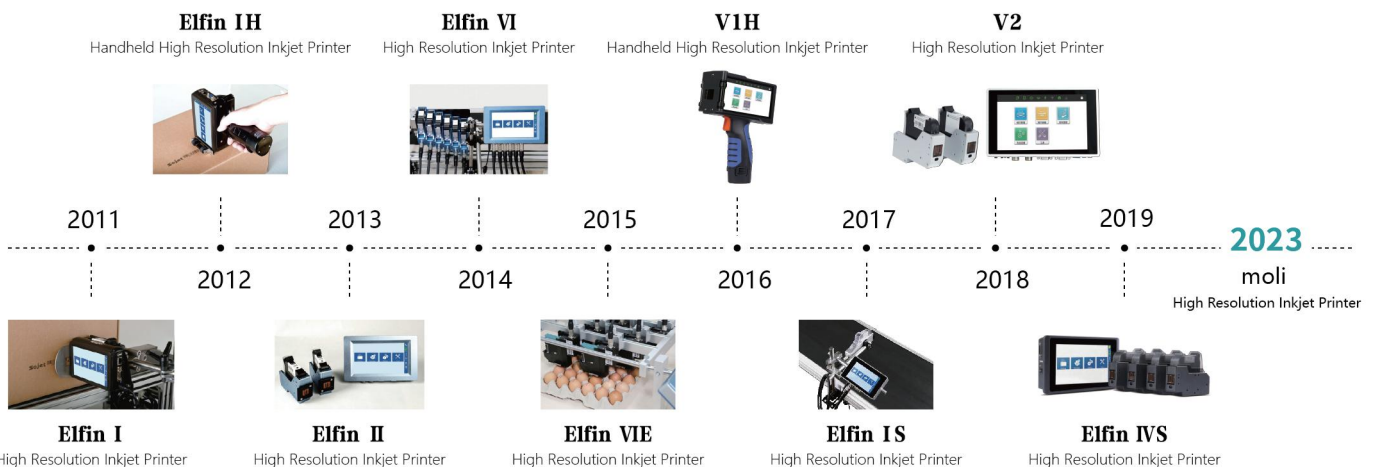
Marketing

Sojet printers have been sold to more than 100 countries, 60% of our sales is for oversea markets, 40% for domestic market.

Sojet Marking Technology (XiaMen) Co., Ltd is a HP authorized OEM partner, focused on coding technologies. Our printers can be used to print all kinds of messages, including variable barcodes and messages from databases. Sojet has a very capable R&D team, granted us more than 15 patents in this technology, and besides the standard products, we also provide our partners with professional SDK, OEM and ODM services.

Sojet knows "If we want to win, our customers need to win first!" That is what we want and what we are pursuing all the time.

Product History



MoTix Series

High Resolution Inkjet Printer



◎ High-end ◎ High Speed ◎ High Standards

NO GAP printing (nonstop); Up to **200m/min** (300dpi); **79 prints/sec** (full height variable 2D barcodes);

- LINUX platform for rapid customization ● Industrial-grade anti-interference design. ● High-performance integration capability.
- Adaptive Ink temperature control, unique energy algorithm. ● Printing speed up to 200m/min (300*300dpi). ● Flexible DPI settings (40-1200DPI).
- High-performance printing, up to 79 prints/sec (12.7mm QR code). ● Alternating nozzle printing for better quality and longer lifespan.
- Dual-sensor design, multiple I/O signal extensions.



MoTix 4000 [10.1 inches]

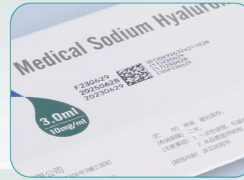
MoTix 2000 [7 inches]

Parameters

Model	MoTix 4000	MoTix 2000
Technology	HP TIJ 2.5 Thermal Inkjet Technology	
Resolution	Vertical: 600 dpi; Horizontal: 40-1200 dpi. (Single head)	
Communication Protocol	Supports external communication protocols such as HTTP, TCP, RS232/485, Modbus-TCP/Modbus-RTU	
Screen	10.1 inches color capacitive touch screen	7 inches color capacitive touch screen
Dimensions	Controller: 281*184*38mm Print head: 145*91*47mm	Controller: 224*151*38mm
Language	Chinese, English, Korean, Russian, Spanish, Japanese, French, German, Italian, Turkish, Indonesian, Hungarian, Portuguese(Customization support)	
Keyboard	Chinese, English, Korean, Arabic, Russian, Spanish, Japanese, French, German, Hungarian, Czech, Greek, Ukrainian(Customization support)	
Counter	Ordinary counter, the carry bit source can be set flexibly	
Printing Height	1~50.8mm(Four printheads, free combination)	1~25.4mm(Two printheads, free combination)
Printing Speed	Up to 200m/min(Fast dry cartridges)	
Printing Performance	The printing frequency of QR code printing up to 79pcs/sec.	
Supported Barcode	Codebar, Code25, Code39, Code93, Code128, UPCA, UPCE, EAN,ITF14 QR Code (GSI supported), Data Matrix (GSI supported), Grid Matrix, Maxicode, PDF417(Others upon request),Maxicode	
Date Format	The date format can be set flexibly	
Interface	Ethernet interface*1 USB interface*1 (USB flash drive, scanner and auxiliary communication equipment) 12-pin aviation interface*1 (alarm kit, RS232, external IO input); 8-pin aviation interface*2 (external photocell and synchronizer); 17-pin aviation interface: (connect with printhead) *4	
Ink Management	Recognize the ink type and choose the most suitable parameters automatically Only original HP cartridges are supported; Automatic measurement system for ink consumption.	
Set up	Equipped with standard side printing/down printing bracket. Optional Spring-back mechanism.	
Environment Requirements	Operating environment: -10°C-- +55°C; Storage environment: -20°C-- +70°C;	
Input Power	AC 100-240V/50-60Hz	
Output Power	24.0V 4A, 96.0W	
Product Certification	CE, FCC	

MoEco Series

High Resolution Inkjet Printer



- ◎ Reliable Anti-Interference Design
- ◎ High Stability

- LINUX platform for rapid customization.
- Industrial-grade anti-interference design.
- Adaptive ink temperature control, unique energy algorithm.
- Flexible DPI settings (40-1200DPI).
- Alternating nozzle printing for better quality and longer lifespan.
- High-performance integration capability.



MoEco 4000 [7 inches]



MoEco 2000 [7 inches]

Parameters

Model	MoEco 4000	MoEco 2000
Technology	HP TIJ 2.5 Thermal Inkjet Technology	
Resolution	Vertical: 600 dpi; Horizontal: 40-1200 dpi. (Single head)	
Communication Protocol	Supports external communication protocols such as HTTP, TCP, RS232/485, Modbus-TCP/Modbus-RTU	
Screen	7 inches color capacitive touch screen	
Dimensions	Controller: 211*125*43mm Print head: 156*49*93mm	Controller: 207*134*34mm
Language	Chinese, English, Korean, Russian, Spanish, Japanese, French, German, Italian, Turkish, Indonesian, Hungarian, Portuguese(Customization support)	
Keyboard	Chinese, English, Korean, Arabic, Russian, Spanish, Japanese, French, German, Hungarian, Czech, Greek, Ukrainian(Customization support)	
Counter	Ordinary counter, the carry bit source can be set flexibly	
Printing Height	1~50.8mm(Four printheads, free combination)	1~25.4mm(Two printheads, free combination)
Printing Speed	Up to 100m/min(Fast dry cartridges)	
Printing Performance	The printing frequency of QR code printing up to 50pcs/sec.	
Supported Barcode	Codebar, Code25, Code39, Code93, Code128, UPCA, UPCE, EAN,ITF14 QR Code (GSI supported), Data Matrix (GSI supported), Grid Matrix, Maxicode, PDF417(Others upon request),Maxicode	
Date Format	The date format can be set flexibly	
Interface	Ethernet interface*1 USB interface*1 (USB flash drive, scanner and auxiliary communication equipment) DVI interface: connect to cable box or extended cable box Cable box interface: alarm kit, photocell, encoder, I/O (2 inputs 2 outputs), RS232 Extended Cable box interface: alarm kit, photocell, encoder, I/O (6 inputs 5 outputs), RS232 DC interface: power cable DB15 interface: connect with printhead *4	
Ink Management	Recognize the ink type and choose the most suitable parameters automatically Only original HP cartridges are supported; Automatic measurement system for ink consumption.	
Set up	Equipped with standard side printing/down printing bracket. Optional Spring-back mechanism.	
Environment Requirements	Operating environment: -10°C-- +55°C; Storage environment: -20°C-- +70°C;	
Input Power	AC 100-240V/50-60Hz	
Output Power	24.0V 4A, 96.0W	
Product Certification	CE, FCC	

MoEco 1

All-in-one Inkjet Printer



○ Economic ○ High Stability

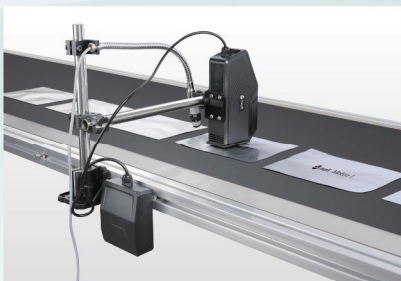
- Compact design, easy installation.
- One-click easy operation
- Android app control, offline support.
- Automatic speed measurement.
- Reliable anti-interference design
- Adaptive ink temperature control, auto cleaning.
- Alternating nozzle printing.
- Quick ink replacement.



APP Control

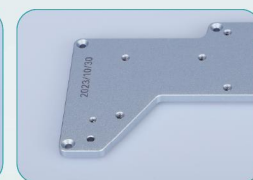
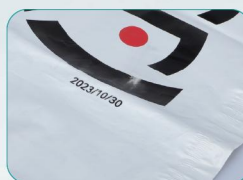
Parameters

Model	MoEco 1
Technology	HP TIJ 2.5 Thermal Inkjet Technology
Resolution	Vertical: 600 dpi; Horizontal: 300 dpi
Communication Protocol	Not available
Screen	1.44 inches screen
Dimensions	182*55*95mm (Printer)
Language	Chinese, English, Korean, Russian, Spanish, Japanese, French, German, Italian, Turkish, Indonesian, Hungarian, Portuguese (Customization support)
Keyboard	None
Counter	Ordinary counter, the carry bit source can be set flexibly
Printing Height	1~12.7mm
Printing Speed	Up to 60m/min
Barcode printing	Not available
Date Format	The date format can be set flexibly
Interface	Cable box interface: alarm kit, photocell, encoder, RS232, ethernet (Reserved) DC interface: power cable Terminal block interface (Power supply)
Ink Management	Recognize the ink type and choose the most suitable parameters automatically
Set up	Only original HP cartridges are supported; Automatic measurement system for ink consumption.
Environment Requirements	Equipped with standard side printing/down printing bracket. Optional Spring-back mechanism.
Input Power	AC 100-240V/50-60Hz
Output Power	24.0V 1.5A, 36W
Product Certification	CE, FCC



MoTix 1H

High resolution handheld printer



- Built-in scanner, with wifi connectivity
- LINUX platform for rapid customization
- Premium ergonomic design
- 6.5-inch HD touchscreen
- Extended ≥ 10 hours battery life
- Industrial-grade anti-interference design(resisting static interference up to $\pm 8kV$ and fast pulse group interference up to $\pm 2kV$).



Parameters

Model	MoTix 1H
Technology	HP TIJ 2.5 Thermal Inkjet Technology
Resolution	Vertical: 600 dpi; Horizontal: 300 dpi
Screen	6.5 inches touch screen , 800*480 resolution capacitive touch screen
Dimensions	(H*W*D): 231.5*55.7*177mm (Two wheels plate)
	(H*W*D): 231.5*83.3*177mm (Four wheels plate)
Language	Chinese, English, Korean, Russian, Spanish, Japanese, French, German, Italian, Turkish, Indonesian, Hungarian, Portuguese, (Customization support)
Keyboard	Chinese, English, Korean, Arabic, Russian, Spanish, Japanese, French, German, Hungarian, Czech, Greek, Ukrainian, (Customization support)
Counter	Ordinary counter, the carry bit source can be set flexibly
Printing Height	1~12.7mm
Supported Barcode	Codebar, Code25, Code39, Code93, Code128, UPCA, UPCE, EAN, ITF14
Interface	QR, Datamatrix, PDF417, Maxicode; GS1: QR, Datamatrix, Code28
Ink Management	Recognize the ink type and choose the most suitable parameters automatically
	Only original HP cartridges are supported; Automatic measurement system for ink consumption.
Environment Requirements	Operating environment: -10°C-- +55°C; 10%-85%RH
	Storage environment: -20°C-- +70°C; 10%-90%RH
Battery	Quantity: 4 pcs standard rechargeable batteries with large capacity (2200mAh) Voltage: 13.6-16.8V Working hours: About 10 hours
Product Certification	CE, FCC



Fast Dry Cartridges



- **Barcodes printing**

Suitable for printing various 1D & 2D barcodes.

- **Longer Shelf Time**

Adopts mild solvent base and corrosion resistance nozzles, with a longer shelf time.

- **More Color Options**

More colors available, like blue, red, yellow, white etc.

- **Wider application range**

Suitable for pharmaceutical, food & beverage, electric, plastic, building material, metal industrials etc; Can print on most of the non-porous materials like aluminum, PVC, PE, metal, circuit boards, etc.

Model	Color
51S	●
511S	●
52S+	●
53S+	●
52SR	●
52SB	●
531S	●
532S	●
53SY	●
53SW	○

UV Cartridges



- **UV-LED Curable ink**

- Power: 8W/CM2

- Wavelength: 385nm

Model	Color
83S	●
83SW	○

Water-based Cartridges



- **[1 Series Ink]**

Performance: good on porous materials, fade-proof and water-proof, great for barcodes printing. Suitable for wood, building materials, uncoated cartons etc.

- **[2 Series Ink]**

Performance: good on porous and semi-porous materials, short dry time, long lasting. Darker than 1 series inks. Suitable for coated paper, white card paper, uncoated semi-porous materials.

Model	Color
11L+	●
11S+	●
11SR	●
11SB	●
21S	●
21SR	●
22S	●
26L	●
12SG+	●
12SR	●



26L
(Bulk Ink System)



11L+
(Bulk Ink System)

- **[Egg Printing Ink]**

Performance: food grade, FDA certified. Suitable for egg printing.

Accessories



MoTix
accessory interface



MoEco DB9
accessory interface

Note: MoTix and MoEco have different
accessory interfaces



【 Spring-back Mechanism 】



【 DVI to DB9 box 】



【 Encoder Kit 】



【 Alarm Kit 】



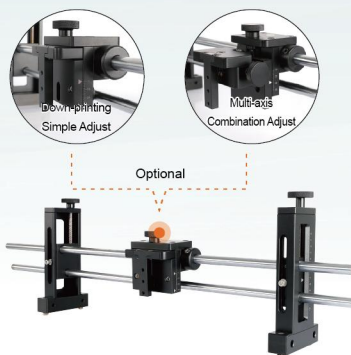
【 Optical Photocell Kit 】



【 Photocell Kit 】



【 Gantry Bracket for Side Printing 】



【 Gantry Bracket for Down Printing 】

Note: Installation rod need to be purchased
separately for different lengths



【 Dual-axis Adjustable Bracket 】

Distribution Network

Have been sold to more than 100 countries, and enjoying a very good reputation among our worldwide partners.

60% sales come from oversea market: Asia, Europe, North America, South America, Oceania, Africa

40% from China domestic market: over every province



Focus on inkjet printer research and development

High Resolution • Low Maintenance • Customization • High Performance



Our main products include high resolution inkjet printers, printing height from 12.7mm to 76.2mm, both inline printers and handheld ones, Sojet also provide all kinds of consumables and accessories. Our printers are widely used in printing, billing, mailing, packaging, food & beverage, pharmaceutical, cosmetics, cables, rubber and plastic industries, have been sold to more than 100 countries.