

 **TESLA** CarPort

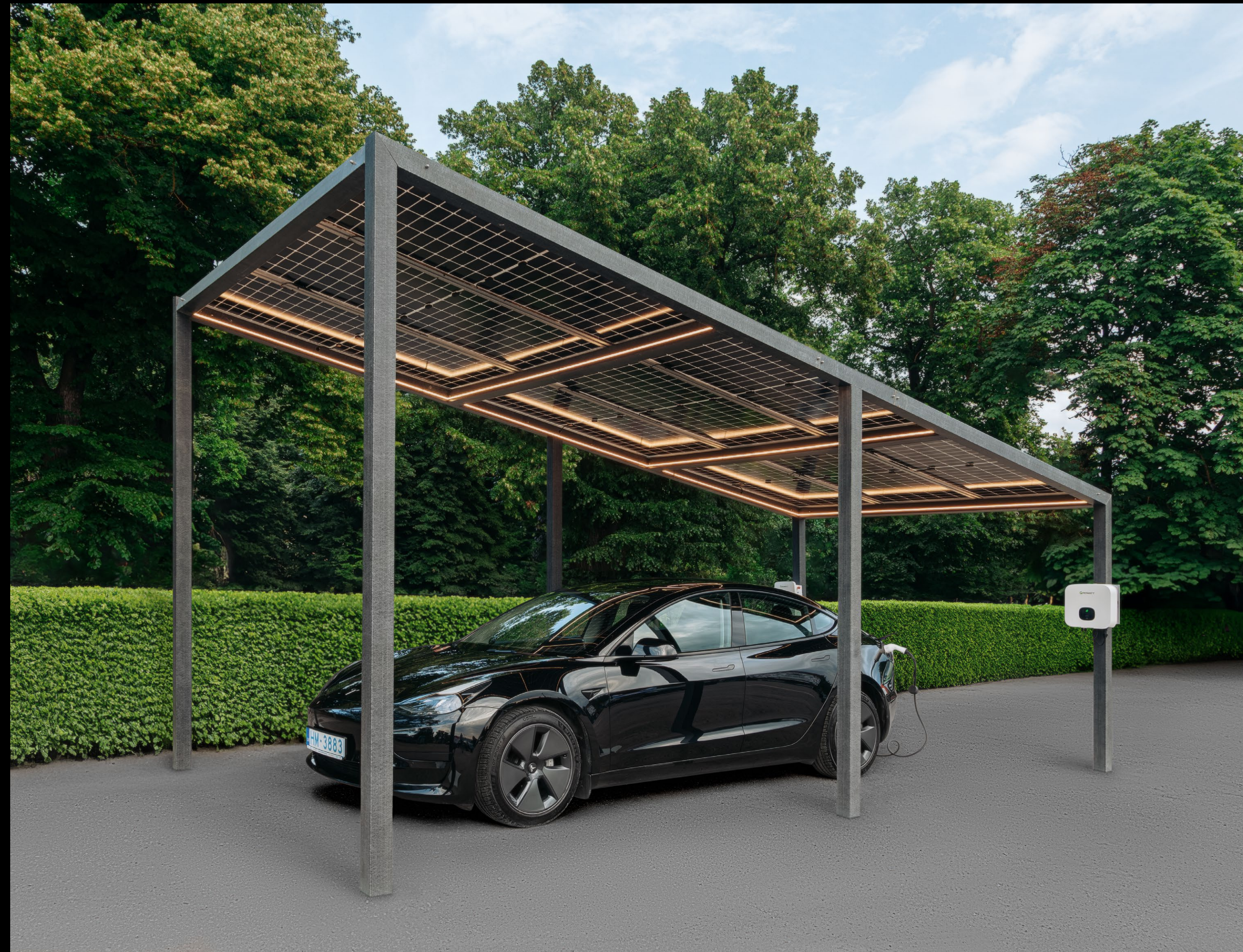
TESLA CARPORT

TESLA CARPORT is a modern carport with solar panels, an inverter, and a charger for electric cars (optional). Under the solar canopy, you can park and charge your car or set up a place for relaxation. This comfortable space will generate 3,600 kW of clean solar energy per year.

Tesla solar carport with an EV charger is a great investment for homeowners who want to generate clean energy, protect their vehicles, and reduce their carbon footprint.

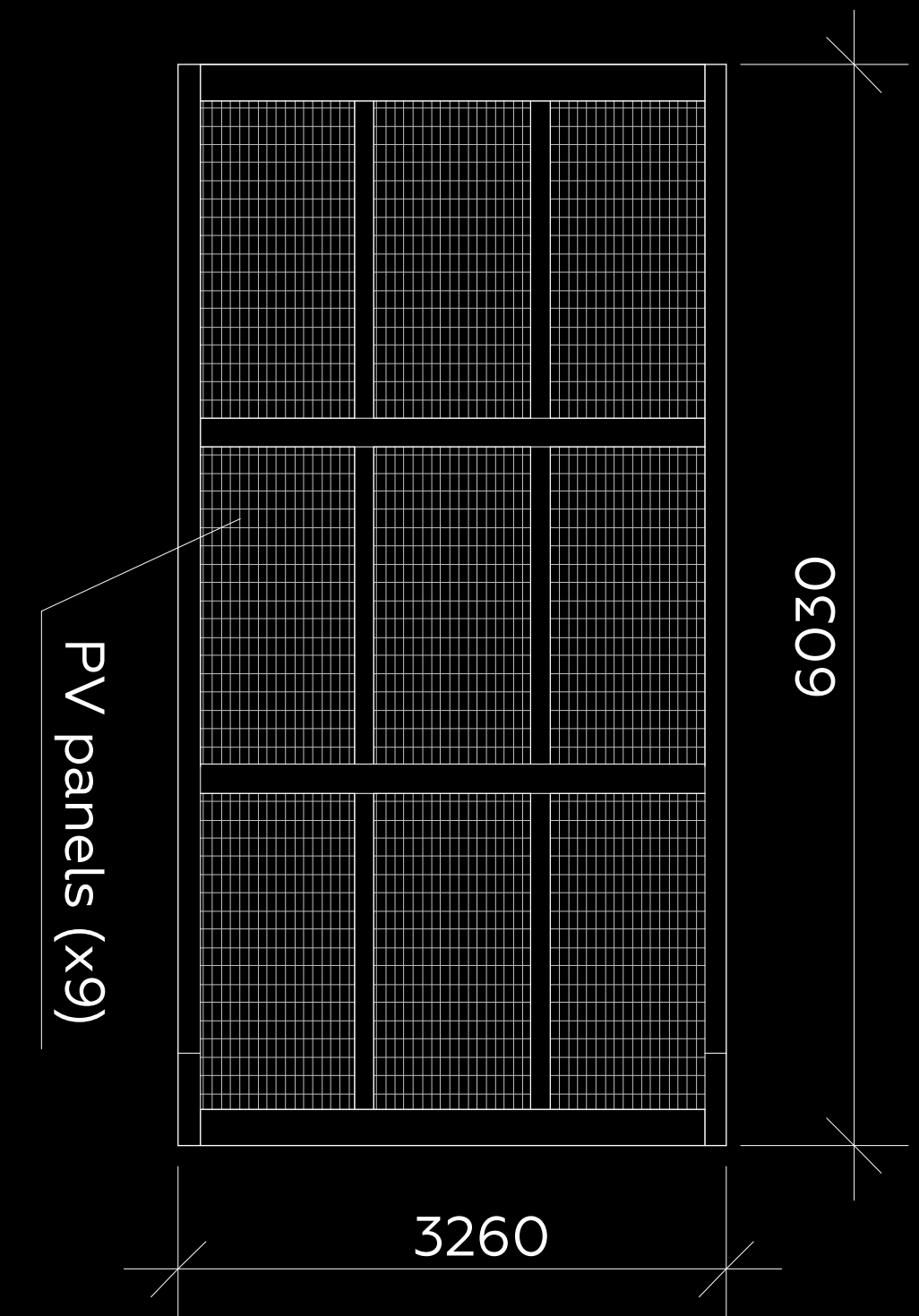
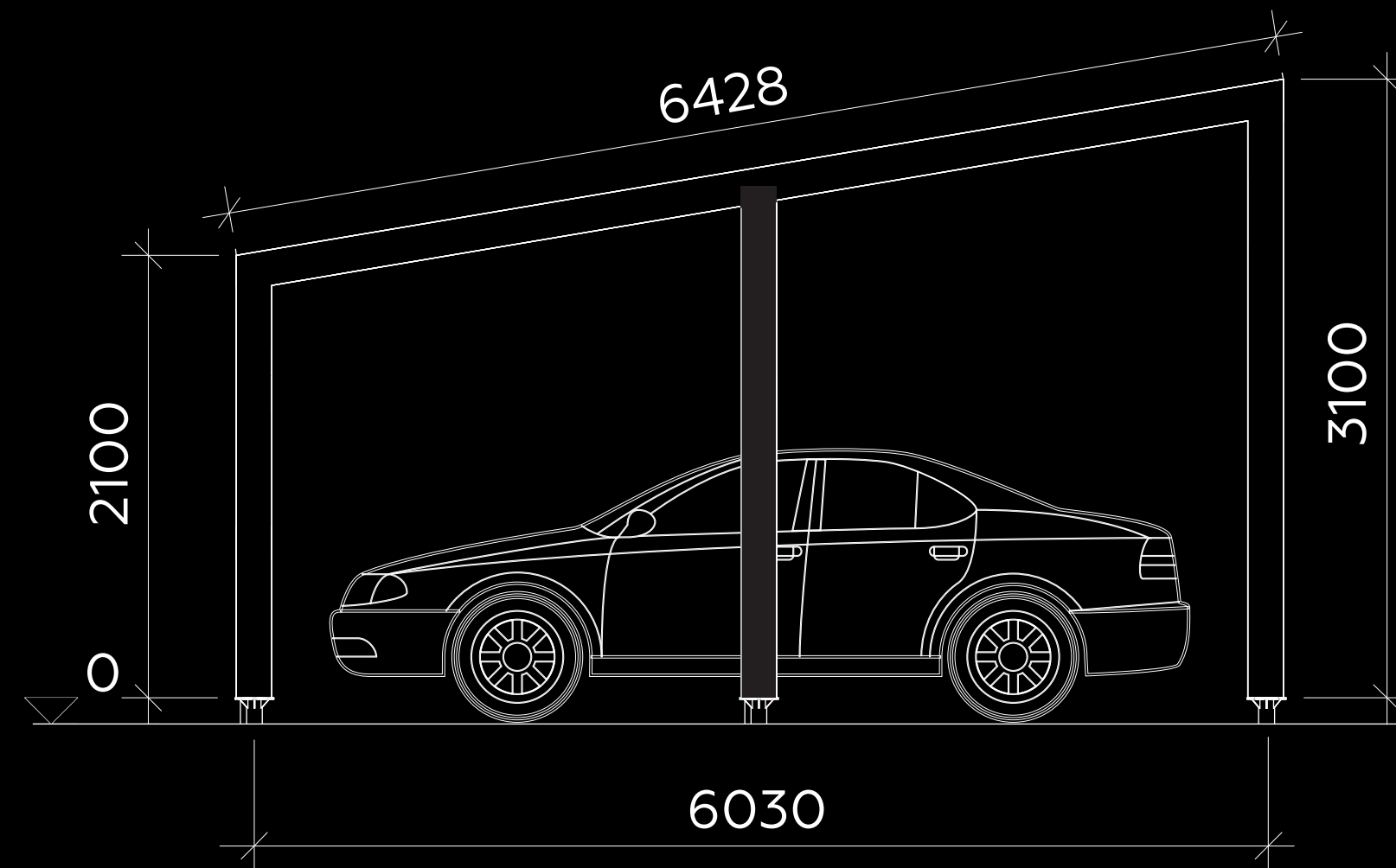
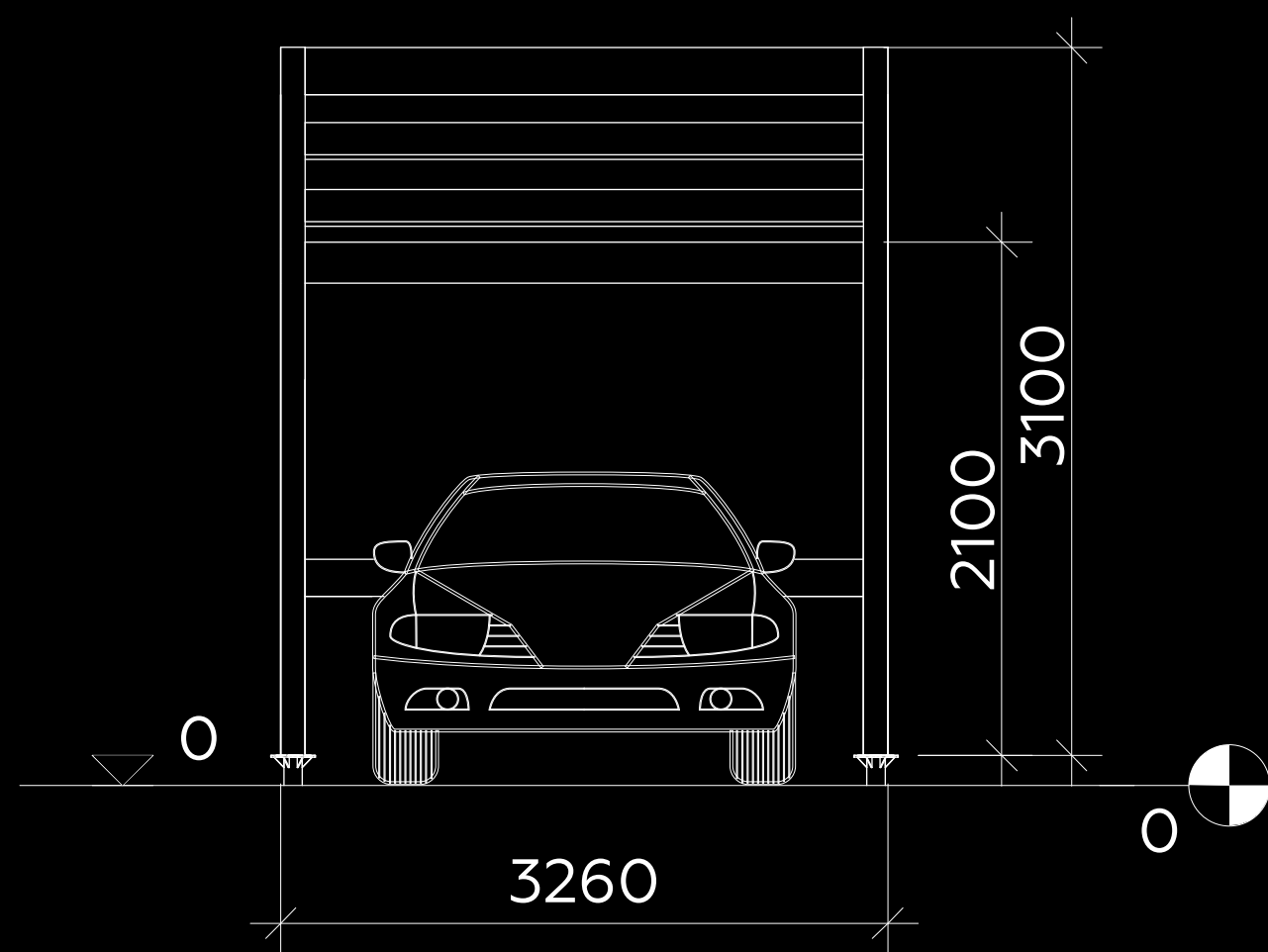
Our solar canopies are made with high-quality materials that are durable and weather-resistant, ensuring long-term reliability and low maintenance costs.

POWER	4,1 kW
SIZE	2100 × 3260 × 6030
SQUARE	20 m ²
WEIGHT	350 kg
COLOR	grey, black anthracite
WARRANTY	30 years for canopy 25 years for solar panels 10 years for inverter



TESLA CARPORT INCLUDES

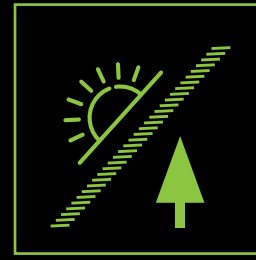
1. SOLAR PANELS RECOM (France), Bifacial, 9 × 460 W, power 4, 140 kW
2. INVERTER 3,6 kW. Growatt MIN 3600TL-XH.
3. CHARGING STATION / EV-charger 11 kW. Growatt THOR 11AS-P.
4. CANOPY made of fiberglass composite Compor and metal. Lightweight; resistant to corrosion; shockproof.
5. NETWORK CABLES, THE TRANSFORMER, AND THE FASTENERS.
 - Delivery and assembly not included.
 - Additional option: LED LIGHTING.



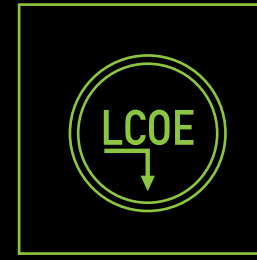
TESLA CARPORT BENEFITS



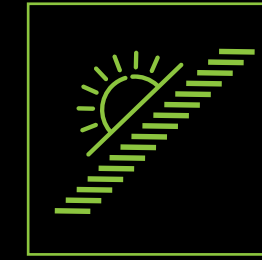
Lightweight



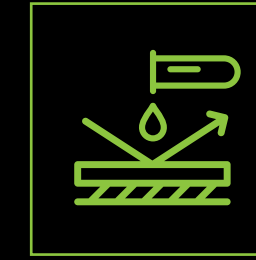
Higher light conversion



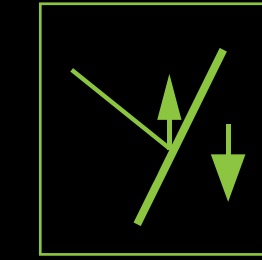
Low LCOE



Higher yield in hot climate



Resistant to corrosion



Low resistive losses

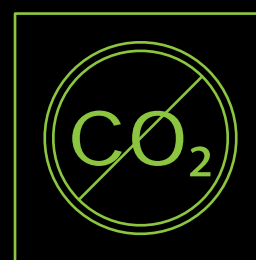
TESLA SOLAR CARPORT FOR INVESTORS

By investing in a solar canopy with EV charging stations, parking facility owners can demonstrate their commitment to sustainability and attract environmentally conscious customers. It also helps reduce the carbon footprint of the transportation sector, contributing to a cleaner and healthier environment for all.

Solar carports offer a range of benefits for parking owners, including:



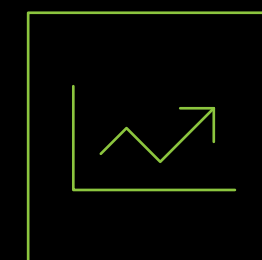
Energy savings



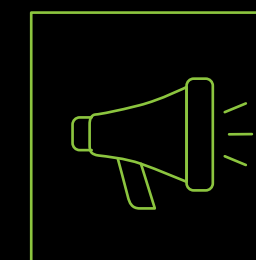
Reduced carbon footprint



Improved customer experience




Increased property value



Marketing opportunities

Overall, solar carport parking is a smart investment for parking owners looking to reduce their energy costs, improve their sustainability, and enhance their customer experience.



 +371 26 449 555
+49 1523 848 91 66

 tesla@tesla.lv

 www.tesla.lv

