



www.perdesanjaluzi.com

-CONTENTS-

| | |
|---|----|
| VISION-MISSON - CORPORATE PROFILE..... | 02 |
| CERTIFICATES..... | 03 |
| PERDESAN INTRODUCTION..... | 04 |
| VENETIAN BLIND / ADVANTAGES..... | 05 |
| PRD-F-4525 FREQUENCY SYSTEM..... | 06 |
| PRD-F-4525 TECHNICAL DRAWING..... | 07 |
| PRD-M-9016/22 MAGNETIC SYSTEM..... | 08 |
| PRD-M-9016/22 TECHNICAL DRAWING..... | 09 |
| PRD-A-9028 MOTORISED SYSTEM..... | 10 |
| PRD-A-9028 TECHNICAL DRAWING..... | 11 |
| PRD-H-9016/22 SHAFT SYSTEM..... | 12 |
| PRD-H-9016/22 TECHNICAL DRAWING..... | 13 |
| PRD-SH-9022 SLIDING SHAFT SYSTEM..... | 14 |
| PRD-SH-9022 TECHNICAL DRAWING..... | 15 |
| PRD-B-4516/22 BUTTON SYSTEM..... | 16 |
| PRD-B-4516/22 TECHNICAL DRAWING..... | 17 |
| PRD-OB-4522 BUTTON SYSTEM ON GLASS..... | 18 |
| PRD-OB-4522 TECHNICAL DRAWING..... | 19 |
| PRD-SL-920 SLIDING SYSTEM..... | 20 |
| GALLERY..... | 21 |



-MISSION-

To offer the high-quality products with stable team, to achieve success with quality and to keep customer satisfaction with success.

-VISION-

PERDESAN means quality that manufactured by improving.

-CORPORATE PROFILE-

We started producing and selling integral blind systems within double glazing units in 2005.

Our company has based its production and company structure on the principle of 'TRUST' and has been working hard to maintain it. We are well aware of the technological advances in our field and thus has attached great importance to investments in research and development. We have attended national and international fairs in order to gain an innovative perspective on the production of integral blind systems. We care about our customers' needs and satisfaction so we provide different types of blind systems valuing form and appearance.

Manufacturing our products in Antalya Organized Industrial Zone, we serve our customers through a network of dealers all around Turkey. We also export to many countries.

Our goal is to take firm steps towards an even higher quality service based on trust and innovation in our field.

PERDESAN; trustworthy and stable teamwork brings success, success brings quality and quality in return brings consumer satisfaction .

-CERTIFICATES-

CERTIFICATE ATTESTATION

PERDESAN CAM PVC ALUMİNYUM KAPI PENCERE
SİST. İTH. İHR. SAN. TIC. LTD. ŞTİ.

A.O.S.B. 3. KISIM 35. CADDE NO:8
DÖŞEMEALTI- ANTALYA

Ürün Adı:
ÇİFT CAM ARASI JALUZİ SİSTEMLERİ

Modeller

| | |
|-------------|--------------------------|
| PRD-M-9022 | MİKNATISLI SİSTEM |
| PRD-W-9022 | MİLLİ SİSTEM |
| PRD-A-9028 | MOTORLU SİSTEM |
| PRD-F-4525 | FREKANS BUTONLU SİSTEM |
| PRD-B-4522 | BUTONLU SİSTEM |
| PRD-SM-9022 | SÜRME MİKNATISLI SİSTEM |
| PRD-SH-9022 | SÜRME MİLLİ SİSTEM |
| PRD-OB-4522 | CAM ÜZERİ BUTONLU SİSTEM |
| PRD-P-9022 | PLİSE SİSTEM |

Marka PERDESAN
Değerlendirme Yöntemi Fabrika Üretim Kontrol Sistemi
Prosedürü PR.12

Sertifika Bilgileri

| | |
|----------------------|------------------------|
| Belgeleştirme Tarihi | 22 Şubat 2018 |
| Geçerlilik Tarihi | 21 Şubat 2019 |
| Belge No | AM/2018-11-0247/Rev/00 |

Yukarıda adı ve adresi bulunan üreticinin JALUZİ Perde Sistemleri ürününün temel sağlık ve güvenlik itibayla belirlendiği Tehlike Gereksizlik dokümanını doğrultusunda teknik dosyasını hazırladığına şahitlik ederiz.
Onay

www.plastikgizli.com.tr

T.C.
TÜRK PATENT ve MARKA KURUMU

MARKA TESCİL BELGESİ

Marka No : 2017 00226 - Ticaret



Marka Sahibi : PERDESAN CAM PVC ALUMİNYUM KAPI PENCERE SİSTEMLERİ İZMİR
DOLAY TİCARİT BELGELET SAĞLAYICI VE TİCARİT ÜRETİM İZMİRİ
İSTANBUL ÇAMURBAŞI
Sakarya Mahallesi Akdeniz Sanayi Sitesi 1004 Sokak No:19 Kat:1 Antalya

Emtias
1 06, 19
İliktedir.



İhbar Marka 03/01/2017 tarihinde ilihbaran ON YIL süreyle
10/08/2017 tarihinde tescil edilmiştir.



Prof. Dr. Halil ASAN
Türk Patent ve Marka
Kurumu Başkanı

TURK PATENT
TÜRK PATENT VE MARKA KURUMU

PCA
PERDESAN CAM PVC ALÜ. KAPI
PENCERE SİSTEMLERİ TUN. İNH.
İTH. İHR. SAN. VE TIC. LTD. ŞTİ.

Certificate

ISO 14001 : 2015

PERDESAN CAM PVC ALÜ. KAPI
PENCERE SİSTEMLERİ TUN. İNH.
İTH. İHR. SAN. VE TIC. LTD. ŞTİ.

SCOPE



PCA
PERDESAN CAM PVC ALÜ. KAPI
PENCERE SİSTEMLERİ TUN. İNH.
İTH. İHR. SAN. VE TIC. LTD. ŞTİ.

Certificate

OHSAS 18001:2007

PERDESAN CAM PVC ALÜ. KAPI
PENCERE SİSTEMLERİ TUN. İNH.
İTH. İHR. SAN. VE TIC. LTD. ŞTİ.

SCOPE



PCA
PERDESAN CAM PVC ALÜ. KAPI
PENCERE SİSTEMLERİ TUN. İNH.
İTH. İHR. SAN. VE TIC. LTD. ŞTİ.

Certificate

ISO 9001 : 2015

PERDESAN CAM PVC ALÜ. KAPI
PENCERE SİSTEMLERİ TUN. İNH.
İTH. İHR. SAN. VE TIC. LTD. ŞTİ.

SCOPE





PERDESAN[®]
INTEGRAL VENETIAN BLIND





-INTEGRAL VENETIAN BLIND-

Blind systems are developed to control the horizontal sunlight while penetrating the adequate amount of natural light. Blinds within glass also are protected against any dirt, dust and weather conditions. With the advances in technology, blinds used on the surface of the glass are inserted into the panels of glass in order to eliminate the drawbacks of the previous models and make it more practical and durable for the users. Venetian blind systems are manufactured in a wide range of colors with blinds integrated into double glazing units.

Produced in various combinations of glass, venetian blind systems can be controlled manually or by a motorized remote control.

-ADVANTAGES OF INTEGRAL BLINDS-

- Enables the blinds to remain clean in every environment .
- No risk of deformation
- Ensures high levels of heat and sound insulation
- The user can control the light and the view
- Eliminates the need for curtains in the room
- Economizes the heating and cooling expenses
- Adaptable to different types of glasses
- Guaranteed for discoloration and manufacturing defects
- Privacy for private spaces
- Long-term usage

PRD-F-4525 FREQUENCY SYSTEM

Perdesan Venetian Blind - PRD-F-4525 is a magnetic system with manual operation for venetian blinds incorporated within 25 mm insulating glass units.

It is designed to perform a tilt-only function of the blinds. External knob that is secured to the up or down of window frame

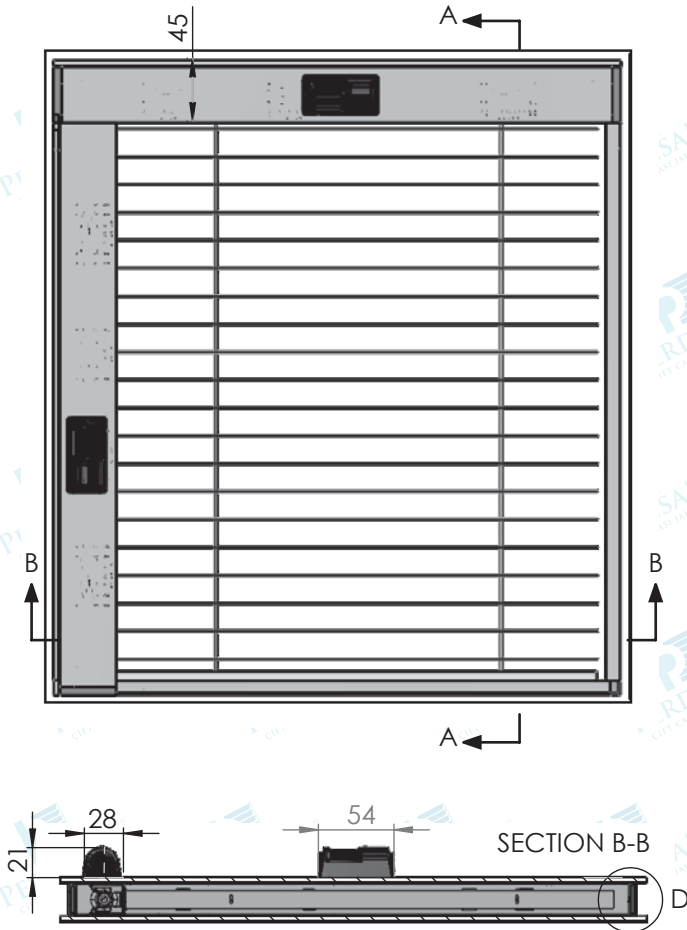
This product can be use easily in public areas such as : Hospital, School and State offices.

-TECHNICAL INFORMATION-

- Portable mechanism
- Axial movement of the stripes (TILT only)
- Applicable to 4mm/5mm/6mm/8mm and 8.1 mm lami panels.
- 16 mm and 12.5 mm blind stripes
- 25 mm Air Gap
- Various color alternatives

Magnetically tested neodymium magnets are used

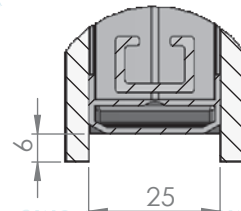




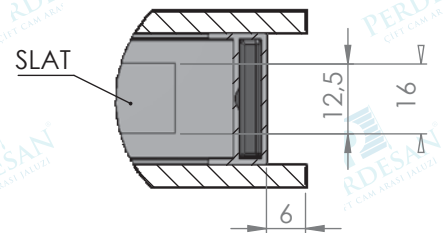
SECTION A-A



DETAIL C



DETAIL D



PRD-M-9016/22 MAGNETIC SYSTEM

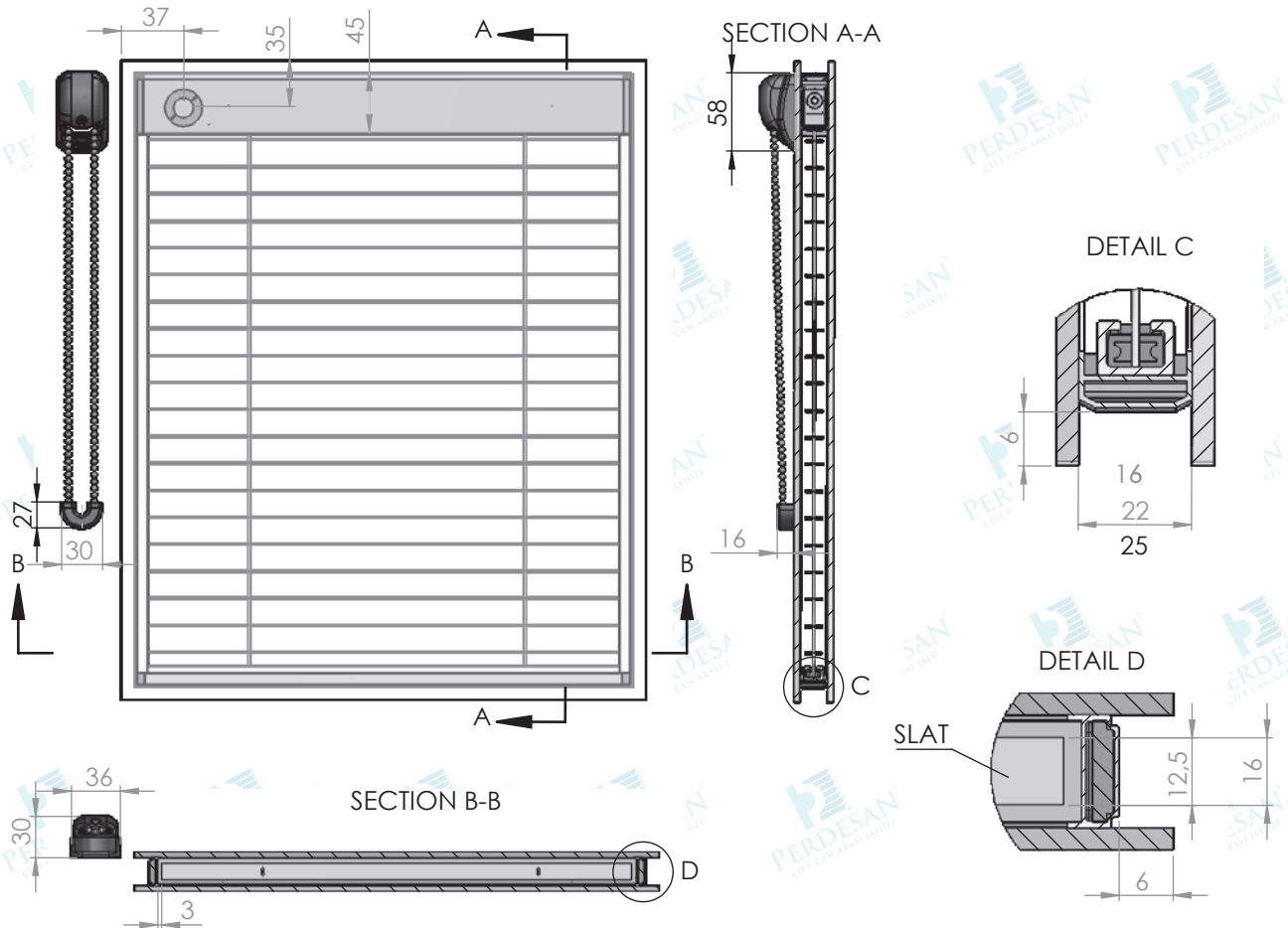
PERDESAN Venetian Blind PRD-M-9016/22 is a manual magnetic system within 16 mm, 22 mm and 25 mm insulating glass units operates by pulling the magnetic external chain unit fixed on the outer surface of the internal glass (either on the right or left corner). External magnetic device contains a cord loop applied on the glass by adhesive tape.

In this way the blinds can have both raising/lowering and tilting function.

-TECHNICAL INFORMATION-

- 16 mm, 22 mm and 25 mm Air Gap
- 16 mm and 12.5 mm blind stripes
- Applicable with the help of narrow body to everywhere integral glass unit is used
- Fit into the window frame like standard insulating glass
- Various color alternatives
- Raising / tilting function
- Magnetically tested neodymium magnets can operate up to 6 sqm
- Blinds with 16 mm spacer can work untill 2.5 sqm
- Applicable to 4mm/5mm/6mm glasses.





PRD-A-9028 MOTORISED SYSTEM

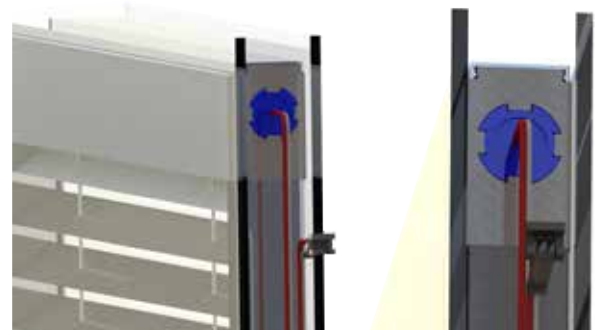
PERDESAN Venetian Blind PRD-A-9028 is a motorised system with raising and tilting function for venetian blinds incorporated within 22 mm or 28 mm insulating glass units.

The self-contained 24w motor is placed in the inner upper casement. No other control device is applied on glass or window frame, the motor is activated by wall-mounted push buttons or remote control. To operate the motor cable should be connected to the adapter cable via socket. System allows raising and tilting function by remote control or wireless wall-mounted push buttons.

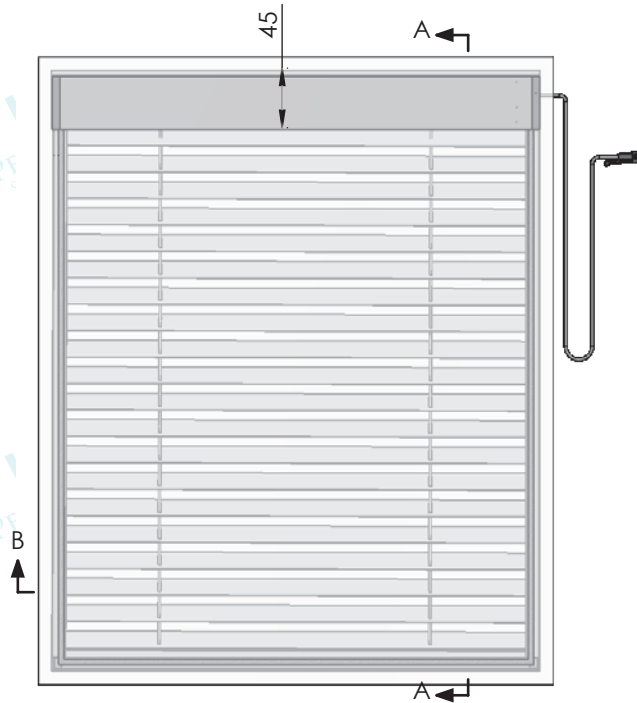


-TECHNICAL INFORMATION-

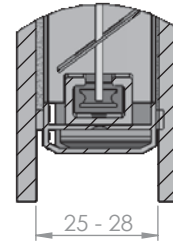
- Quite and powerful motor
- Easy assembling
- Between 1-12 Motor control with one controller
- Optional remote control
- 35 meter command detection distance
- 16 mm and 12.5 mm blind stripes
- 25 mm and 28 mm Air Gap
- Can operate up to 4 sqm



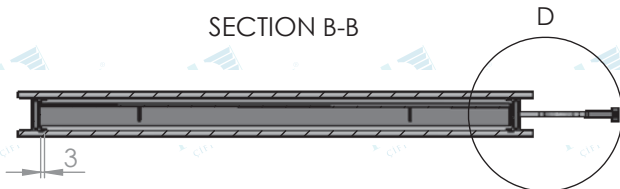
SECTION A-A



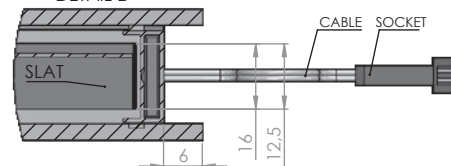
DETAIL C



SECTION B-B



DETAIL D



PRD-H-9016/22 SHAFT SYSTEM

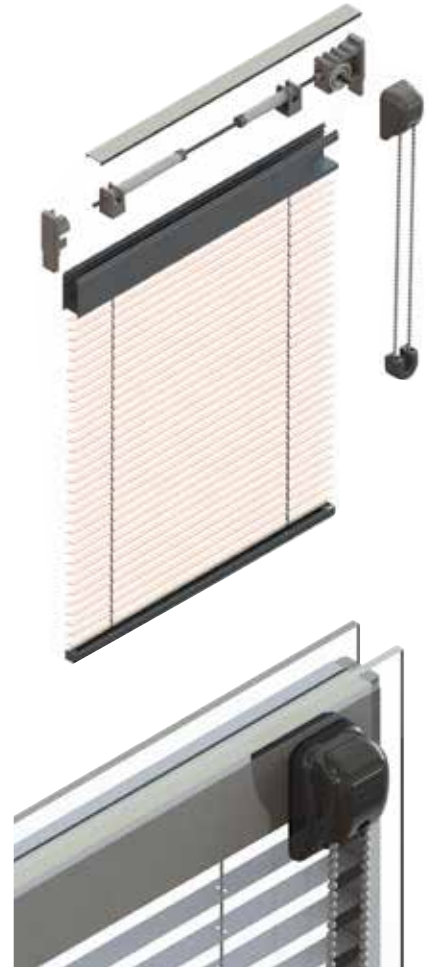
PERDESAN Venetian Blind PRD-H-9022 Shaft System is a system which is manually controlled from the outside of the shaft mechanism that 10mm hole opened to the glass upper surface. It is manual operation for venetian blinds incorporated within 16 mm, 22 mm or 25 mm insulating glass units.

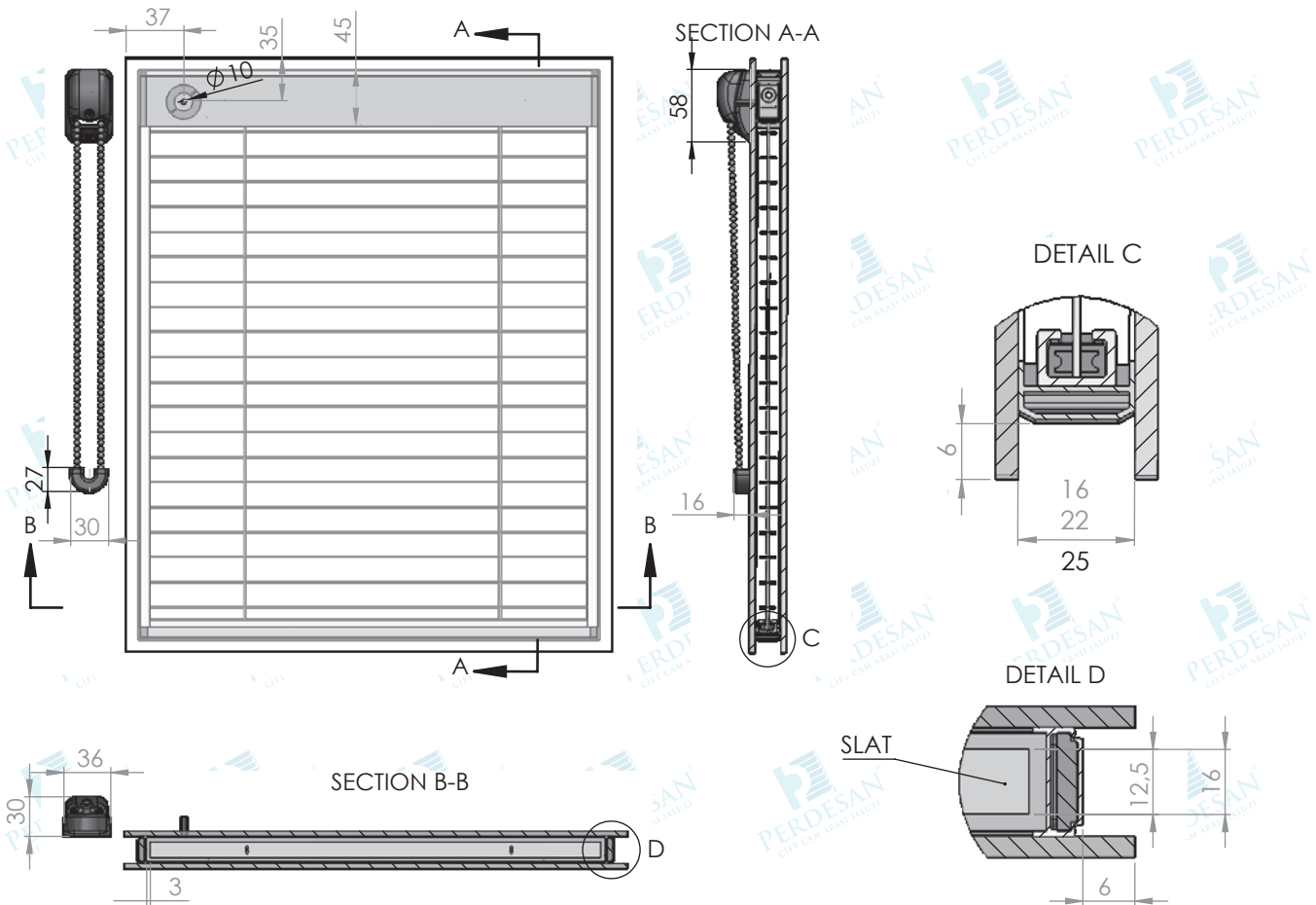
Specially designed gasket placed on the shaft mechanism help to eliminate ventilation problem in double glazing.

System allows raising and tilting function by cord loop applied on the glass. The external mechanism placed on the right and left edges of outer surface of the glass by adhesive high-resistance tape and tension device of mechanism are applied manually.

-TECHNICAL INFORMATION-

- 16 mm, 22 mm and 25 mm Air Gap
- 16 mm and 12.5 mm blind stripes
- Applicable with the help of narrow body to everywhere integral glass unit is used
- Fit into the window frame like standard insulating glass
- Various color alternatives
- Raising / tilting function
- Applicable to all between 4 mm-20 mm glasses.
- Hole diameter 10mm, hole center from top to bottom 35 mm from edge 37 mm
- Can operate up to 6 sqm
- Blinds with 16 mm spacer can work until 2.5 sqm





PRD-SH-9022 SLIDING SHAFT SYSTEM

Perdesan Venetian Blind PRD-SH-9022 is a system which is manually controlled from the outside of the shaft mechanism that 10 mm hole opened to the glass upper surface. It is manual operation for venetian blinds incorporated within 22 mm insulating glass units.

Specially designed gasket placed on the shaft mechanism help to eliminate ventilation problem in double glazing.

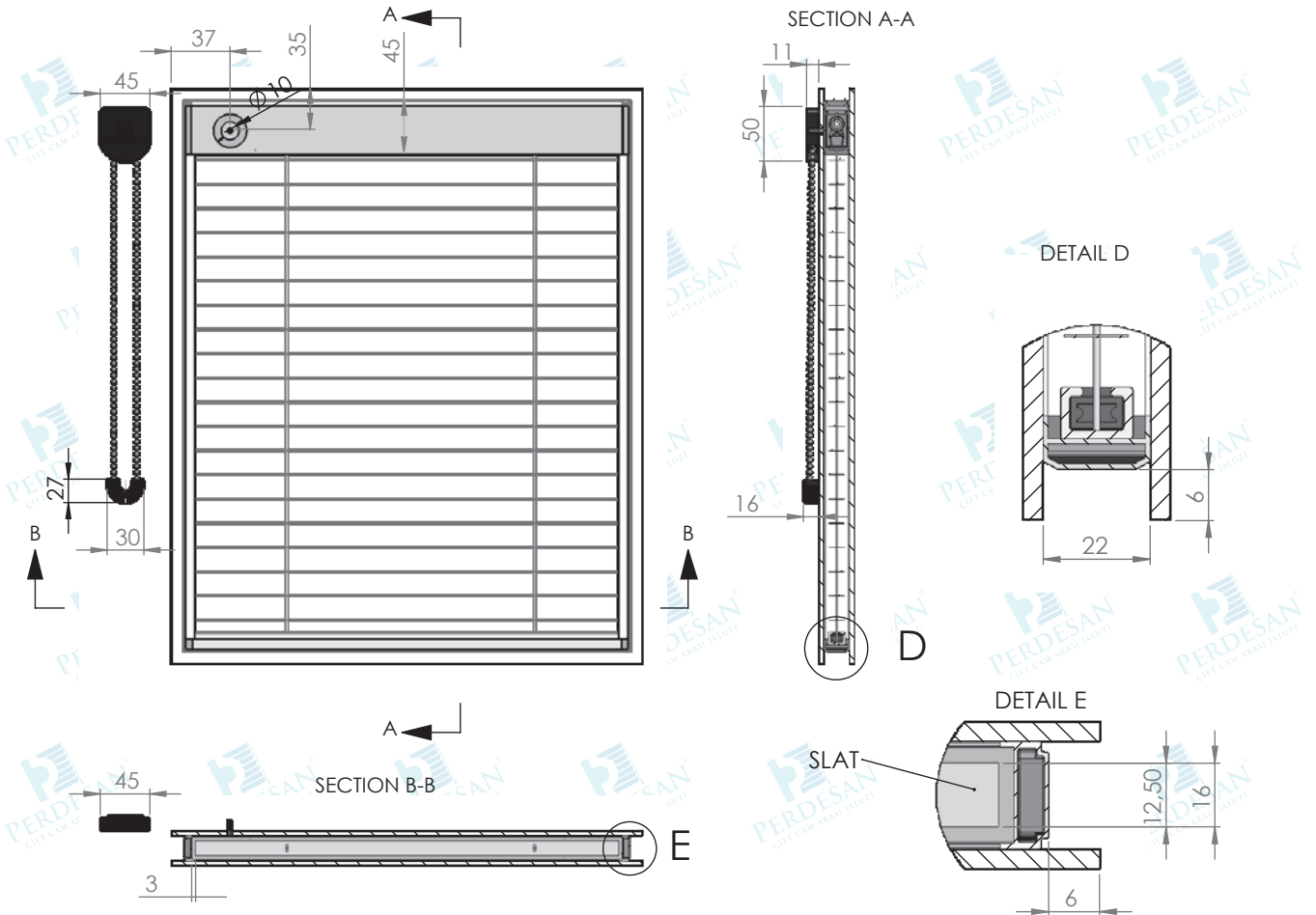
System allows raising and tilting function by cord loop with 11 mm thickness fixed on the glass.

The external mechanism fixed on the right and left edges of outer surface of the glass by adhesive high-resistance tape and tension device of mechanism are applied manually.

-TECHNICAL INFORMATION-

- 22 mm Air Gap
- 16 mm and 12.5 mm blind stripes
- Wing transition easily in sliding profiles.
- Applicable with the help of narrow body to everywhere integral glass unit is used
- Fit into the window frame like standard insulating glass
- Various color alternatives
- Hole diameter 10mm, hole center from top to bottom 35 mm from edge 37 mm
- Raising / tilting function
- Can operate up to 4 sqm





PRD-B-4516/22 BUTTON SYSTEM

PERDESAN Venetian Blind PRD-B-4522 is system with manual operation for venetian blinds incorporated within 16 mm, 22 mm, 25 mm and 28 mm insulating glass units.

It is designed to perform a tilt-only function of the blinds.

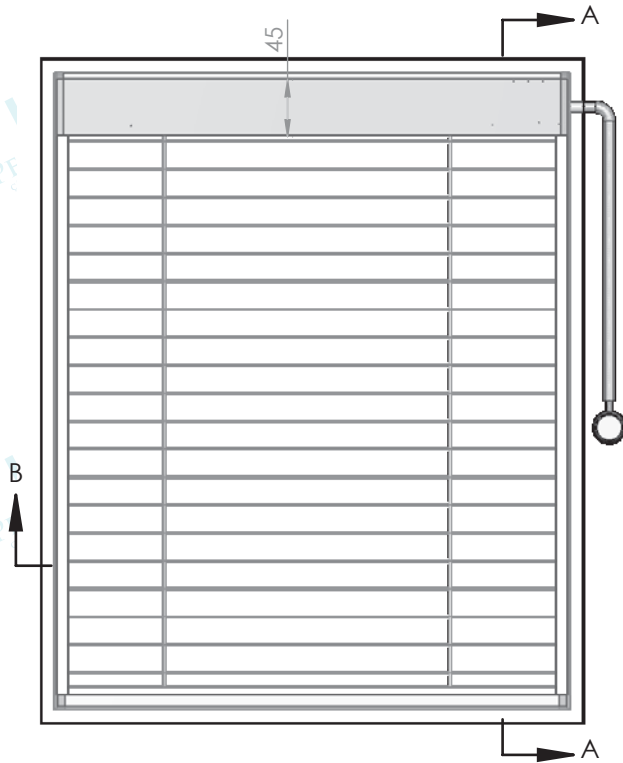
System becomes ready with fixing the steel rope coming out of the upper side of the glass to the buton.

Blinds can be operated in tilt-only function by turning button right or left.

-TECHNICAL INFORMATION-

- 16 mm, 22 mm, 25 mm and 28 mm Air Gap
- 16 mm and 12.5 mm blind stripes
- Applicable with the help of narrow body to everywhere integral glass unit is used
- Fit into the window frame like standard insulating glass
- Various color alternatives
- Tilt only function
- Can operate up to 6 sqm
- Blinds with 16 mm spacer can work untill 2.5 sqm

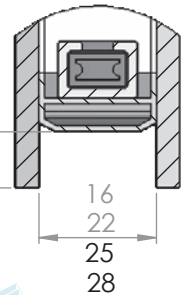




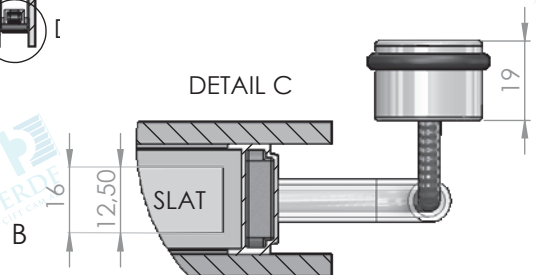
SECTION A-A



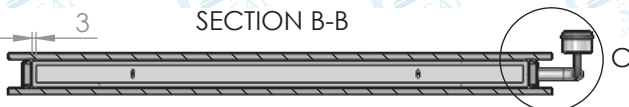
DETAIL D



DETAIL C



SECTION B-B



PRD-OB-4522 BUTTON SYSTEM ON GLASS

PERDESAN Venetian Blind PRD-OB-4522 is a system which is manually controlled from the outside of the shaft mechanism that 10mm hole opened to the glass upper surface. It is manual operation for venetian blinds incorporated within 22 mm and 25 mm insulating glass units.

Specially designed gasket placed on the shaft mechanism help to eliminate ventilation problem in double glazing.

System allows tilt only function by the button fixed on the glass.

-TECHNICAL INFORMATION-

- 22 mm and 25 mm Air Gap
- 16 mm and 12.5 mm blind stripes
- Applicable with the help of narrow body to everywhere integral glass unit is used.
- Fit into the window frame like standard insulating glass
- Various color alternatives
- Tilt only function
- Can operate up to 6 sqm

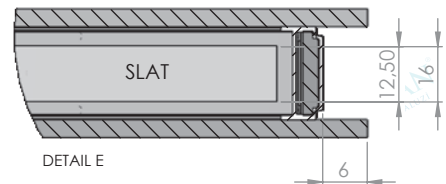
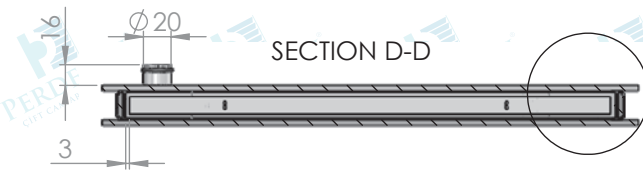
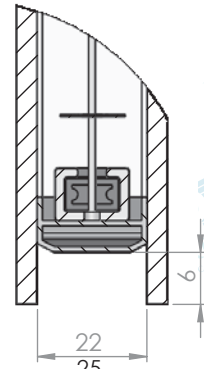




SECTION B-B



DETAIL F



PRD-SL-9020 SLIDING SYSTEM

Perdesan Venetian PRD-SL-9020 is a magnetic system with manual operation for venetian blinds incorporated within 20 mm insulating glass units. It has both raising and axial movement functions.

At PRD-SL-9020 system, magnetic slider optionally placed on right or left side of the glass provides working of blind. The linear movement of slider is provided by narrow fixing stick. Slider is moved toward up-down for raising and lowering of blind. It works axial when the same movement is done softly.

PRD-SL-9020 is produced in conformity with all window frames. It protects the integral glass units from all external effects resulted from dirt, dust and weather conditions, thereby it provides long-term usage.

-TECHNICAL INFORMATION-

- Max sqm is 2.5 m²
- 20 mm air gap
- 12,5 mm blind stripes
- Raising and tilting function
- Chic and ergonomic designed slider device
- Applicable with the help of narrow body to everywhere integral glass is used
- Fit into the window frame like standard insulating glass
- Various colour options
- Applicable to 4 mm / 5 mm / 6 mm glasses.

Magnetically tested neodymium magnets are used.



-GALLERY-



REFERENCES

HOTELS

| | |
|---------------------------|----------|
| LIMAK LIMRA OTEL | KEMER |
| LIMAK ARCADIA GOLF RESORT | BELEK |
| LIMAK LARA DELUXE | KUNDU |
| DEFNE DEFNEM OTEL | SİDE |
| AKRA BARUT OTEL | LARA |
| DİAMOND HİLL RESORT | ALANYA |
| CLUB PHASELIS HOTEL | GÖYNÜK |
| ORKA SUNLIFE RESORT | FETHİYE |
| SÜRAL OTEL | MANAVGAT |
| BELLIS DELUXE HOTEL | BELEK |
| PAPILLION AYSCHA | BELEK |
| RIXOS | BELDİBİ |
| SHEERWOOD BREEZERS RESORT | KUNDU |
| THOR LUXURY OTEL | BODRUM |
| SULTAN OF DREAMS | MANAVGAT |
| GRANADA OTEL | BELEK |
| NIRVANA LAGOON VILLAS | BELDİBİ |

HOSPITALS

| | |
|---------------------------------------|-----------------|
| MEMORIAL | ANTALYA |
| DÜNYA GÖZ HASTANESİ | ANTALYA |
| ANTALYA EĞİTİM VE ARAŞTIRMA HASTANESİ | ANTALYA |
| ONKOLOJİ HASTANESİ | AFYONKARAHİSAR |
| DEVLET HASTANESİ | KULU-KONYA |
| DEVLET HASTANESİ | BEYŞEHİR-KONYA, |
| ARAŞTIRMA HASTANESİ | KONYA |
| DEVLET HASTANESİ | ELAZIĞ |
| MERKEZ EFENDİ DEVLET HASTANESİ | MANİSA |

GOVERNMENT OFFICES

| | |
|--------------------|--------------|
| TARIM İL MÜDÜRLÜĞÜ | ADANA |
| HÜKÜMET KONAĞI | SİVASLI-UŞAK |
| EMNİYET BİNASI | SİİRT |
| EMNİYET MÜDÜRLÜĞÜ | KIRKLARELİ |
| EMNİYET MÜDÜRLÜĞÜ | ADANA |

OTHER PROJECTS

| | |
|---------------------------------|-------------|
| VOLVO | ANTALYA |
| SKODA | ANTALYA |
| OYAK RENAULT | BURSA |
| AGT AĞAÇ SANAYİ | ANTALYA |
| ANTALYA SPOR TESİSLERİ | ANTALYA |
| ATILLA V. KONUK TESİSLERİ | ANTALYA |
| PINARLAR İNŞ. | ANTALYA |
| NATURA PARK | KONYA |
| KESKİN İNŞ. | ADANA |
| KALESİRİUS | MERSİN |
| CANDEMİR İNŞAAT-SAFİR KONUTLARI | GAZİANTEP |
| SEBZECİ YAPI-GRAND DELUXE | GAZİANTEP |
| GÜVENOĞLU İNŞAAT-KORU PARK | GAZİANTEP |
| ÇAKMAK İNŞAAT | BANDIRMA |
| KAVAS YAPI | NEVŞEHİR |
| NEYZAN NOTA | İSTANBUL |
| KELEŞOĞLU İNŞAAT | İSTANBUL |
| VADİ ŞEHİR | İSTANBUL |
| ORHAN ŞAHİN | KEMERBURGAZ |
| KIZILKAYA BELEDİYESİ | BURDUR |
| YENİŞEHİR BEL. SANAT MERKEZİ | MERSİN |
| ANTALYA HAVALİMANI | ANTALYA |

Perdesan Integral Venetian Blind is preferred in many countries of Europe, The Balkans, North Africa and Asia.



PERDESAN INTEGRAL VENETIAN BLIND

Antalya Organized Industrial Zone (AOSB) 3. Part 35. St. No: 24 Döşemealtı / ANTALYA • Tel: +90 242 221 22 29 - Fax: +90 242 340 20 01

info@perdesanjaluzi.com • www.perdesanjaluzi.com