

# ADVANCE7 | windows & doors

casement windows, tilt & turn windows, single leaf and french doors



**SELECTA**  
SYSTEMS

# ADVANCE 70 WINDOW & DOOR SYSTEM

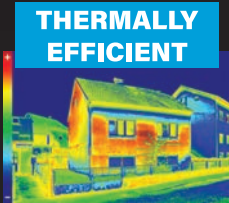
CHAMFERED SUITE    SCULPTURED SUITE

The ADVANCE 70 chamfered and sculptured profile system offers a 70mm frame depth and is extruded and distributed from our Birmingham headquarters in the heart of the UK, using lead-free PVCu material.

The chamfered 1700 system gives a modern look where-as the curved frame and sash on the 1800 sculptured system provides a softer appearance.

Our partnership with one of the leading and most recognised home security brands, Yale, means that the ADVANCE 70 system can utilise the benefits of high security multi-point locking systems for enhanced security. Therefore, PAS 24, Secured by Design (SBD) and Document Q compliant window and door options are available for new build and commercial projects.

Fabrication and fitter friendly, the fully integrated ADVANCE 70 Window and Door System provides great versatility for fabricators, installers, homeowners and specifiers.



## THERMALLY EFFICIENT

Five chambered system for greater thermal efficiency



## ENHANCED SECURITY

PAS 24, SBD and Doc Q compliant window and door profile system



## EXCELLENT PERFORMANCE

Recycled Thermal Reinforcement (RTR Bar) for increased thermal performance or steel reinforcement for added structural strength



## INNOVATIVE DESIGN

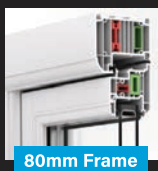
A full depth central eurogroove helps to make windows and doors more secure



## PURE ELEGANCE

A sculptured design for a softer finish or a chamfered edge for a modern look

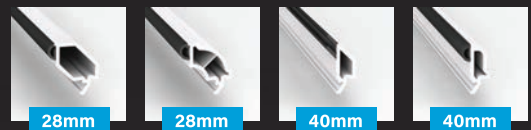
## Profile Options & Technical Drawings



The ADVANCE 70 Window System also offers a traditional 80mm, 8 chambered frame to replicate authentic timber frames.

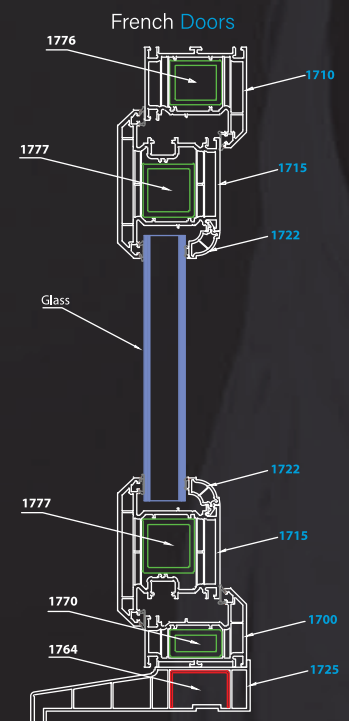
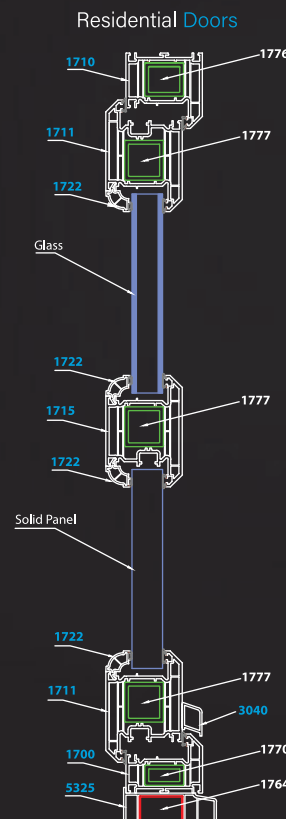
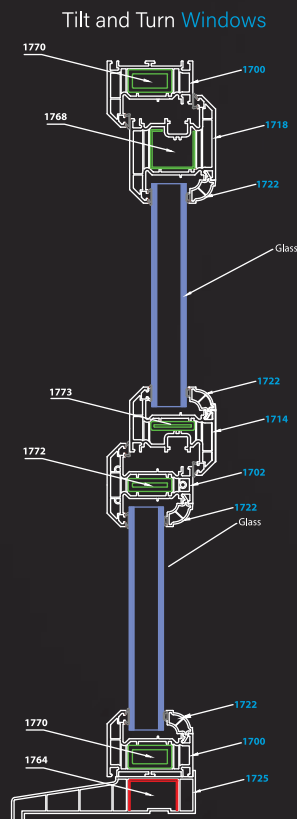
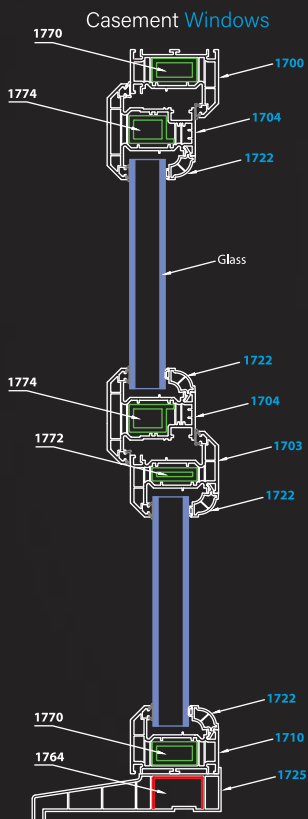
The traditional 80mm frame is best suited to your cottage and heritage styled properties, with the benefit of increased thermal performance, owing to its 8 chambers.

The frame has also been tested to PAS 24 compliance, therefore meeting the enhanced security requirements of Document Q.



The 28mm double glazing and 40mm triple glazing beads are available in both chamfered and sculptured to compliment the ADVANCE 70 suite of window and door profiles.

The single lead beads with co-extruded bubble gaskets provide excellent compression and weather sealing.



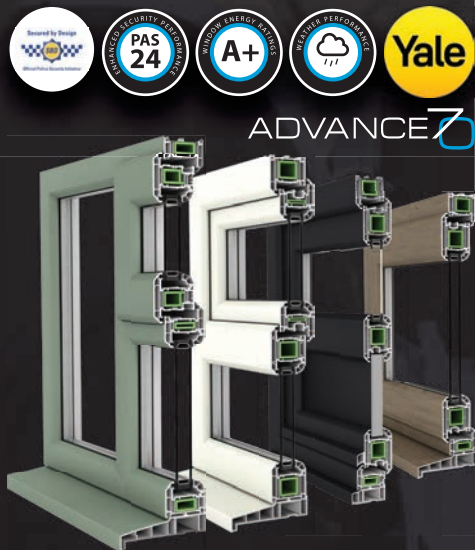
# THE VERSATILE PVCu WINDOW & DOOR SYSTEM

The ADVANCE 70 Chamfered and Sculptured PVCu Window and Door Profile System

## Windows & Doors

A comprehensive range of window and door options

- Chamfered or Sculptured option
- Secured by Design, PAS 24 and Doc Q compliant for enhanced security
- 17 colour options & 34 colour ways
- Five chambers for greater thermal efficiency
- RTR Bar (Recycled Thermal Reinforcement) for increased thermal performance
- Full depth eurogroove
- Single leg bead for easy installation



## Weather Performance

The ADVANCE 70 Window and Door System is at the cutting edge of modern design and technology to ensure excellent weather resistant performance.

These innovations in modern PVCu design not only protects the property from inclement weather conditions, they also increase the lifespan of windows and doors.

## Thermal Performance

The thermal performance of the multi-chambered ADVANCE 70 Window and Door Systems ensures that excellent U Values, and where required, A+ energy ratings can be achieved with a 28mm DGU or 40mm TGU - Both incorporating 4mm glass.

Window  
**U Value 0.8** W/(m<sup>2</sup>K)  
Achieved with a 40mm TGU  
Incorporating 4mm Glass

Window  
**U Value 1.1** W/(m<sup>2</sup>K)  
Achieved with a 28mm DGU  
Incorporating 4mm Glass

Building Regulations Approved Document L and Future Homes Standard Compliant



Contact [technical@selectasystems.com](mailto:technical@selectasystems.com) for further information on glass specifications

## Weather Test Results

**Top Hung Casement**  
(L) 1300mm x (H) 400mm  
**Side Hung Casement**  
(L) 600mm x (H) 1200mm  
**Fixed Windows Part Reinforced**  
(L) 1550mm x (H) 1550mm  
**Multilight Windows, RTR or Steel Transom / Mullion Reinforcement**  
(L) 1908mm x (H) 1330mm

### Windows

<b>Air Permeability Classification</b>	2
<b>Water Tightness Classification</b>	9A 600 Pa
<b>Resistance to Wind Resistance</b>	A5
<b>Exposure Category In Accordance with BS 6375 Part 1</b>	2000 Pa

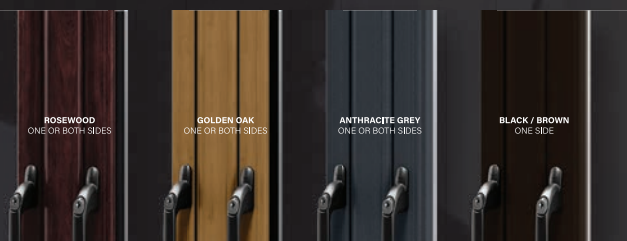
### Doors

	<b>Single Leaf and French Door Set</b>
<b>Size Tested</b>	(L) 1800mm x (H) 2100mm
<b>Air Permeability Classification</b>	3
<b>Water Tightness Classification</b>	3A
<b>Resistance to Wind Resistance</b>	A3
<b>Exposure Category In Accordance with BS 6375 Part 1</b>	1200 Pa

## Colour Options

An attractive range of 17 traditional and modern foiled colours and woodgrain effects are available for the ADVANCE 70 Window and Door System.

### standard collection



### premium collection



Please note colours are for illustration purposes only and may vary in the print process

View our colourfoil swatch for finish and colour shades



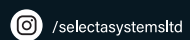
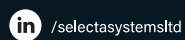
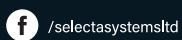
#bepartofthefamily



0121 325 2100

| [info@selectasystems.com](mailto:info@selectasystems.com)

| [www.selectasystems.com](http://www.selectasystems.com)



ADVSTS02-11/24