





Danish architect Claus Dyre invented the linear drain in 2003 and made Unidrain's unique floor drain system the first linear drain in the world. Since then, various products have been added, all with the same focus on function and design. Unidrain's products have received several international design awards.

**ORIGINAL ARCHITECT INVENTION
- THE FIRST LINE DRAIN IN THE WORLD**









CLASSICLINE

ClassicLine is the original design range from Unidrain, and consists of frame and grating. Six elegant and timeless designs in brushed stainless steel ensure a solution to suit any taste.



Classic Column Inca



Square Stripe Anniversario



ClassicLine floor drain | Square
GlassLine shower screen | Transparent



**10 YEAR ANNIVERSARY
GRATING ANNIVERSARIO**

Unidrain celebrated its 10th anniversary in 2013, extending its design portfolio with a new ClassicLine grating





GlassLine shower screen | Transparent
ClassicLine floor drain | Column



GlassLine shower screen | Transparent
GlassLine shower door
ClassicLine floor drain | Column



Top rail | steel



Integrated floor drain



GLASSLINE - STATE OF THE ART

Unidrain GlassLine is a glass wall solution with an integrated floor drain and built-in slope, securing an easy installation and water tight solution.

Only a discreet steel frame is visible along the wall and floor, showcasing the elegant lines and providing a timeless look.

Glass surfaces are treated with GEWE-clean® for easier maintenance.

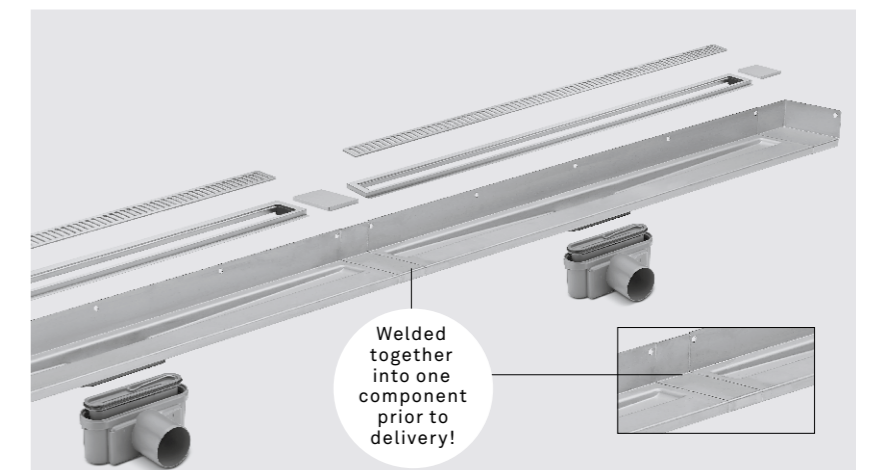


ClassicLine floor drain | Classic
ClassicLine soap shelf | Classic



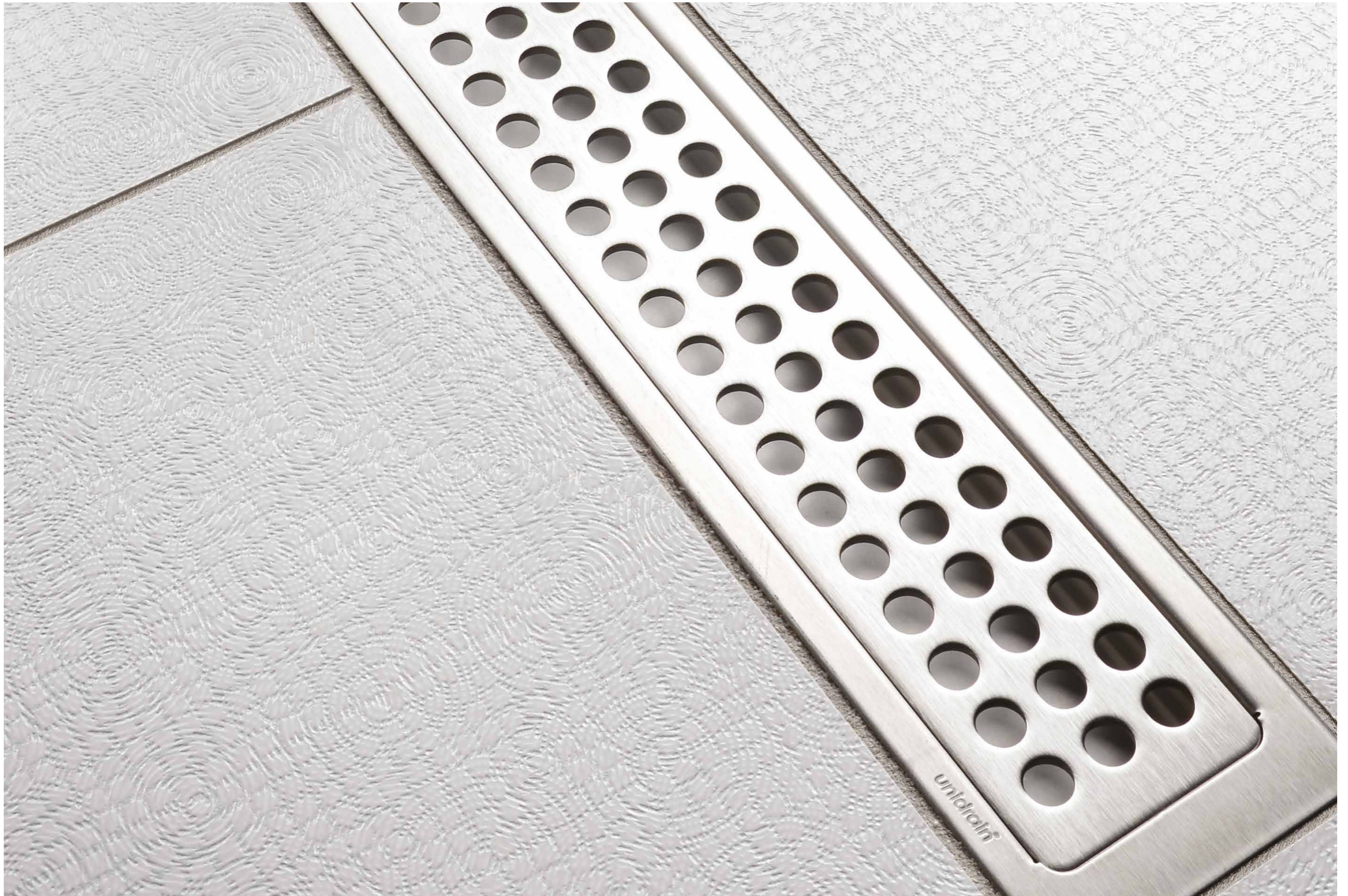
BESPOKE DRAINS

Unidrain Bespoke (Module 1100) is the flexible solution for any size of bathroom. Unidrain Bespoke makes it possible to produce floor drains in any length and along several walls. This flexibility makes Bespoke the ideal solution for hotels, sports centres, schools and wellness facilities, or for an exclusive private bathroom.

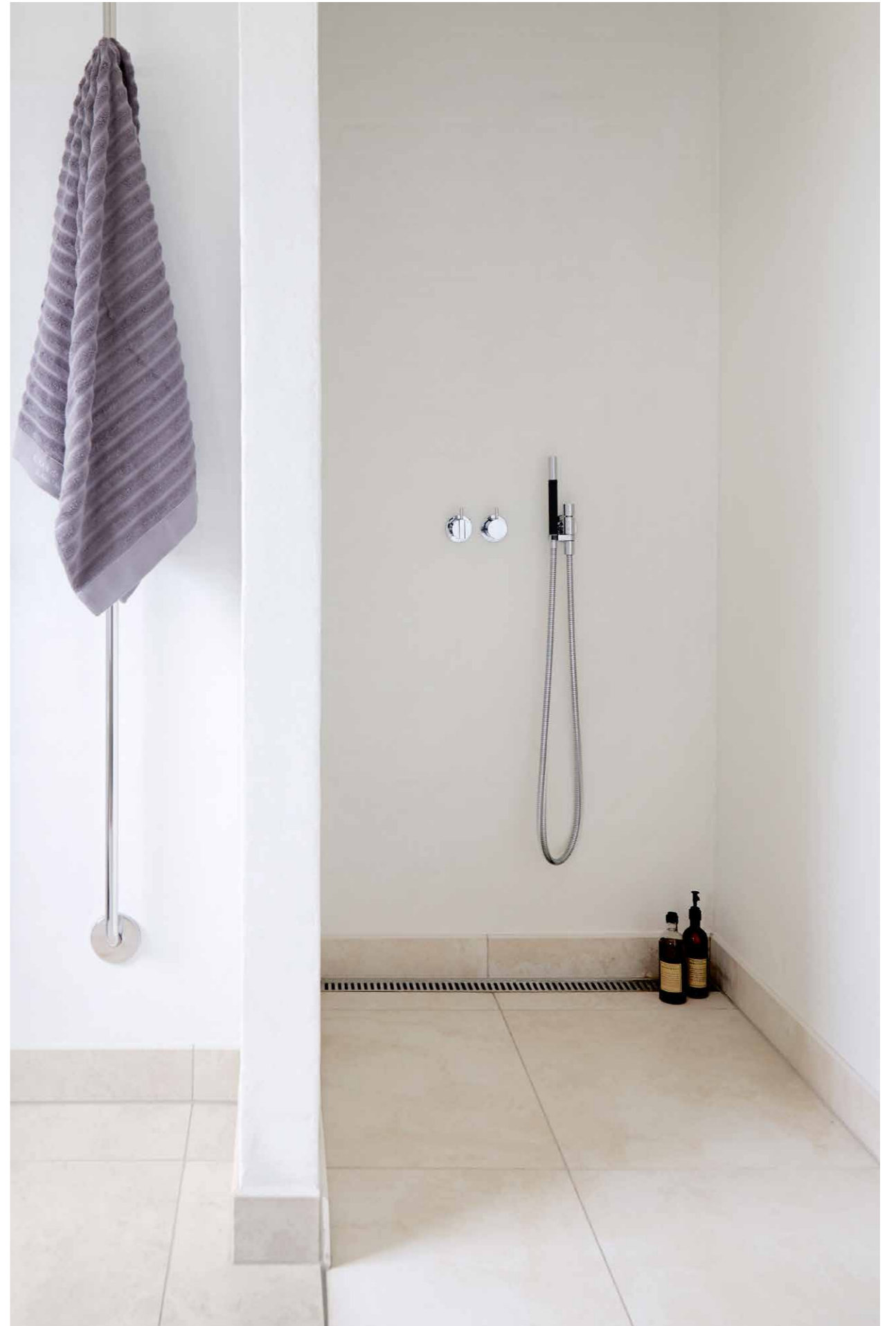




Claudio Bellini | Stripe
GlassLine by Bellini | Showerhead



ClassicLine floor drain | Classic



ClassicLine floor drain | Column



CORNER DRAIN

A corner drain is a discreet solution for bathrooms and utility rooms with limited space. They are significantly smaller than the equivalent floor drains on the market. Furthermore, they are placed in the corner against the walls, creating more space in the shower cubicle



ClassicLine corner drain | Classic
ClassicLine corner drain | Anniversario
ClassicLine corner drain | Column



SOAP SHELVES

Our elegant soap shelves are designed to complement the ClassicLine floor drain. They are available in linear and corner models.



