



Quality
Made in
Germany

Planing

MARTIN



Turning rough
ideas into
smooth results!

Results really can be that smooth.

If you wish to precisely plane solid wood and apply angled edges, what you need is a reliable surface planer. If, in a second step, you need to process the material to a precise thickness or width, a modern planer is what you require. The result: a perfectly smooth, pure and velvety surface.

In addition to their high-quality basic equipment, MARTIN planers also feature numerous useful and partly patented options. We also have combination machines which bring together the characteristics of different types of machines.

You can conveniently configure your MARTIN planer according to your individual needs online at

www.martin.info



Specifications	8
T32	10
T32 options	14
T45	22
T45 Contour	28
T45 T45 Contour options	32
Plastics processing	42
T54	46
T54 options	52
Dimensional sketches	60



MARTIN. Made in Germany.

MARTIN has been manufacturing machines in Germany for over 100 years. We only work with high-quality materials and components. All of the crucial components of our machines are produced at our in-house state-of-the-art production facilities in Ottobeuren (Germany) by well-trained, motivated employees. No MARTIN planer leaves our plant before it has undergone the strictest quality controls. In addition, thanks to our well-respected and efficient brand suppliers, we guarantee high flexibility during production, perfect adaptability to current requirements and first-class quality of all purchased components. Read on and find out for yourself!



Masterpieces crafted
from over 100 years of experience

T32



Huge flexibility in the smallest space.

The combined thickness/surface planer.

The compromise for everyone who hates compromises. The T32 has an impressive space-saving design and yet offers exceptional flexibility at the same time. You can change from surface planing to thickness planing – or vice versa – in seconds. As a result, it also serves the requirements of large planers in smaller workshops.

Already perfectly equipped in the standard version, thanks to its powerful 5.5 kW motor, this practical machine offers a number of options that are well worth considering. A TERSA solid steel cutter block or the optional 7.5 kW drive for tackling special challenges are just two examples that make entering the world of MARTIN planers even more attractive. The robust “Made in Germany” machine design also ensures long-lasting precise performance with this compact machine.



Configure
your T32.

T45



Strength is born out of serenity.

The thickness planer for greatest precision.

The T45 produces perfect results quickly, quietly and powerfully. It is the ideal planer for efficient and precise surface processing. Thanks to the easy-to-operate control system, the removal of large chips of up to 12 mm is as easy as the finest planing work right down to a residual thickness of 1.5 mm. Therefore, the T45 offers the ideal conditions for achieving perfectly planed surfaces.

Thanks to its versatile accessories, the machine meets your requirements perfectly, whether you are a carpenter looking for a stable, robust machine or a joiner who places the greatest value on the finest surfaces. The machine can even be optimised for the very particular requirements of plastics processing. Quick and easy to operate, it delivers cleanly planed surfaces in each configuration, and will become a solid, durable component of your workshop.



Configure
your T45.

T45 Contour



Thickness planing or profiling?

The perfect machine for those who want both.

As it is also capable of profiling, the T45 Contour takes on a special role among planers, as in addition to all the possibilities of a classic planer, it also offers you the qualities of a fully adequate profiling machine.

Changing profile blades is almost as easy as changing TERSA blades. The setting gauge, which is provided as standard, facilitates the exact alignment of the blades and even profile widths of up to 630 mm can be produced in perfect quality without any problem.

The T45 Contour offers two variants which differ in the profiling depth that is achievable. The cutter block is also available with two or four holders for corrugated profile blades. You should expect perfect results from all variants.



Configure
your T45
Contour.

T54



Perfect results in every angle.

The surface planer for optimum groundwork.

The T54 is a surface planer which carries out two complex jobs: it perfectly planes workpieces and quickly and reliably provides them with angled edges.

The smooth-running main fence with an integrated auxiliary fence enables quick and precise work. Guided by ball bearings, the jointing fence runs smoothly and without tilting along tempered tracks – and years later, it is still as precise as it was on the very first day. Even chamfers can be planed effortlessly because with the user-friendly, single-handed adjustment, every angle between 90° and 45° can be set quickly. After all, it is only with perfect preparation that you can get the perfect end result.



Configure
your T54.



Specifications

T32

T45

Optional motor power	5.5 kW 7.5 kW	5.5 kW 7.5 kW 11.0 kW
Cutter block speed optional	5,000 rpm 6,000 rpm	5,000 rpm 6,000 rpm
Cutter block optional	TERSA Z4 Xplane	TERSA Z4 Xplane
Cutter block diameter	120 mm	125 mm
Planing height optional	3 – 250 mm	2.8 – 300 mm 1.5 – 300 mm
Planing width	530 mm	630 mm
Chip removal	max. 8 mm	max. 12 mm
Control	without	1-axis control system
Feed optional	6 12 m/min 5 – 20 m/min continuous	6 12 m/min 5 – 25 m/min continuous
Profiling depth	–	–
Extraction connection	140 mm	160 mm
Weight	approx. 1,000 kg	approx. 1,200 – 1,400 kg

T45 Contour¹⁵

T45 Contour²⁵

T54

Optional motor power	7.5 kW 11.0 kW	7.5 kW 11.0 kW	5.5 kW –
Cutter block speed optional	5,000 rpm 6,000 rpm	5,000 rpm 6,000 rpm	5,000 rpm 6,000 rpm
Cutter block optional	TERSA Z4 plus 2 grooves for profile blades TERSA Z2 plus 4 grooves for profile blades	TERSA Z4 plus 2 grooves for profile blades plus TERSA Z2 plus 4 grooves for profile blades	TERSA Z2 Xplane
Cutter block diameter	125 mm	125 mm	125 mm
Planing height optional	2.8 – 300 mm	2.8 – 300 mm	–
Planing width	630 mm	630 mm	500 mm
Chip removal	max. 12 mm	max. 5 mm	max. 8 mm
Control	1-axis control system	1-axis control system	without
Feed optional	6 12 m/min 5 – 25 m/min continuous 2 – 12 m/min continuous	6 12 m/min 5 – 25 m/min continuous 2 – 12 m/min continuous	– –
Profiling depth	max. 15.5 mm	max. 25 mm	–
Extraction connection	160 mm	160 mm	160 mm
Weight	approx. 1,200 – 1,400 kg	approx. 1,200 – 1,400 kg	approx. 1,200 – 1,250 kg

T32

Simple, robust, flexible – that's the T32.

Even if space is limited, you don't have to do without high-quality machine technology. The T32 combined surface/thickness planer delivers first class planing and thickening results in the smallest space.

Thanks to the robust machine table made of grey cast iron, and a powerful feed, this compact machine produces top-class work results right from the start. Easy to handle, with ergonomic operation, you optimise your work processes and reduce costly set-up times.

You can change from planing to thickening mode and vice versa in seconds. You can also opt for electromotive support when folding the machine tables up and down. The motorised height adjustment of the thickening table with digital dimension display provides maximum operating comfort even in the standard version.

The workpieces are conveyed through the machine at 6 or 12 m/min. A continuous feed is also available as an option for thickness planing tasks. The workpieces are transported on the infeed side by a steel spiral infeed roller, and on the outfeed side by a rubber roller.



[Configure
your T32.](#)

T32 with accessories

T3201 | Motor rating 7.5 kW

T3203/3 | Xplane cutter block

T3232 | Infinitely variable feed rate 2 - 20 m/min

T3241 | Electromotive folding up and down

T3262 | SUVAmatic bridge protection device



Surface or thickness planing?

Changing between surface and thickness planing takes just a few seconds. This guarantees you the shortest set-up times and means that you can work quickly even in confined spaces. If you wish, you can even tilt the table using the electromotive support.

All operating elements are easy to access and clearly arranged on the pleasantly inclined control panel.

Rapid thickness variation variable feed.

Including in the standard version, the thickness planing gauge can be moved electromotively according to a digital display.

You can continuously adjust the feed as you wish to between 5 and 20 m/min, and in the standard version, the two speeds of 6 and 12 m/min are available.



Fence scale | standard

Joints and chamfers made easy.

The smooth-running fence on the T32 can be easily and precisely adjusted to any angle between 90° and 45°. The integrated auxiliary fence is immediately ready for safe machining of narrow workpieces.



A large number of options for efficient planing.



TERSA cutter block | standard

TERSA cutter block.

The TERSA solid steel cutter block with 4 blades ensures the best surfaces. By using dummy blades, you can quickly and easily convert the Z4 into a Z2 assembly. Changing blades takes a matter of seconds and in doing so, you have four qualities of blade to choose from.



Xplane cutter block | T3206/3-a

Xplane cutter block.

For a fascinating surface finish even on wood types that are difficult to process: MARTIN's 3-row Xplane cutter block is truly impressive with its exceptionally smooth operation, even when idling. This quality is enhanced once the cutter block is engaged – because it operates remarkably quietly. Another advantage: even removing the largest amounts of wood requires a surprisingly low motor rating.

Folding the table up and down.

Folding the table up is quick and easy thanks to the spring support, which can also be electrical if you so require. Connection to the suction system always remains in force which saves you set-up time.

Electric table folding T3241-a



T32 Options

Operation

The T32 operating elements are easily accessible and clearly arranged at the front of the machine. Whether surface or thickness planing, all operating elements are always perfectly accessible.

Combined with the easy-to-read digital display of the planing height dimensions, the motorised height adjustment, available as standard, considerably speeds up your work. The resolution of 0.1 mm ensures great precision.

Operation

Control panel ergonomically inclined in the machine frame

T32

Standard



Control panel

Cutter blocks

Through the use of different cutter blocks, the T32 can be perfectly adapted to the tasks required of it. Thanks to the standard Z4 **TERSA** solid steel cutter block with its form-locked knife holders, all surfaces can be planed perfectly. Changing blades takes just a few seconds. **TERSA** reversible blades are available in different qualities and with different geometries. So the right blade is available for any task.

A modern alternative is the optional **Xplane** cutter block with its three rows of spirally arranged carbide cutters. The cutter block delivers impressively clean surfaces, especially with knotty woods, and also reduces the machine's noise emissions to a surprising degree. The lifetimes of the carbide blade are about 20 times longer than that of high-speed steel blades and thus noticeably reduce running costs. The Xplane cutter blocks are delivered with a rotational speed of 6,000 rpm instead of the standard 5,000 revolutions.

Cutter blocks

- TERSA Z4 solid steel cutter block
- Xplane solid steel cutter block with 3 rows of spirally arranged cutters
- Xplane maintenance set

T32

T3204 | standard

T3206/3

T4509/5



TERSA cutter block | standard



Xplane cutter block | T3206/3

Safety guards

The fence runs precisely across the table without tilting. The auxiliary fence, available as standard, is already integrated into the main fence so that narrow workpieces can also be fed safely over the T32's machine table.

The machine is equipped with a bridge guard as standard which safely covers the cutter block. The guard can also be folded back in sections to facilitate handling.

Whether surface or joining, the optional, modern SUVA bridge guard over the cutter block offers you the best in convenience and safety. It is a quick and adjustable safety guard which has proven itself outstandingly in practice.

	T32
AIGNER fence with integrated auxiliary fence	Standard
CPS safety guard	T3260 standard
Suvamatic safety guard	T3262



AIGNER edging fence | standard



CPS bridge guard | standard



Suvamatic bridge guard | T3262

Motor

The T32's standard motor rating is 5.5 kW.

kW (hp)	T32
5.5 (7.5)	T3200 standard
7.5 (10)	T3201

Table systems

The T32's machine tables are finely planed, which offers unbeatable advantages when working with wet woods.

To change the machine from surface to thickness planing mode, release the locking lever on the surfacing tables and fold them open with the spring support. Unintentional folding down, while doing so, is completely impossible. Now, simply close the cutter block cover and you're ready for thickness planing.

The suction system remains continually connected; no reconnection is required. To change from thickness planing to surfacing mode, open the cutter block cover while the machine is at a standstill, release the table lock, tilt the table horizontally, and lock it again. Now you're ready for surface planing.

Folding up and down the surface planing tables is even more convenient with the optional motorised support. In this case, you open or close the tables simply by pressing a button.

Table systems	T32
Spring supported folding/unfolding of surface planing tables	T3240 standard
Electromotive folding/unfolding of surface planing table	T3241



T32 equipped for dressing mode



T32 equipped for thickness planing mode

Feed – material transport

You can switch between the standard feed speeds of 6 and 12 m/min when planing. The feed speed can be even more finely adjusted with the optional, continuously adjustable feed speed control. This option enables variable feeds between 5 and 20 m/min. As standard, the T32 is equipped with a steel spiral infeed roller and a rubber outfeed roller.

Feed	T32
Switchable feed 6 12 m/min	T3220 standard
Continuously adjustable feed speed 5 – 20 m/min	T3221
Steel spiral infeed roller	T3216 standard



T32 switchable feed | standard



Continuously adjustable feed | T3221



Spiral infeed roller | standard



T45

Quickly and quietly delivers precise planing results.

The T45 planer offers the ideal conditions for modern production: it supplies cleanly planed surfaces, is quick and easy to operate and also works extremely quietly.

Thanks to a memory space for 99 planing dimensions, the standard electronic control system makes adjusting the planing height so easy that even the very first workpiece fits perfectly. Of course, the thickening table can also be moved or raised upwards in steps of 0.1 mm simply by pressing a button. The feed control elements are also within easy access.

With its high-quality cutter block, the sturdy, vibration-damping composite frame is a guarantee for excellent surfaces. Thanks to the sound-absorbing design, you can work quietly even with the standard version. If you opt for the Xplane spiral cutter block, you will hardly be able to hear the machine at all.

The workpiece, which is driven through the machine by the feed rollers and held in place by the pressure bars, exerts high thrust and pressure forces on the machine table. These are securely absorbed by the table's four supporting spindles while the two prismatic guides divert the shear forces into the robust frame. This solution, which is as elaborate as it is intelligent, permanently ensures perfectly machined workpieces.

The wide range of accessories enable you to adapt the machine perfectly to your requirements. Whether you are working with large, heavy cross-sections, small, fine workpieces or very special materials such as plastics, you can always configure the T45 perfectly to your requirements.

T45 with accessories

- [T4506/3 | Xplane - cutter block](#)
- [T4501 | Motor rating 7.5 kW](#)
- [T4510 | Continuously adjustable feed 5 - 25 m/min](#)
- [T4518 | 2nd outfeed rubber roller](#)
- [T4522 | Thickening table extension 1,200 mm](#)
- [T4531 | Central lubrication pump](#)

With these controls, you save time.
The standard, clearly arranged design of the T45's control system tangibly speeds up the machine's operation. The electronics have a memory capacity for 99 planing dimensions and any definable incremental dimension can be assigned under program "0".



Configure your T45.

Blade changes – in seconds, with TERSA.

Thanks to the TERSA cutter block with its form-locked knife holders, all surfaces can be perfectly planed. It takes less than a few seconds to change blades. Available in various qualities, TERSA reversible blades offer the perfect blade for every task. In addition, by using two dummy blades, the standard Z4 cutter block can also be operated as a Z2 cutter block.

Xplane – the future has begun.

The 3-row Xplane cutter block works with shear cuts which is a rare thing on the market. This produces a particularly high-quality surface, especially when it comes to working with difficult types of wood. In addition, due to its special design, it boasts a remarkably smooth operation, even when idling. And even removing the largest amounts of wood requires a surprisingly low motor rating – efficiency at the highest level.



Thin board – planed, not drilled.

MARTIN is probably the only manufacturer in the world to offer the possibility of planing wood and also plastics down to a residual thickness of 1.5 mm. In particular, the impact resistance at the inlet and outlet is extremely impressive. These options were developed to meet the requirements of plastics processing, however they are appreciated by those working on the finest wood surfaces too. That not only includes specialists, such as instrument or model makers, but also carpenters with particularly high demands.



Switching and controlling for professionals.

All of the T45 control elements are centrally arranged in a clearly laid out manner. When the start button is pressed, the machine starts up smoothly. One press on the stop button is sufficient to electrically brake the cutter block without causing wear or tear. The switching elements for the feed are also within easy access. Either as standard with speeds of 6 and 12 m/min or continuously adjustable, as an option.

Thanks to a memory capacity for 99 planing dimensions, the electronic controls make adjusting the planing height so easy that even the very first workpiece fits perfectly. Of course, the thicknessing table can also be moved or raised upwards in steps of 0.1 mm simply by pressing a button.



The perfect basis for perfect work.



Robust and stable – the composite frame.

The T45's machine frame is a stable, thick-walled composite structure of a type and perfection that is unique to MARTIN. This design was invented by Otto Martin and granted a utility model way back in the 1920s.

Following 100 years of continuous improvements, MARTIN still uses this very simple yet ingenious principle of frame construction today. The intelligent combination of the two materials, steel and concrete, creates a high-quality frame that is unparalleled in terms of stability, damping capacity and torsional rigidity. The vibrations that occur on every thickness planer are absorbed far more effectively than with welded constructions.



The unique structure of MARTIN composite stands results in incomparable stability.

T45 Contour

Profiling and planing across the full width.

When a planer becomes a profiler. The T45 Contour offers unique solutions around the world for reliable planing and profiling of surfaces in one pass.

Commercially available corrugated blades can be quickly and easily inserted into the profile blade grooves. The blades are inserted radially; the standard blade setting gauge considerably reduces set-up times. Profiles can be planed quickly, easily and with repeated accuracy up to 630 mm in width and 25 mm in depth.

The T45 Contour opens up a previously unimaginable variety of new products and possibilities. Whether you wish to quickly and easily add attractive profiles to infill panels or “plane” grooved terrace decking in a single production step, the T45 Contour will increase your company’s product range enormously!



Configure
your T45.

T45 Contour²⁵ with accessories

T4503 | Motor rating 11 kW

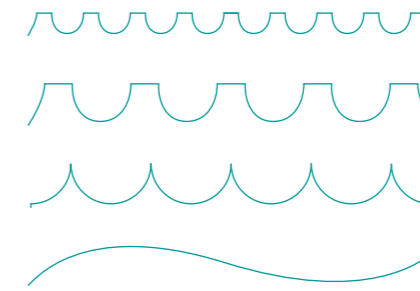
T4505/4 | CONTOUR cutter block

T4511 | Continuously adjustable feed 2 - 12 m/min

T4518 | 2nd outfeed rubber roller

T4522 | Thickening table extension 1,200 mm

T4541 | Second guide ridge



Staying flexible.

In general, a thickness planer can do one thing above all else – it can plane workpieces to thickness. With the T45 Contour, MARTIN is offering a machine which, in addition to thickness planing, can also profile entire surfaces.

This means that with this machine, profiled seat surfaces, grooved terrace decks, round bars and so much more can be produced quickly and easily. Make the most of these possibilities!



That's how easy profiling is.

Profiling with a planer – it's as easy as it looks. Profile blades, which you can have made at any tool grinding shop, are inserted radially into the cutter block, aligned with the setting gauge, which is supplied as standard, and tightened. Now you just need to specify how the workpiece should be guided on the machine table. Thanks to the corresponding dimensional scales on the table and setting gauge, this step takes no time at all.

That's how easy it is to achieve a previously unimaginable variety of new products and possibilities with the T45 Contour. Wherever wide profiles have to be produced in one pass, the T45 Contour is your number one choice.

Profile blade up to 630 mm in width.

Depending on the material being processed and the required lifetime, you can choose between high-speed steel blades or carbide blades. All well-known tool manufacturers supply the corresponding unmachined parts, so that you can have the blades ground to your specifications at practically any tool grinding shop.

The possibility of inserting blades into the grooves butt to butt and of setting the butts in opposite grooves, means that the blades don't have to be manufactured in one piece over the full working width. This facilitates procurement and reduces costs.



Profile blade for round bars



T45 Options

T45 planer

Operation

The standard, clearly arranged design of the T45's control system optimises the machine's operation. Work processes are accelerated, and the probability of errors is significantly reduced.

The T45 offers a memory capacity for 99 dimensions, 49 of which can be used for freely programmable planing sequences. This means that every time you press "START", you move the thickening table to the next value you have set. A mode is also included with which you can repeatedly raise the table by a value that you have defined.

Of course, the thickening table can also be moved or raised upwards in steps of 0.1 mm, simply by pressing a button.



Control panel

User interface	T45
Thickening table controls	Standard
Foot switch for automatic planing sequences	T4535

Cutter blocks

Through the use of different cutter blocks, the T45 can be perfectly adapted to the tasks required of it. Thanks to the standard TERSA solid steel cutter block with its form-locked knife holders, all surfaces can be planed perfectly. It just takes a few seconds to change the blades. TERSA reversible blades are available in different qualities and with different geometries, so the right blade is available for every task. In addition, by using two dummy blades, the standard Z4 cutter block can also be operated as a Z2 cutter block.

A modern alternative is the optional Xplane cutter block with its three rows of spirally arranged carbide cutters. The cutter block delivers impressively clean surfaces, especially with

knotty woods, and also reduces the machine's noise emissions to a very low level. The lifetimes of the carbide blade are about 20 times longer than that of high-speed steel blades, which also noticeably reduces running costs.

As a traditional alternative, we also offer a wedge bar cutter block with four blade holding fixtures. In addition, all T45 models can be delivered with a rotational speed of 6,000 rpm instead of the standard 5,000 revolutions. The Xplane cutter blocks are equipped with this increased rotational speed even in the standard version.

Cutter blocks	T45
TERSA Z4 solid steel cutter block	Standard
TERSA Z4 solid steel cutter block with 25° cutting angle for plastics	T4575
Xplane solid steel cutter block with 3 rows of spirally arranged cutters	T4506/3
MARTIN Z4 wedge bar cutter block	T4507
Special 6,000 rpm rotational speed for all T45 cutterblocks	T4570



TERSA cutter block | standard



Xplane cutter block | T4506/3



Wedge bar cutter block | T4507

Motor rating

The T45's standard motor rating is 5.5 kW, and that of the T45 Contour is 7.5 kW. Both machines can be delivered with outputs of up to 11 kW.

Motor rating kW (hp)	T45	T45 Contour
5.5 (7.5)	Standard	-
7.5 (10)	T4501	Standard
11 (15)	T4502	T4503

Special voltages

MARTIN machines need to be supplied with the appropriate power supply, depending on the area of the world in which they are used.

Special voltage 3 ~	T45
400 V/50 Hz	Standard
210 – 240 V/60 Hz	T45V_220
440 – 480 V/60 Hz	T45V_440

Feed

The feed speed can be switched in two stages: 6 and 12 m/min. Optionally you can also select the continuously adjustable variants. In this case, the control range lies between 2 and 25 m/min, depending on the version.

Feed	T45
Switchable feed 6 12 m/min	Standard
Continuously adjustable feed speed 5 – 25 m/min	T4510
Continuously adjustable feed speed 2 – 12 m/min	T4511



Feed (6 – 12 m/min) | standard



Continuously adjustable feed speed 5 – 25 m/min | T4510

Material transport

All T45 machines are equipped as standard with a rubber infeed and outfeed roller. These transport rollers protect the workpiece surface and provide very good traction. If you wish, you can equip the machine with a steel infeed roller or a steel jointed infeed roller. Thanks to their spiral teeth, these rollers always ensure very high transport performance. Both versions have the advantage of being wear free. The steel jointed infeed roller also evens out differences in material thickness of up to 2 mm. However, these infeed systems are less suitable for very fine planing work.

On the outfeed side, you can choose a steel outfeed roller instead of a rubber roller. This steel outfeed roller is extremely wear free, but does not offer an optimum of traction. The traction can be improved with a second steel or rubber outfeed roller. With this second roller, very short workpieces can be fully moved out of the machine.

For planing particularly thin workpieces, we offer a “minimum planing height of 1.5 mm” option. When modified in this way, the machine is able to process workpieces with a residual thickness of up to 1.5 mm. For optimum results, we also recommend the vacuum table, the vacuum fan and the continuous feed.

MARTIN also offers a special pressure device for planing thin workpieces. When equipped with this option, the machine comes with narrower-set transport and pressure bars. Although the maximum depth of cut is reduced to 5 mm, the impact resistance of thin workpieces is noticeably increased, in particular. This device also forms part of the “minimum planing height of 1.5 mm” option.

Material transport	T45
Steel jointed infeed roller	T4515
Steel jointed infeed roller, spiral-toothed	T4516
Steel jointed outfeed roller, plain roll	T4517
2nd rubber outfeed roller	T4518
2nd steel outfeed roller	T4519
Minimum planing height 1.5 mm	T4580
Special pressure device	T4580/1



Steel jointed infeed roller | T4515



2nd rubber outfeed roller | T4518

Machine table and extensions

The T45's machine table is finely planed, which offers unbeatable advantages when working with wet woods. For processing larger cross-sections, for example in carpenter's shops, the thickening table can be equipped with adjustable table rollers.

The automatic lubrication located on the front of the table lubricates the underside of the incoming material. This option can be easily and quickly switched on or off. In order to support outgoing and incoming workpieces, the machines can be equipped with table extensions of 450 and 1,200 mm length. The short variant can be mounted on the incoming or outgoing side. This variant can also be folded up to save space. And yet, at the same time, you can still make full use of the planing height.

If you process very delicate workpieces, you can also opt for a table with a ground surface. This variant offers particular advantages, especially for plastics processing.

Vacuum table.

The vacuum table is a great choice if the machine is used for processing plastics. In addition to its ground surface, it also has two vacuum chambers which hold the workpiece on the table directly under the cutter block. So, with the aid of special options, residual material thicknesses of 1.5 mm can be achieved. You will also be able to find a suitable vacuum fan at MARTIN.

We recommend the optional brake motor for the thickening table drive for anyone who applies high pressure to the machine table. This is often the case when processing plastics. This option also increases the positioning accuracy of the planing height to 0.05 mm.

Machine table	T45
Finely planed thickening table	Standard
Thickening table with slide rollers	T4520
Automatic lubrication	T4530
Foldable thickening table extension 450 mm	T4521
Foldable thickening table extension 450 mm, infeed side	T4521/1
Thickening table extension 1,200 mm	T4522
Thickening table with ground surface	T4551
Vacuum table with ground surface and two vacuum chambers	T4552
Brake motor for thickening table drive	T4585



Thickening table with slide rollers | T4520



Automatic lubrication | T4530



Vacuum table | T4552



Foldable table extension 450 mm | T4521/1

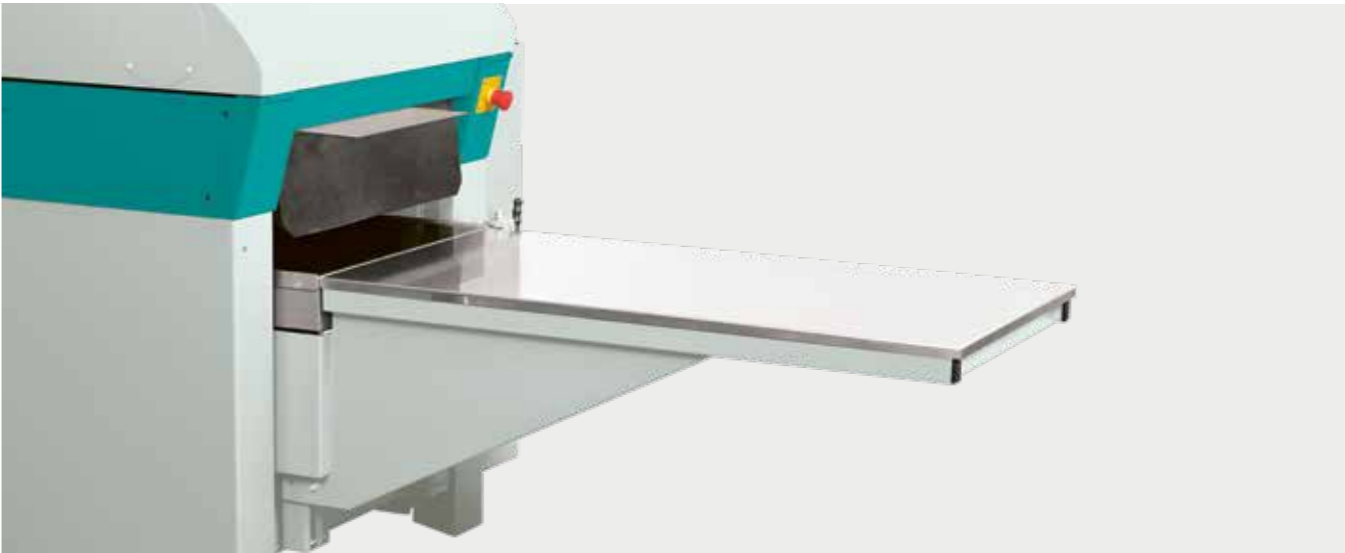


Table extension 1,200 mm | T4522

Safety guard and maintenance device

To avoid accidents when using the combined installation of the T45 and the T54, the protective guard prevents access in front of the edging fence as the workpiece comes out of the T45.

Safety guard	T45
Protective guard for T45	T4525
Central lubrication unit via oil pump	T4531



Protective guard | T4525



Central lubrication unit | T4531

Special equipment for T45 Contour

The T45 Contour offers unique solutions around the world for reliable planing and profiling of surfaces in one pass. If you wish to perform profiling work as well as planing, you can choose between the T45 Contour15 and the Contour25 – with the maximum possible profile depth of 15.5 or 25 mm, respectively.

Both machines come with a cutter block for holding four TERSA blades and two corrugated profile blades. By choosing the optional block with two TERSA blade holders and four grooves for corrugated blades, you can shift the machine's main focus to profiling.

If no profile blades are installed in the cutter block, the T45 Contour becomes a thickness planer that can be used without restriction. For special profiling tasks, the standard outfeed pressure bar can be swapped for a special version. This allows the machine to be adapted to virtually any profile shape and keeps even extensively profiled workpieces perfectly still. A second guide comb even doubles the machine's potential uses as you can then use the machine table in multiple applications.

Special equipment for T45 Contour	T45
Contour solid steel cutter block with 2 TERSA and 4 corrugated grooves for holding planing and profiling blades	T4505/5
Special pressure device for profiling work	T4540
Second guide comb for profiling work	T4541



Special pressure device for profiling work | T4540



Second guide comb for profiling work | T4541

Planing, profiling, recycling – with our planers.

These planers offer the ideal conditions for modern plastics processing.

On the other hand, the main task of the T45 planer is to perform precise processing of surfaces. In addition to the requirement to bring the material precisely to a defined thickness, the visual quality of the surface is often also paramount. In this case, the T45 is just what you need. Even materials down to a residual thickness of 1.5 mm can be processed with absolute reliability – our vacuum technology makes sure of that.

Thanks to their impressive capacities and possibilities, the T45 machines are also ideally suited to recycling tasks. Our machine is increasingly asked to separate the thinnest, coextruded and fabric-laminated materials. Tasks accomplished to perfection by the T45.



Configure your T45.

T45 Contour²⁵ with accessories

- T4501-a | Motor rating 7.5 kW (additional cost)

- T4511-a | Continuously adjustable feed 2 - 12 m/min

- T4521/1-a | Thicknessing table extension on infeed side

- T4522-a | Thicknessing table extension 1,200 mm

- T4531-a | Central lubrication pump

- T4550-a | Antistatic version

- T4552-a | Vacuum table

- T4560-a | Vacuum fan

- T4570-a | Rotational speed 6,000 rpm

- T4575-a | Z4 TERSA cutter block for processing plastics

- T4580-a | Minimum planing height 1.5 mm

- T4585-a | Positioning accuracy to 0.05 mm



T45 with vacuum table and fan T4552 and T4560

Plastics processing

The T45 is more suitable for processing plastics than almost any other planer on the market. Thanks to options that have been specially developed to user requirements, the machines can be adapted excellently to a wide variety of tasks.

Anti-static version

If you wish to prevent statically charged plastic splinters from sticking to the machine, particularly in the suction hood, we recommend the anti-static version. | T4550

TERSA solid steel cutter block

The TERSA solid steel cutter block with blunt blades in the cutter block has been specially developed for planing plastics. This system reduces tearing of the material by the cutter block, and you produce first-class surfaces. | T4575

TERSA cutter with negative grinding

If you wish to process thin workpieces without impact, TERSA knives with negative grinding are ideal. Despite the fact that these knives work more like a scraper than a cutter, and thus considerably reduce the risk of tearing, you can deliver impressive surface qualities. The knives are available in high-speed steel and carbide versions. | T4576

Special rotational speed

If you attach great importance to the appearance of the plastics to be processed, you should opt for the special speed of 6,000 rpm for the cutter block. Increased rotational speed reduces the impact of the blade and the surface becomes finer. | T4570

Feed speed

By choosing the right feed speed, you can have a significant influence on the surface finish you are aiming for, which is particularly crucial when machining plastics. In addition, plastics can simply be machined better at certain feed rates. In this case, we recommend the continuously adjustable feed speed 2 – 12 m/min. | T4511

Table with ground surface

If you work with very delicate workpieces, the table with a ground surface can provide you with valuable assistance. Especially in plastics processing, the advantage of this table is that your machined surface is protected. | T4551

Vacuum table

If you use the machine for processing thin and very thin workpieces, the vacuum table in our range of accessories is ideal. In addition to its ground surface, it also has two vacuum chambers which, when a vacuum is applied, hold the workpiece on the table directly under the cutter block. So, with the aid of special options, residual material thicknesses of 1.5 mm can be achieved. | T4552

Vacuum fan

The vacuum fan is the perfect complement to the vacuum table. It creates a vacuum that holds the workpieces on the table. The fan is frequency-controlled and so can be adapted perfectly to the corresponding task. Through the two ball valves, a vacuum can be applied separately to each of the table's two vacuum chambers. | T4560

Reducing the minimum planing height

For planing extremely thin materials to a residual thickness of up to 1.5 mm. By reducing the pressure bar spacing and adapting the anti-kickback devices, we can reduce the minimum planing height from 2.8 to 1.5 mm. This means that, in combination with the vacuum technology and negative TERSA cutters, you produce absolutely impact-free workpieces. Please note that the maximum chip removal is limited to 5 mm. | T4580

Special pressure device

We recommend this option if the minimum planing height of 2.8 mm is sufficient for you – but you also place the greatest value on impact resistance when processing thin workpieces. By reducing the pressure bar spacing, the impact resistance when planing thin workpieces is noticeably improved once again. Please note that the maximum chip removal is limited to 5 mm. | T 4580/1

Brake motor

The optional brake motor for the thickening table drive is perfect for all professionals who apply high pressure to the machine table. This is often the case when processing plastics. This option also increases the positioning accuracy of the thickening table to 0.05 mm. | T4585



Accessories for plastics processing

Accessories for plastics processing	T45
Anti-static version	T4550
TERSA Z4 solid steel cutter block with 25° cutting angle for plastics	T4575
TERSA carbide cutter 635 mm with special grinding for hard plastics and low planing thicknesses	T4576
TERSA high-speed steel cutter 635 mm with special grinding for hard plastics and low planing thicknesses	T4576/1
Special 6,000 rpm rotational speed for all T45 cutterblocks	T4570
Continuously adjustable feed speed 2 – 12 m/min	T4511
Thickening table with ground surface	T4551
Vacuum table with ground surface and two vacuum chambers	T4552
Vacuum fan, frequency-controlled	T4560
Minimum planing height 1.5 mm	T4580
Special pressure device	T4580/1
Brake motor for thickening table drive	T4585

T54

Optimal preparation ensures perfect results.

Really perfect foundations can only be produced with a good surface planer. It was with precisely this objective in mind that the T54 was developed. It enables you to easily plane workpieces to the most modern level and to safely provide them with angled edges. The machine is equipped with a TERSA solid steel cutter block as standard. The Xplane cutter block, which works with shear cuts, is available as an optional extra.

Chamfers can be planed effortlessly because the user-friendly, single-handed adjustment allows you to quickly adjust any angle between 90° and 45°. The T54's robust cast iron tables provide a secure support even for large heavy workpieces. If you need even more support, the infeed and outfeed tables (also made of cast iron, of course) can be extended by 380 mm each.



Configure your T54.

T54 with accessories

T544 | Control desk moving with jointing fence

T541 | TERSA cutterblock with 4 cutters

T5462 | SUVAmatic bridge protection device



Superb guidance qualities.

Guided by ball bearings, the jointing fence runs smoothly and without tilting along tempered tracks – and years later, it is still as precise as it was on the very first day. Chamfers can also be planed in no time at all because the user-friendly single-handed adjustment allows you to quickly adjust any angle between 90° and 45°. A further advantage is the integrated auxiliary fence which makes the processing of smaller and thinner parts considerably more secure.

Swiss-style protection.

The SUVAMATIC safety guard stands for excellent functionality and maximum safety. When joining, the foldable inlet beak exerts slight surface pressure against the fence.

Xplane – the future has begun.

The 3-row Xplane cutter block works with shear cuts which is a rare thing on the market. This produces a particularly high-quality surface, especially when it comes to working with difficult types of wood. In addition, due to its special design, it boasts a remarkably smooth operation, even when idling. And even removing the largest amounts of wood requires a surprisingly low motor rating – efficiency at the highest level.

TERSA cutter block | standard

Always the right cutter with TERSA.

The TERSA solid steel cutter block on the T54 offers many advantages for your daily work. The exceptionally smooth running precision bearings and the exact positioning of the two form-fit reversible blades result in an extremely accurate cutting circle. And therefore, the best conditions for cleanly planed surfaces. The TERSA reversible blades are available in different qualities for the widest variety of tasks. If required, the cutter block can also be supplied as a Z4 block. It just takes a few seconds to change the blades.

Clearly arranged operation for efficient planing.



T54 control panel | standard

Everything at a glance.

Operating the T54 is as easy as it is effective. Whether setting the chip removal system or switching the machine on or off. Everything is arranged ergonomically and in an easily accessible manner. The hollow and point rabbet settings can also be accessed very conveniently. The scale shows you the correct setting in each case.



Control panel combined, and moves with, jointing fence | T544

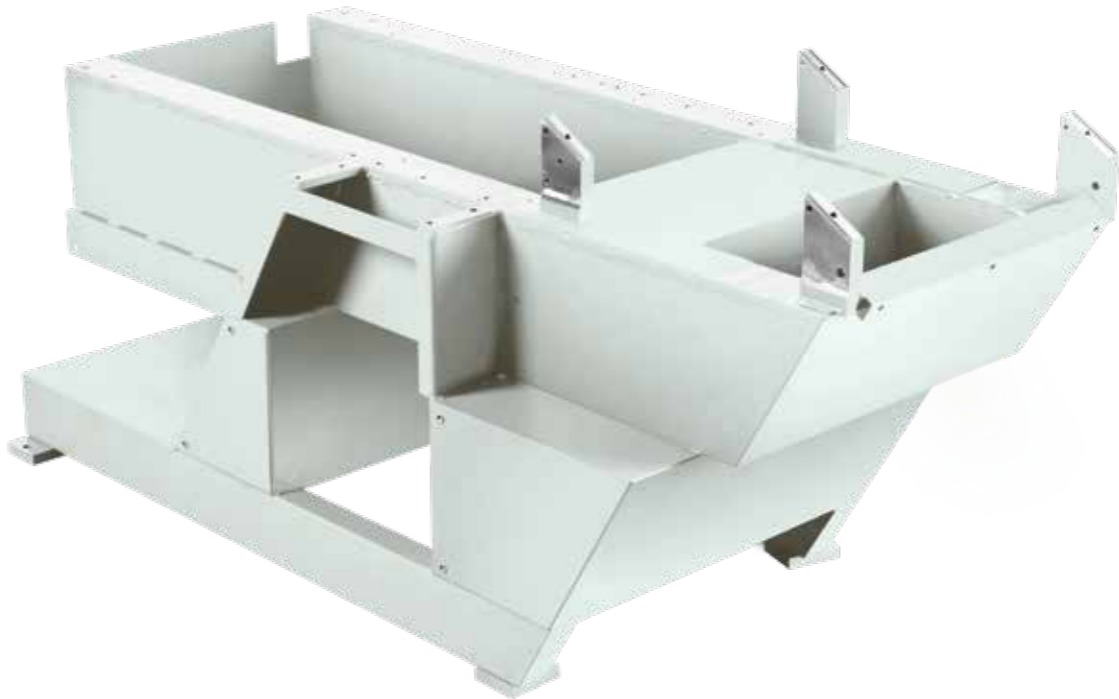
Mobile control panel.

The operating elements mounted on the infeed table as standard can optionally be raised above the table level. Chip removal is displayed at a resolution of 0.1 mm and can be precisely adjusted with a turning knob. When the jointing fence is moved on the table, the control panel moves with it and is therefore always within reach of the user.



Control panel | T544

Robust, solid and durable design.



You only get that from MARTIN.

The T54's machine frame is a stable, thick-walled composite structure of a type and perfection that is unique to MARTIN. This design was invented by Otto Martin and granted a utility model way back in the 1920s.

Following over 100 years of continuous improvements, MARTIN still uses this very simple yet ingenious principle of frame construction today. The intelligent combination of the two materials, steel and concrete, creates a high-quality frame that is unparalleled in terms of stability, damping capacity and torsional rigidity. The vibrations that occur on every surface planer are absorbed far more effectively than with welded constructions.



The unique structure of MARTIN composite stands results in incomparable stability.

T54 Options

T54 surface planer

Operation

The control panel mounted under the infeed table, with the buttons for setting chip thickness and starting the cutter block, is part of the T54's basic equipment. Even easier handling and an even better overview are provided by the optional control panel with control elements that move along with the smooth-running jointing fence. The chip thickness is indicated here digitally at a resolution of 0.1 mm.

User interface	T54
Control panel under the infeed table	Standard
Control panel combined, and moves with, jointing fence	T544



Control panel under the infeed table | standard



Mobile control panel | T544

Cutter blocks

Thanks to the standard TERSA Z2 solid steel cutter block with its form-locked knife holders, all surfaces can be planed perfectly. It just takes a few seconds to change the blades. TERSA reversible blades are available in different qualities and with different geometries. So the right blade is available for each task. A TERSA Z4 cutter block can be made available on request.

A modern alternative is the optional Xplane cutter block with its three rows of spirally arranged carbide cutters.

The cutter block delivers impressively clean surfaces, especially with knotty woods, and also reduces the machine's noise emissions to a surprisingly low level. The lifetimes of the carbide blade are about 20 times longer than that of high-speed steel blades, which also noticeably reduces the running costs. The Xplane cutter blocks are delivered with a rotational speed of 6,000 rpm instead of the standard 5,000 revolutions. As a classic alternative, we also offer a wedge bar cutter block with four blade holding fixtures.

Cutter blocks	T54
TERSA Z2 solid steel cutter block	Standard
TERSA Z4 solid steel cutter block	T541
Xplane solid steel cutter block with 3 rows of spirally arranged cutters	T5406/3
MARTIN Z4 wedge bar cutter block	T543



TERSA cutter block | standard



Xplane cutter block | T5406/3



Wedge bar cutter block with setting device | T543

Safety guards

Guided by ball bearings, the jointing fence runs smoothly and without tilting along tempered tracks – and years later, it is still as precise as it was on the very first day. The auxiliary fence, available as standard, is already integrated into the main fence so that narrow workpieces can also be fed safely over the T54's machine table.

The surface planer is equipped with a bridge guard as standard which safely covers the cutter block. The guard can also be folded back in sections to facilitate handling.

Whether dressing or joining, the optional, modern SUVA bridge guard over the cutter block offers you a high degree of convenience and safety. It is a quick and adjustable safety guard which has proven itself outstandingly in practice.

	T54
AIGNER fence with integrated auxiliary fence	Standard
CPS safety guard	Standard
Suvamatic safety guard	T5462



AIGNER edging fence | standard



CPS bridge guard | standard



Suvamatic bridge guard | T5462

Motor

The T54's standard motor rating is 5.5 kW.

Motor rating kW (hp)	T54
5.5 (7.5)	Standard

Special voltages

MARTIN machines need to be supplied with the appropriate power supply, depending on the area of the world in which they are used.

Special voltage 3 ~	T54
400 V / 50 Hz	Standard
210 – 240 V / 60 Hz	T54V_220
440 – 480 V / 60 Hz	T54V_440

Table systems

The T54's machine tables are finely planed, which offers unbeatable advantages when working with wet woods. For processing longer workpieces, the infeed and outfeed tables can each be extended by 360 mm each. Like the machine tables themselves, these extensions are made of cast iron and machined in one piece.

Table systems	T54
Infeed table, extended to 2,000 mm	T545
Outfeed table, extended to 1,580 mm	T545/1

Cleverly combined.

T45 and T54: two singles – making up a perfect couple.

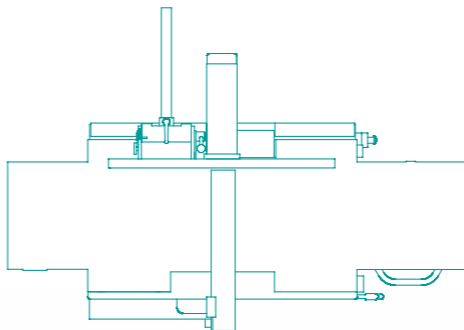
With the T54 surface planer and the T45 planer, you get two specialists which complement each other to perfection.

Unlike with a combined planer, each of the machines is designed for its respective task without any compromises. The machine that you currently require is available immediately without requiring conversion. Thanks to the space-saving installation, the planer and the surface planer together take up hardly any more space than a combined machine. And what's more, the individual machines can be operated in parallel without any restrictions. This has particular advantages especially when working on time-critical orders.

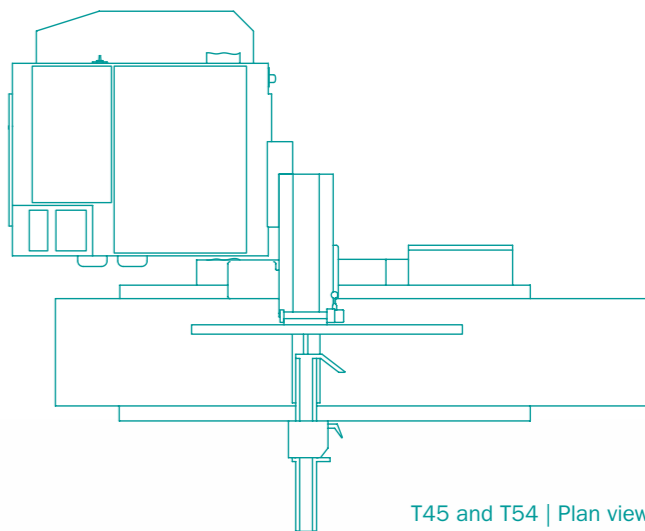
An important advantage when working on time-critical orders is that the two individual machines can be used separately.

T32: One machine two identities.

The combined T32 planer combines two important operations – planing and thicknessing – in one machine, space-saving and budget-friendly. The T32 offers maximum functionality in the smallest space. Short set-up times between operations make the T32 the ideal machine for users who have to contend with limited space but still expect solid performance from their machine. Whatever the requirements you have in your business, you'll find the perfect planer at MARTIN.



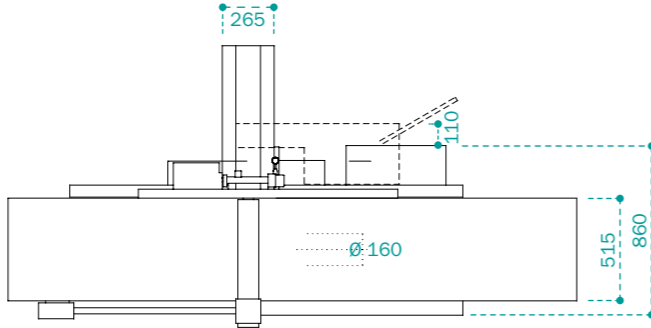
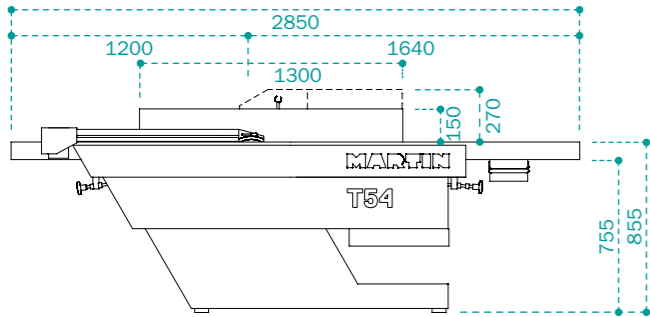
T32 | Plan view



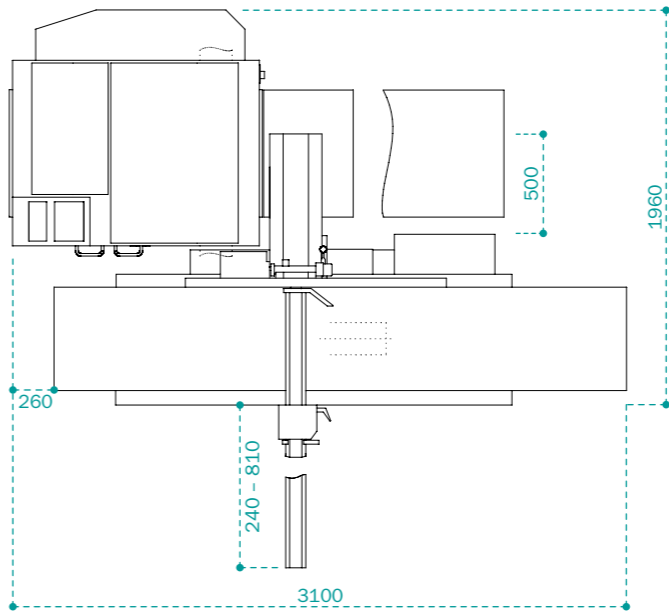
T45 and T54 | Plan view



T54 surface planer

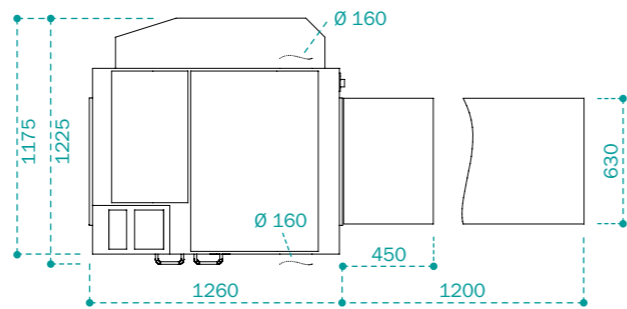
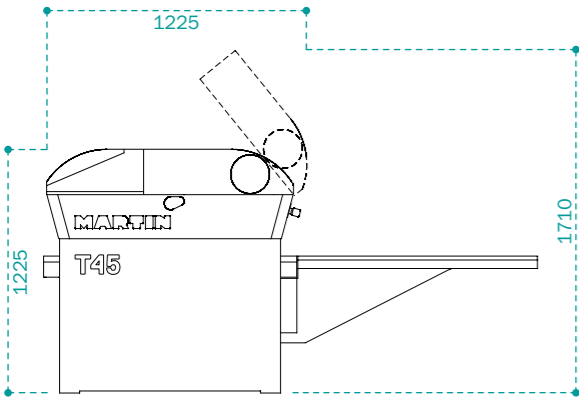


T45 and T54 combined



Combined installation
T45 and T54 | Plan view

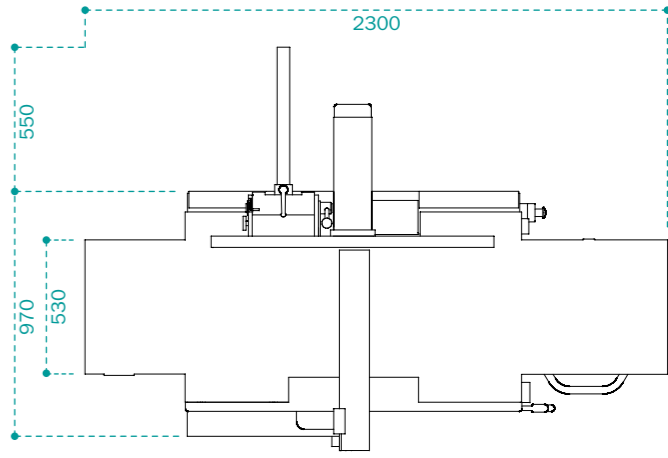
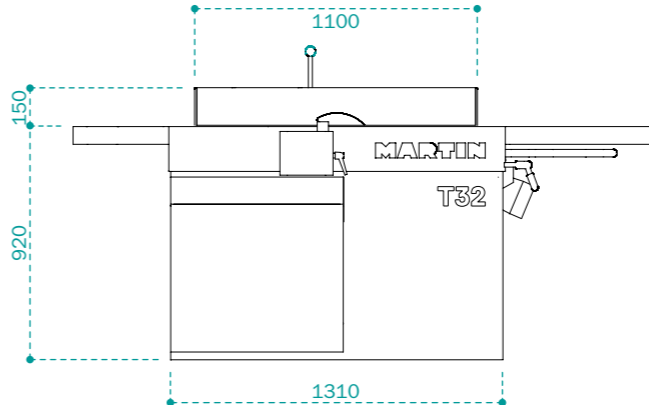
T45 planer



T45 | Side view

T45 | Plan view

T32 combined surface planer/planer



T32 | Side view

T32 | Plan view

Dimensions and specifications are subject to technical innovation and may change without prior notice. Illustrations may differ from the original. Please refer to the valid price list for binding technical features and equipment.

The machines are "wood dust tested" according to DGUV 209-044 / BGI 739-1. All dimensions provided in millimetres. Made in Germany.

Visit us:

Website



Facebook



Instagram



YouTube



Brochure



Contact us at
+49 (0) 8332 911 - 0
sales@martin.info

MARTIN

www.martin.info



Visit us:

Website



Facebook



Instagram



YouTube



Brochure



Planing

MARTIN



Turning rough
ideas into
smooth results!

Contact us at
+49 (0) 8332 911 - 0
sales@martin.info

MARTIN

www.martin.info

Results really can be that smooth.

If you wish to precisely plane solid wood and apply angled edges, what you need is a reliable surface planer. If, in a second step, you need to process the material to a precise thickness or width, a modern planer is what you require. The result: a perfectly smooth, pure and velvety surface.

In addition to their high-quality basic equipment, MARTIN planers also feature numerous useful and partly patented options. We also have combination machines which bring together the characteristics of different types of machines.

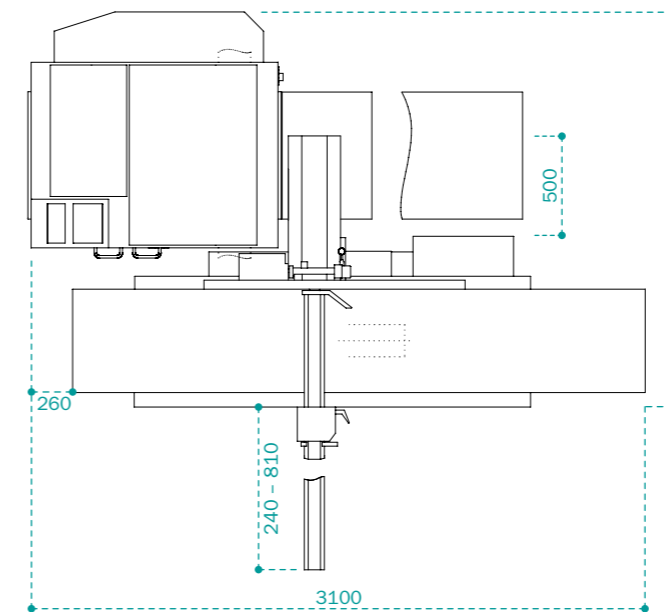
You can conveniently configure your MARTIN planer according to your individual needs online at

www.martin.info



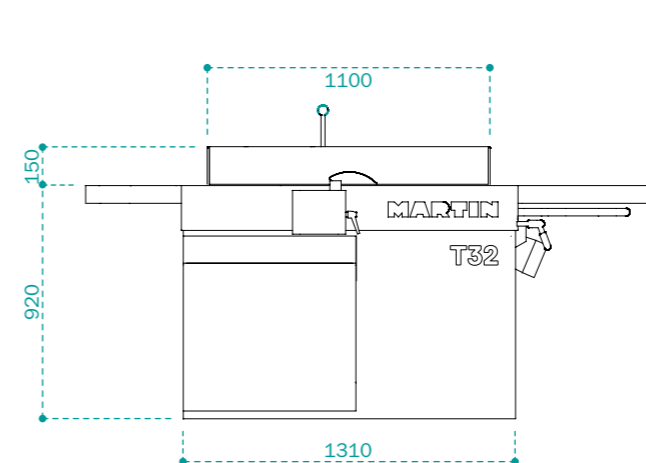
Specifications	8
T32	10
T32 options	16
T45	22
T45 Contour	28
T45 T45 Contour options	34
Plastics processing	44
T54	46
T54 options	54
Dimensional sketches	60

T45 and T54 combined

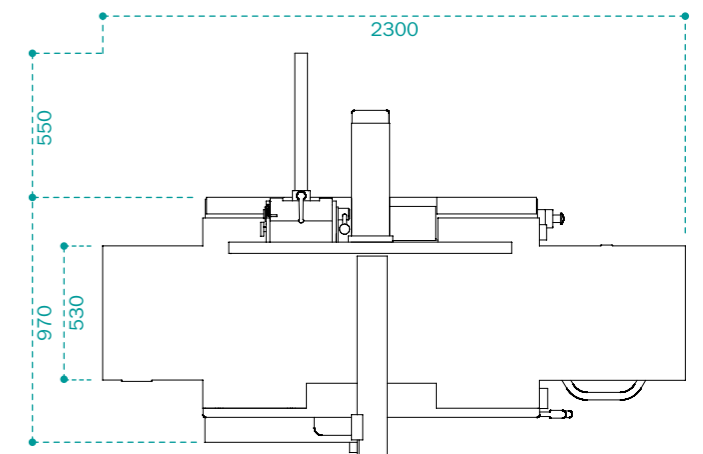


Combined installation
T45 and T54 | Plan view

T32 combined surface planer/planer



T32 | Side view



T32 | Plan view

The machines are "wood dust tested" according to DGUV 209-044 / BGI 739-1.

All dimensions provided in millimetres. Made in Germany.