

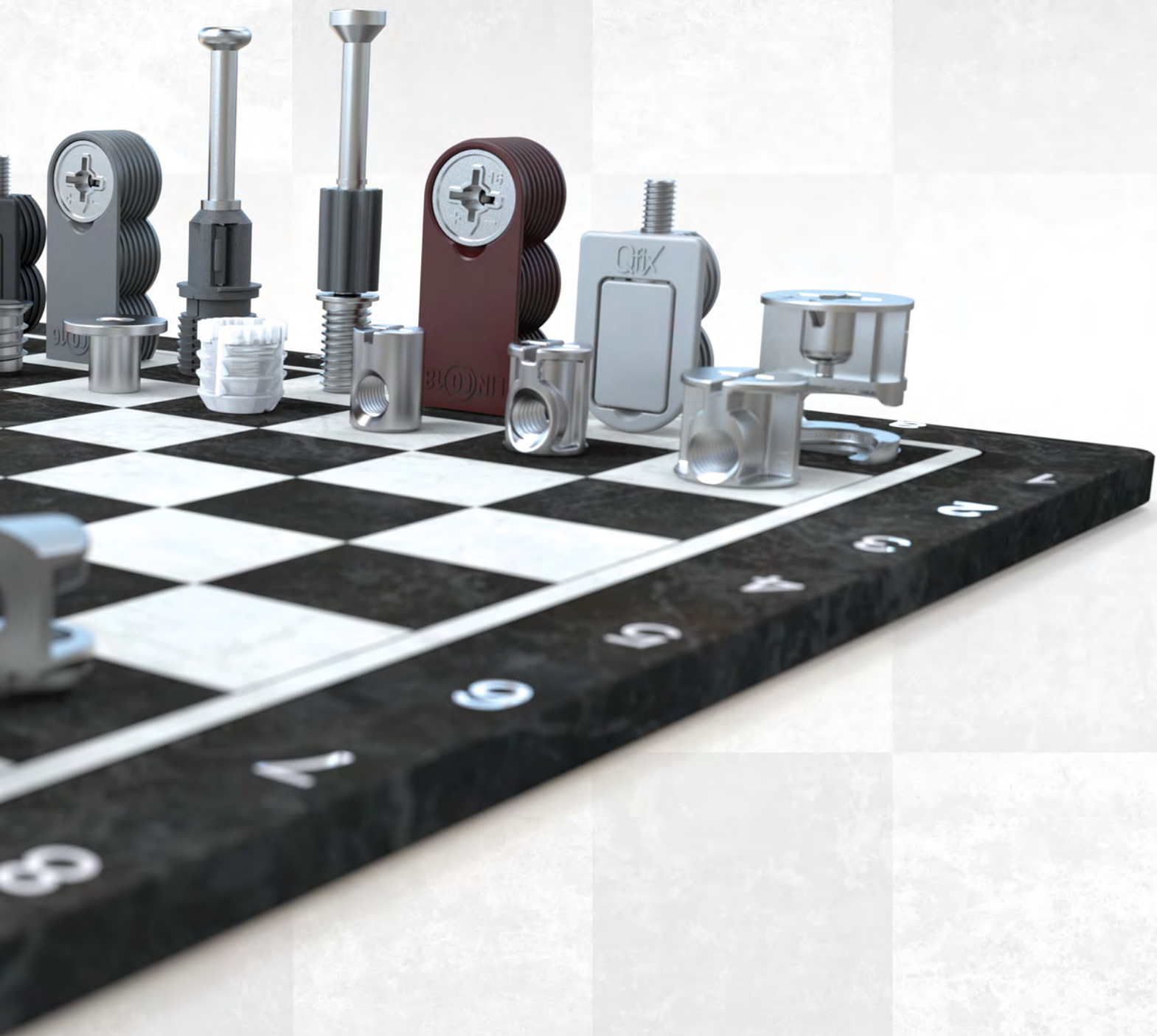


**2023** PRODUCT  
BROCHURE

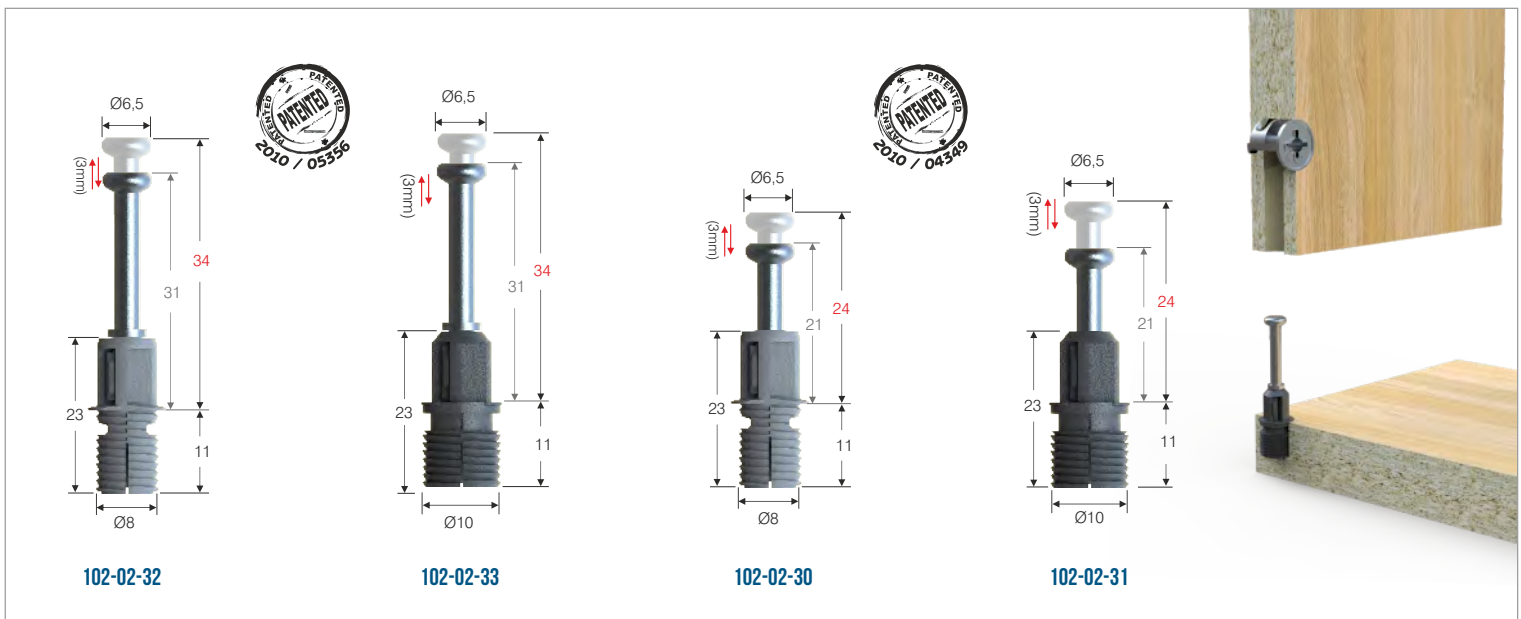
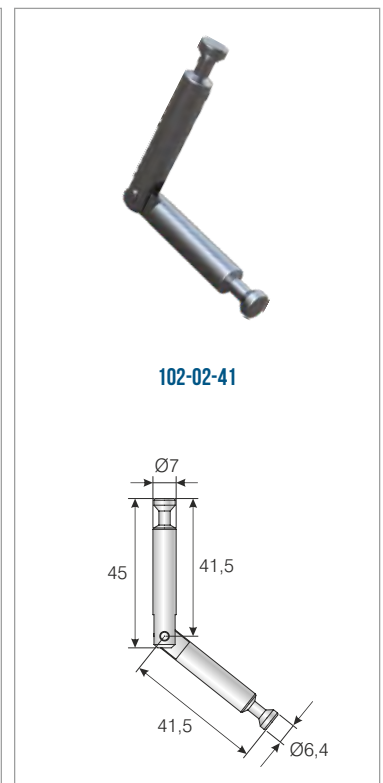


[www.mesan.com.tr](http://www.mesan.com.tr)

We design and manufacture  
**by planning our next move.**



**@mesanplastik**





102-02-03



102-02-35



102-02-02



102-02-04



102-02-05



Pozidriv PZ2  
Philips PH2



Pozidriv PZ2  
Philips PH2



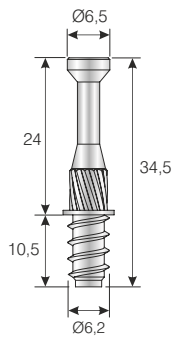
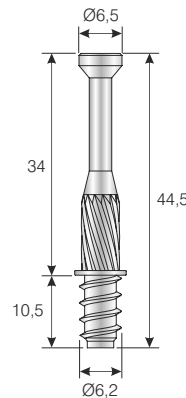
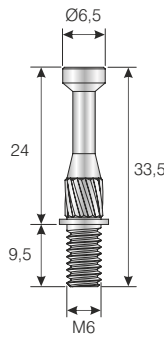
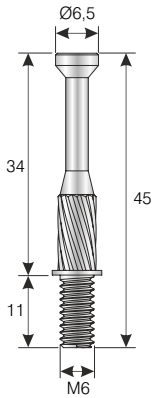
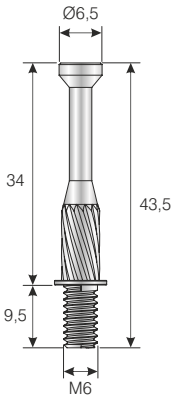
Pozidriv PZ2  
Philips PH2



Pozidriv PZ2  
Philips PH2



Pozidriv PZ2  
Philips PH2



102-02-57



102-02-58



102-02-59



102-02-60



102-02-50



102-02-01



Pozidriv PZ2  
Philips PH2



Pozidriv PZ2  
Philips PH2



Pozidriv PZ2  
Philips PH2



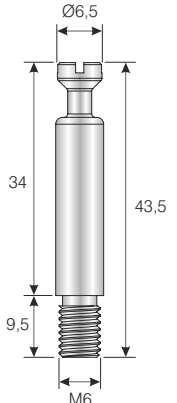
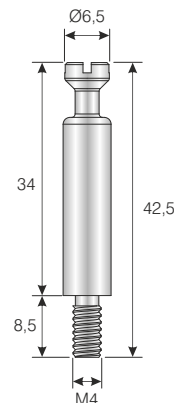
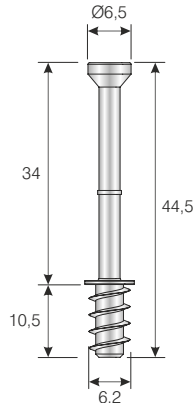
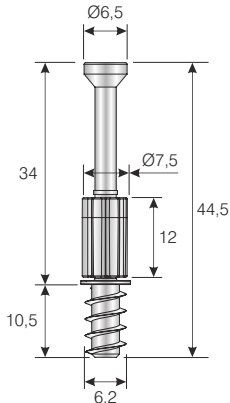
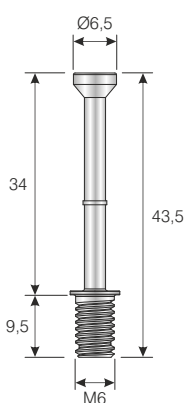
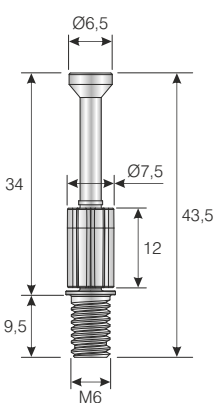
Pozidriv PZ2  
Philips PH2

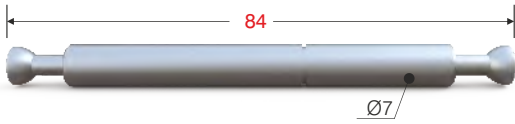


Pozidriv PZ2  
Philips PH2

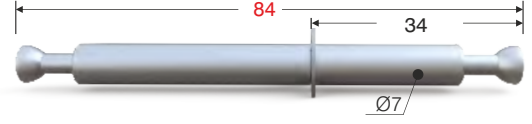


Pozidriv PZ2  
Philips PH2

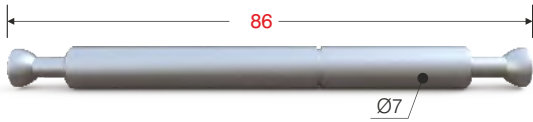




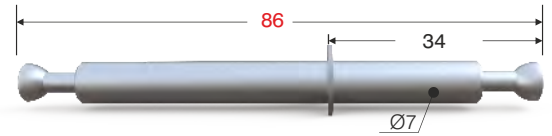
102-02-06



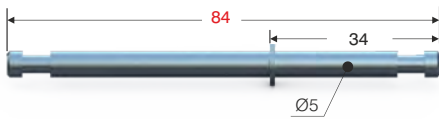
102-02-08



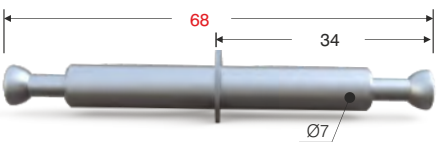
102-02-07



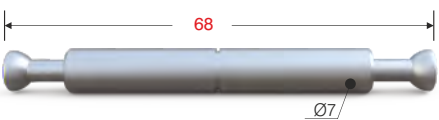
102-02-09



102-02-45

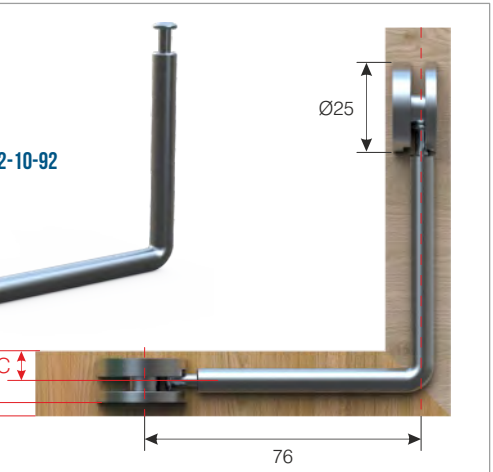
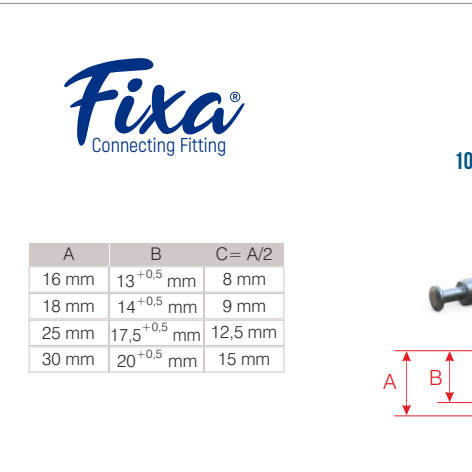
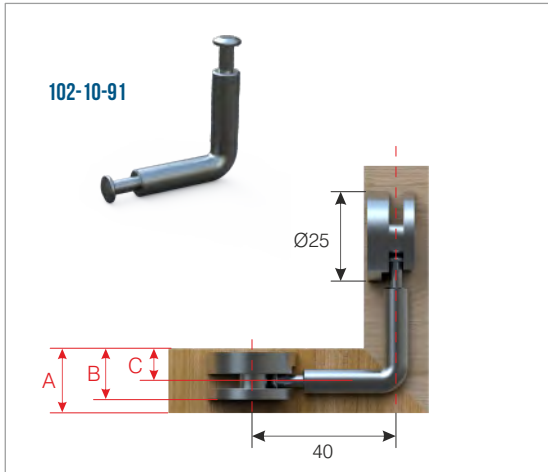
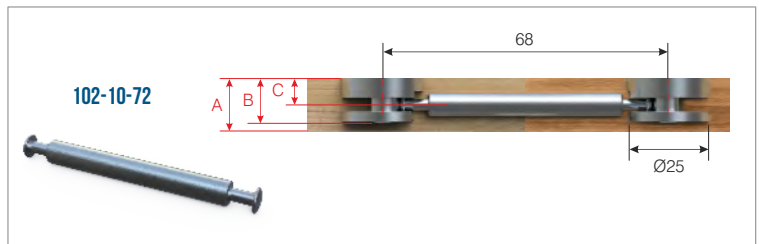
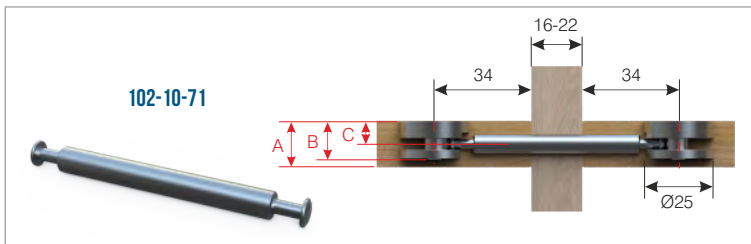
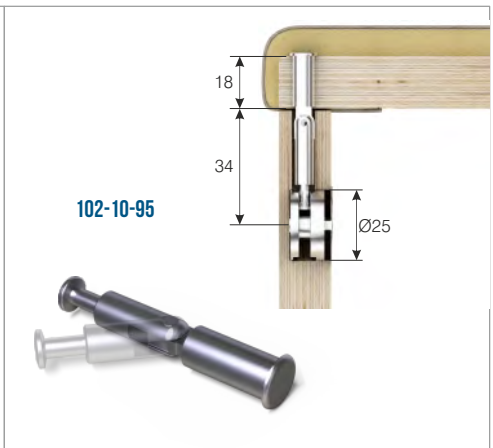
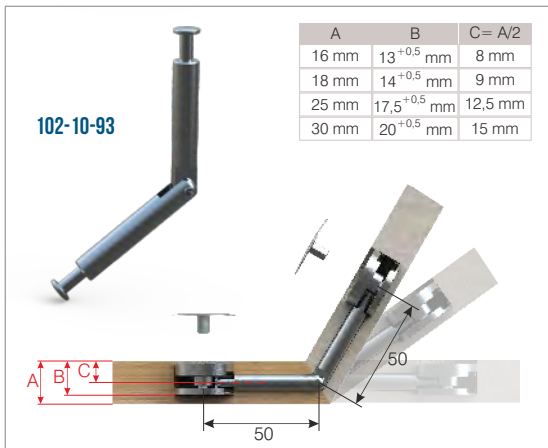
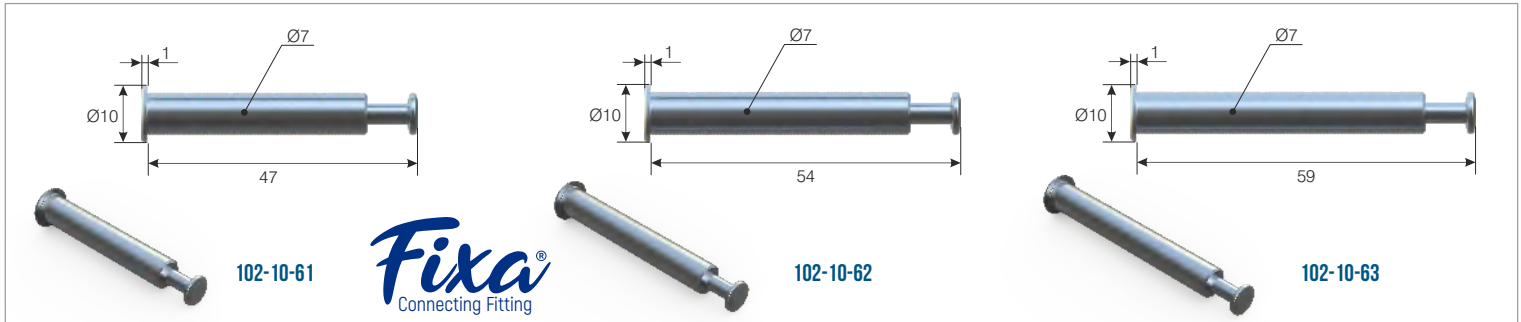
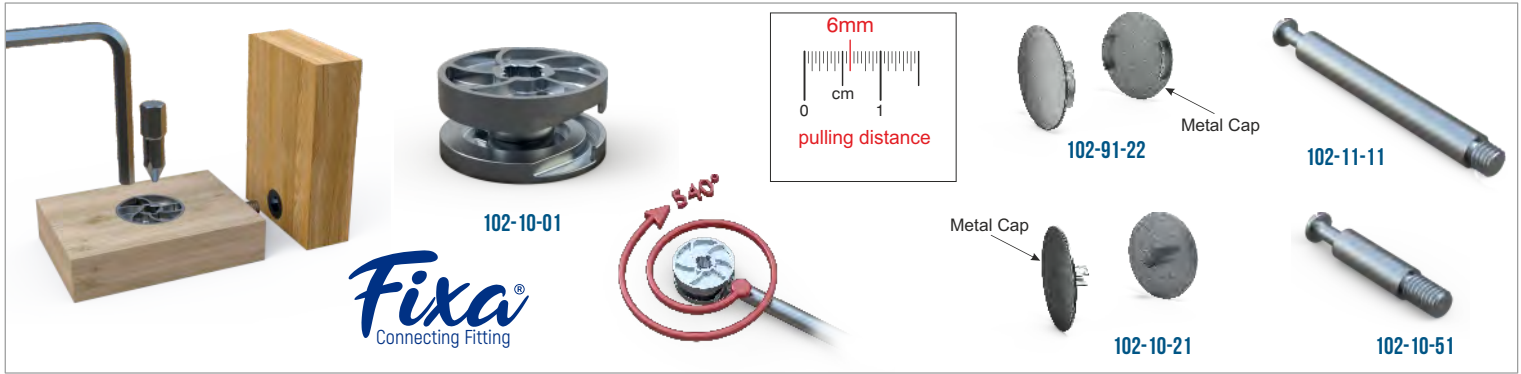


102-02-11



102-02-10





**12MM PANEL  
KULLANMAK İSTEYENLERE**

**FOR WHO WANTS TO USE  
12MM PANEL**



[WWW.MESAN.COM.TR](http://WWW.MESAN.COM.TR)



Connecting fittings for 12 mm panel

**102-01-26**

**102-02-49**

**102-02-54**

**102-02-55**

**102-02-56**

**102-02-51**

**102-02-52**

**102-02-53**

**102-03-64**

PZ2 / PH2

**102-03-65**

PZ2 / PH2


**102-03-66**

PZ2 / PH2

**102-03-67**

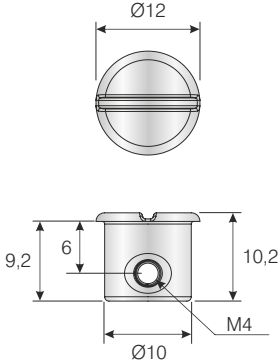
PZ2 / PH2

Connecting fittings for 12 mm panel




**new**

102-01-24

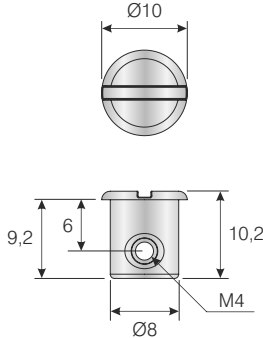


Ø12  
9,2  
6  
10,2  
Ø10  
M4




**new**

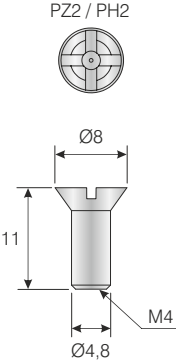
102-01-25




Ø10  
9,2  
6  
10,2  
Ø8  
M4



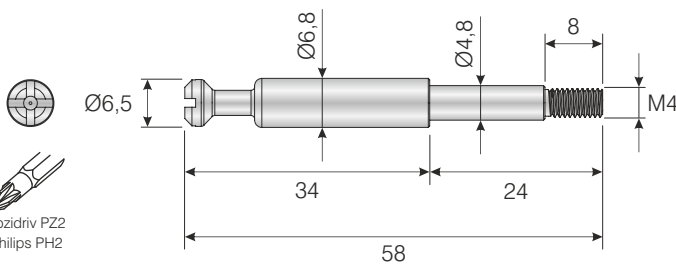
102-03-15



PZ2 / PH2  
Ø8  
11  
Ø4,8  
M4




102-03-20



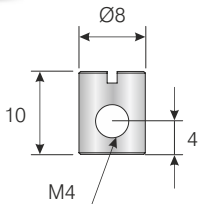
Ø6,5  
Ø6,8  
Ø4,8  
8  
M4  
34  
24  
58

**new**

Pozidriv PZ2  
Philips PH2




102-03-63

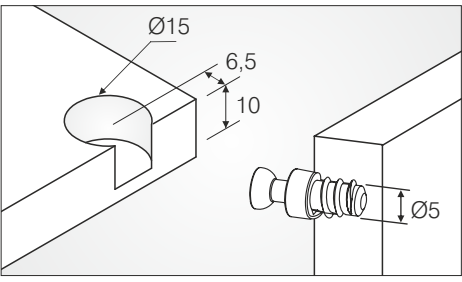


Ø8  
10  
4  
M4

**new**




103-04-18



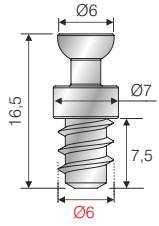
Ø15  
6,5  
10  
Ø5

**new**


PATENTED  
2017 / 17472



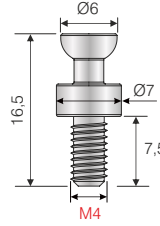
103-08-02  
(Ø6x7,5)




Ø6  
16,5  
Ø7  
7,5  
Ø6



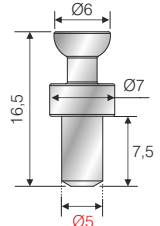
103-08-32  
(M4x7,5)



Ø6  
16,5  
Ø7  
7,5  
M4



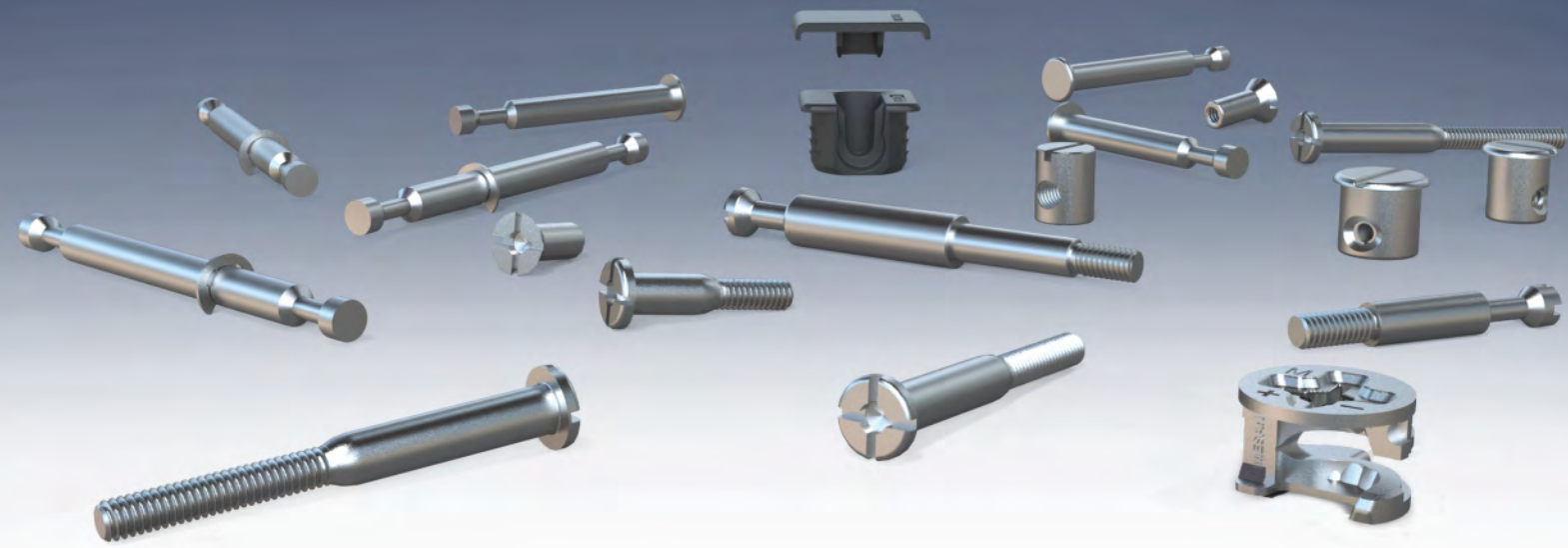
103-08-52  
(Ø5x7,5)



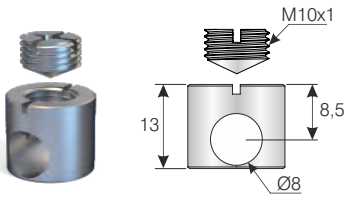
Ø6  
16,5  
Ø7  
7,5  
Ø5



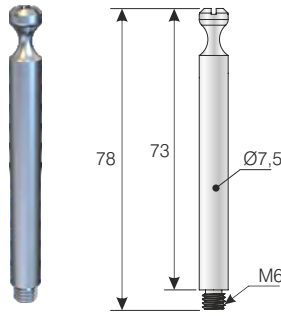
# CONNECTING FITTING FOR 12 MM CHIPBOARD



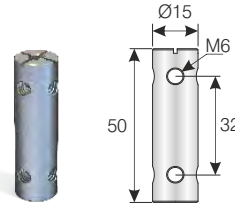
**FORTEFIX**



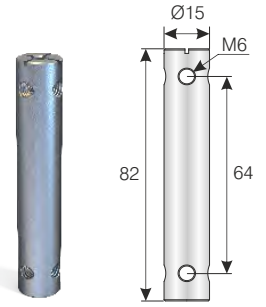
102-09-15



102-09-27



102-11-02



102-11-01



102-09-11  
Ø15x12,5 mm



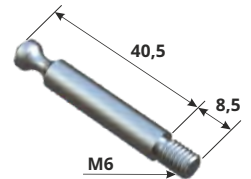
102-09-12  
Ø15x13,5 mm



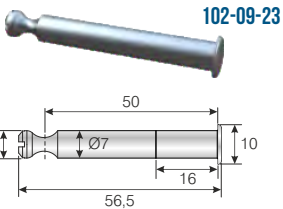
102-09-13  
Ø15x17 mm



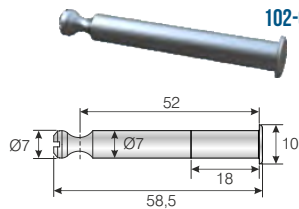
102-09-14  
Ø15x19 mm



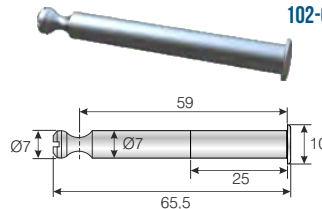
102-09-22



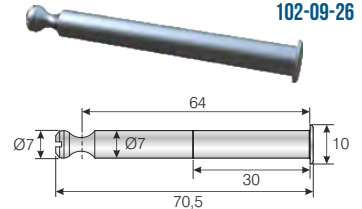
102-09-23



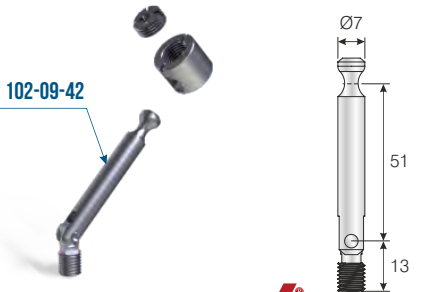
102-09-24



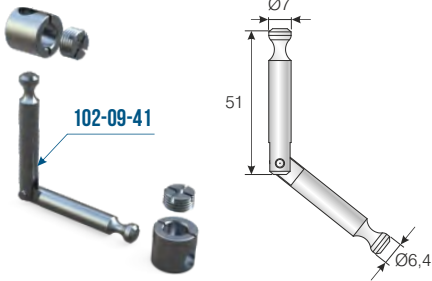
102-09-25



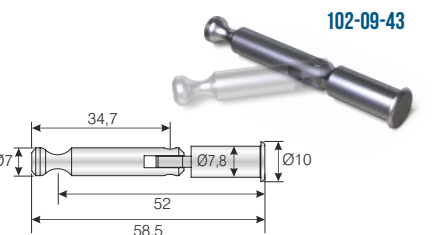
102-09-26



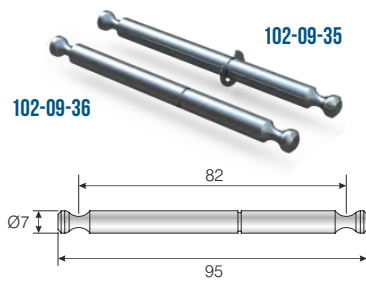
102-09-42



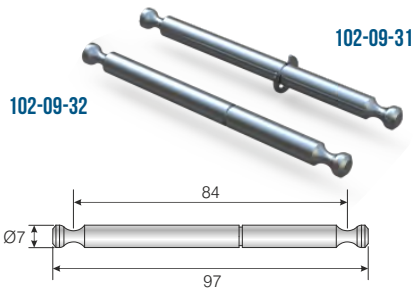
102-09-41



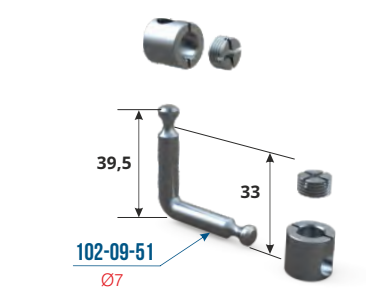
102-09-43



102-09-36

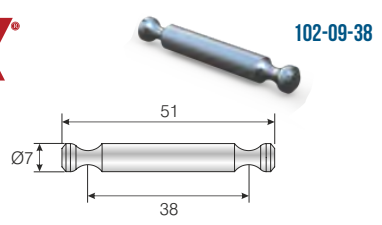


102-09-32

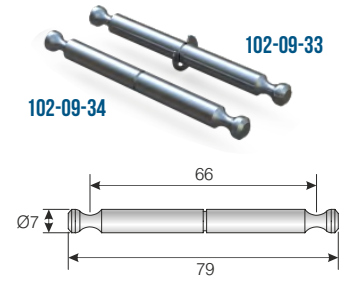


102-09-51  
Ø7

**FORTEFIX**

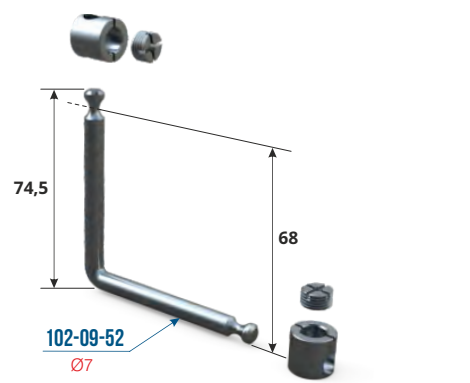


102-09-38



102-09-34

102-09-33



102-09-52  
Ø7

**D-BELT**

**102-05-10**

**102-05-11**

**102-05-07**  
Ø5 x 9 mm

**102-05-01**  
Ø5x13 mm

**102-05-05**  
Ø8x10 mm M6

**102-05-02**  
Ø8x13 mm M6

**102-05-06**  
Ø10x10 mm M6

**102-05-03**  
Ø10x13 mm M6

**102-04-04**  
Ø8 x 13 mm M6

**102-04-06**  
Ø8 x 13 mm M6

**102-04-09**  
Ø8 x 10 mm M6

**102-04-05**  
Ø8 x 13 mm M5

**102-04-10**  
Ø8 x 13 mm M4

**102-04-03**  
Ø10 x 13 mm M8

**102-04-07**  
Ø10 x 16 mm M8

**102-04-08**  
Ø13 x 17 mm M10

**102-04-01**  
Ø8,5 x 16 mm M6

**102-04-02**  
Ø8 x 16 mm M6

**102-04-13**  
Ø8 x 16 mm M6

**103-02-19**

**103-02-20**  
Plastic

**102-01-16**

**102-01-12**

**102-01-13**

**102-06-06**  
Ø8x30x30 mm

**102-06-01**  
Ø5x30 mm

**102-06-02**  
Ø8x32 mm

**102-06-03**  
Ø8x30 mm

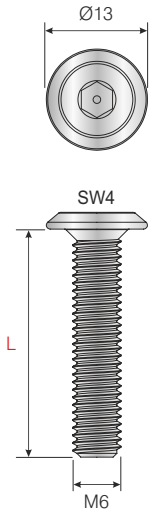
**102-06-04**  
Ø8x35 mm

**102-04-51**

**102-04-52**

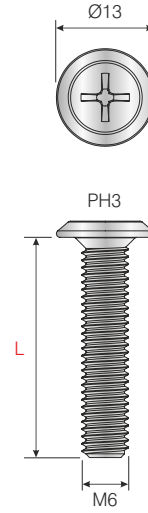
**102-04-54**

**M6 ALLEN HEAD SW4 CYLINDER COMPRESSION SCREW**




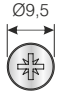
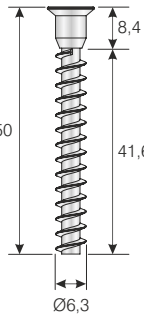


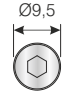
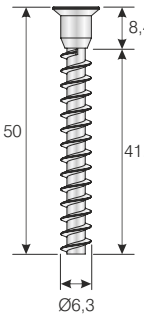



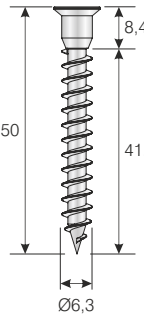



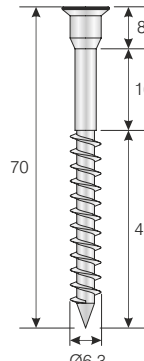


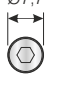
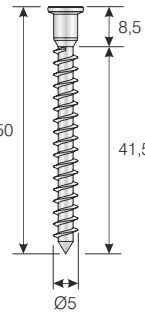

	110-05-08 L: 15mm
	110-05-09 L: 20mm
	110-05-29 L: 25mm
	110-05-10 L: 30mm
	110-05-11 L: 35mm
	110-05-12 L: 40mm
	110-05-34 L: 45mm
	110-05-13 L: 50mm
	110-05-30 L: 55mm
	110-05-14 L: 60mm
	110-05-52 L: 65mm
	110-05-15 L: 70mm
	110-05-16 L: 80mm
	110-05-17 L: 90mm
	110-05-72 L: 120mm


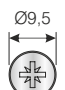
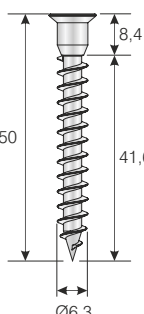


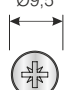
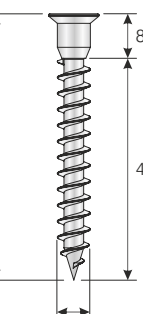


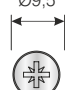
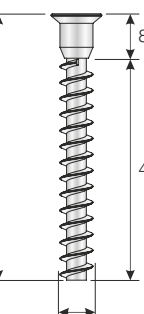


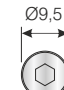
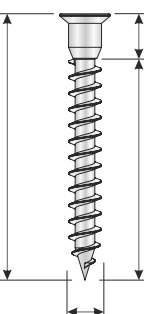



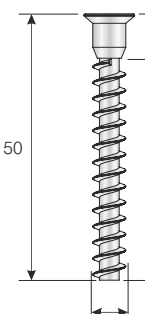
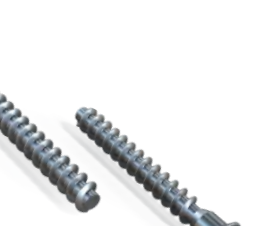
**M6 PH3 CYLINDER COMPRESSION SCREW**

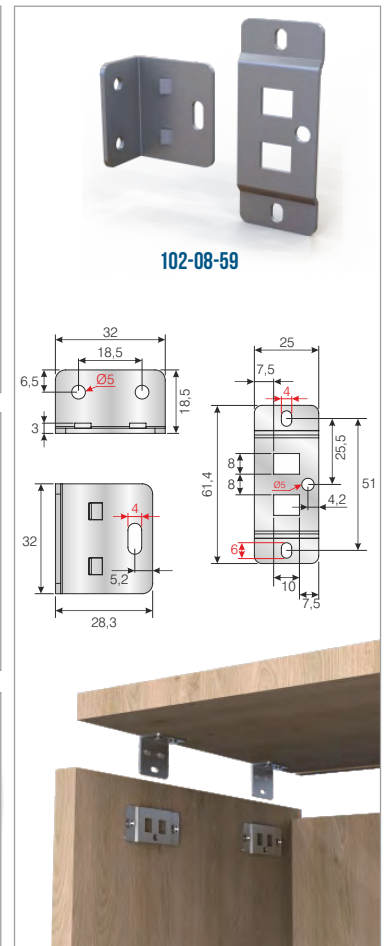
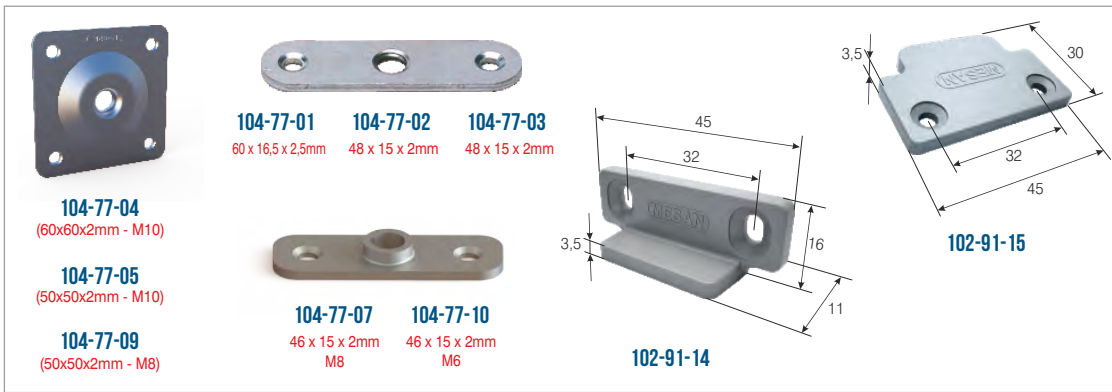
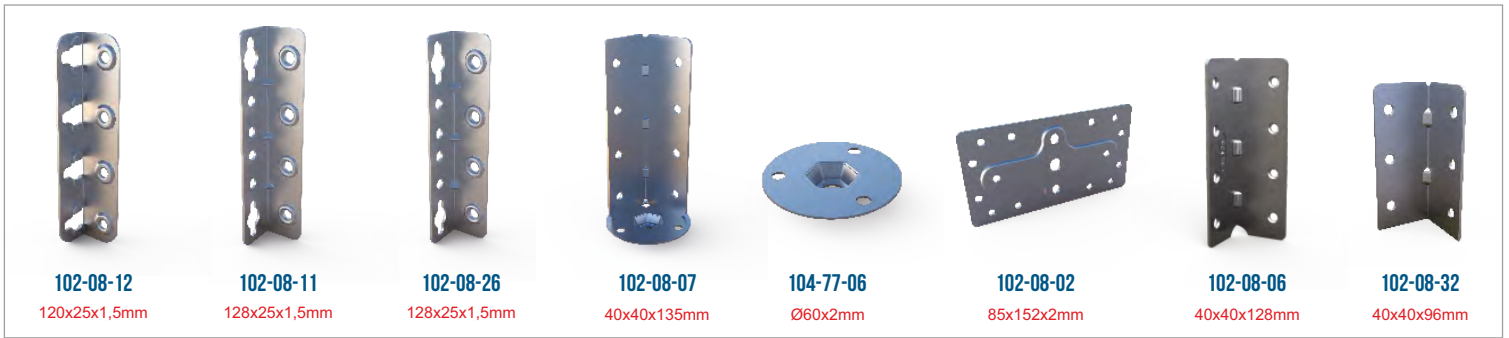


	110-25-15 L: 15mm
	110-25-20 L: 20mm
	110-25-25 L: 25mm
	110-25-30 L: 30mm
	110-25-35 L: 35mm
	110-25-40 L: 40mm
	110-25-50 L: 50mm
	110-25-60 L: 60mm
	110-25-70 L: 70mm
	110-25-80 L: 80mm
	110-25-90 L: 90mm
	110-25-12 L: 120mm

CABINET SCREWS

 Pozidriv PZ2 Philips PH2   <b>110-05-45</b> 	 Sw4 Allen   <b>110-05-19</b> 	 Sw4 Allen   <b>110-05-20</b> 	 Sw4 Allen   <b>110-05-47</b> 	 Sw3 Allen   <b>110-05-83</b> 
--	--	--	---	--

 Pozidriv PZ2 Philips PH2   <b>110-05-18</b> 	 Pozidriv PZ2 Philips PH2   <b>110-55-03</b> 	 Pozidriv PZ2 Philips PH2   <b>110-55-05</b> 	 Sw4 Allen   <b>110-55-02</b> 	 Sw4 Allen   <b>110-55-01</b> 
---	---	---	--	---





### BEDSET HEADBOARD FIXING



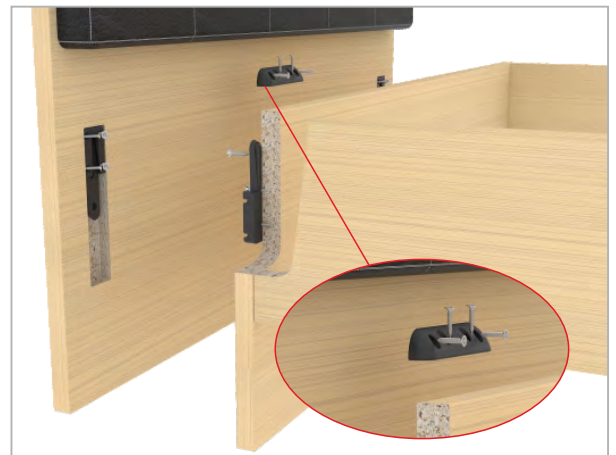
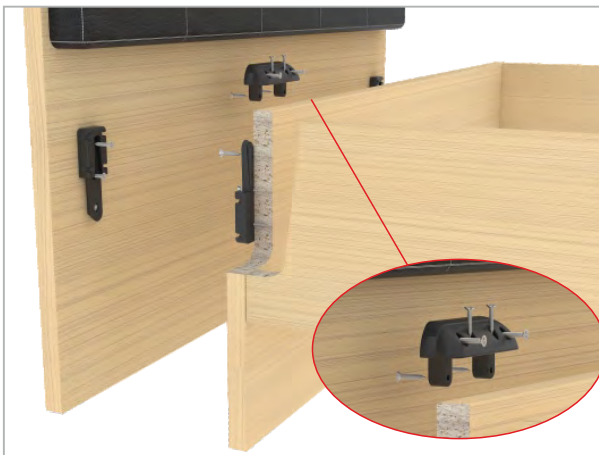
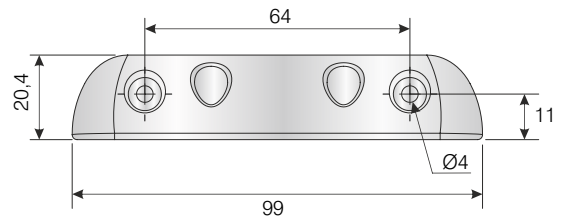
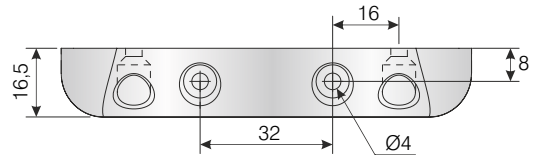
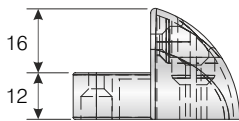
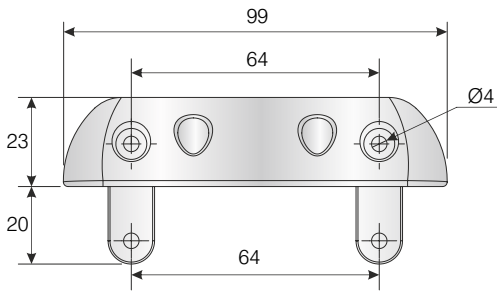
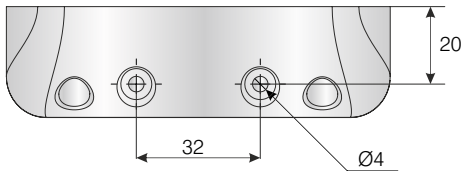
102-08-64



### BEDSET HEADBOARD FIXING ( POCKET APPLICATION )



102-08-65

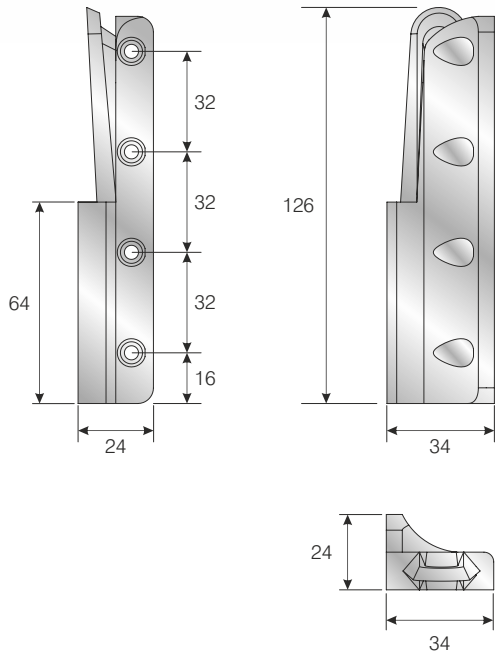


**BEDSET SLIDE CORNER FIXING 126 MM**

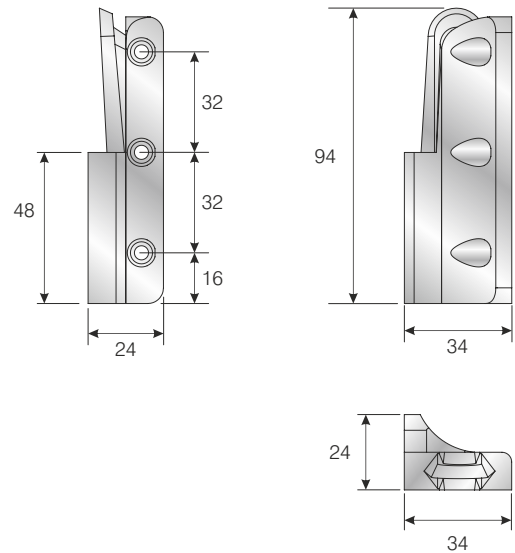
**BEDSET SLIDE CORNER FIXING 94 MM**



102-08-66



102-08-67



102-08-61



102-08-62



### BEDSET SLIDE FIXING 126 MM



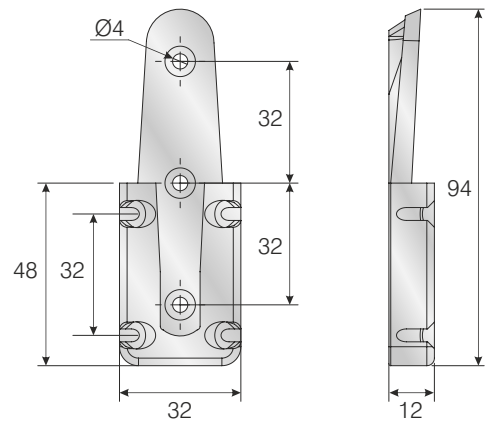
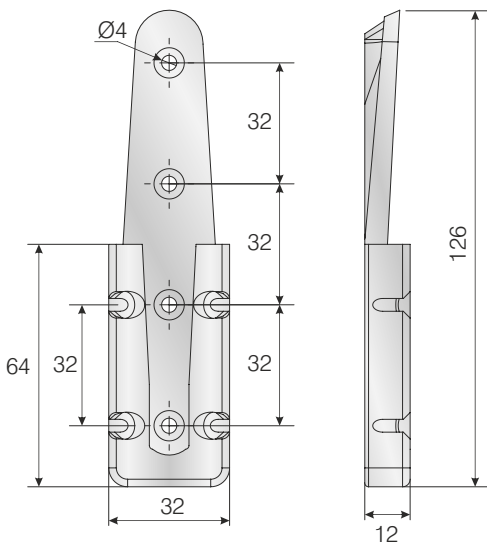
102-08-61



### BEDSET SLIDE FIXING 94 MM



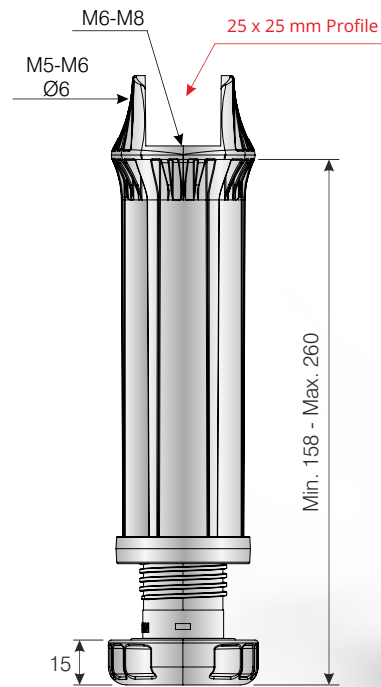
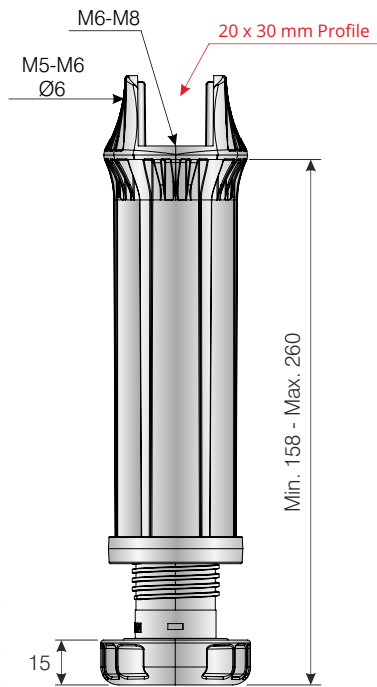
102-08-62



Metal Plate and Corner Plate

 <p><b>102-08-33</b></p> 	 <p><b>102-08-34</b></p> 	 <p><b>102-08-35</b></p> 	 <p><b>102-08-36</b></p> 	 <p><b>102-08-37</b></p> 
 <p><b>102-08-38</b></p> 	 <p><b>102-08-39</b></p> 	 <p><b>102-08-40</b></p> 	 <p><b>102-08-41</b></p> 	 <p><b>102-08-42</b></p> 
 <p><b>102-08-43</b></p> 	 <p><b>102-08-44</b></p> 	 <p><b>102-08-45</b></p> 	 <p><b>102-08-46</b></p> 	
 <p><b>102-08-47</b></p> 	 <p><b>102-08-48</b></p> 	 <p><b>102-08-49</b></p> 	 <p><b>102-08-50</b></p> 	

Linefix Support foot



**104-01-47**  
M6  
20 x 30 mm Profile

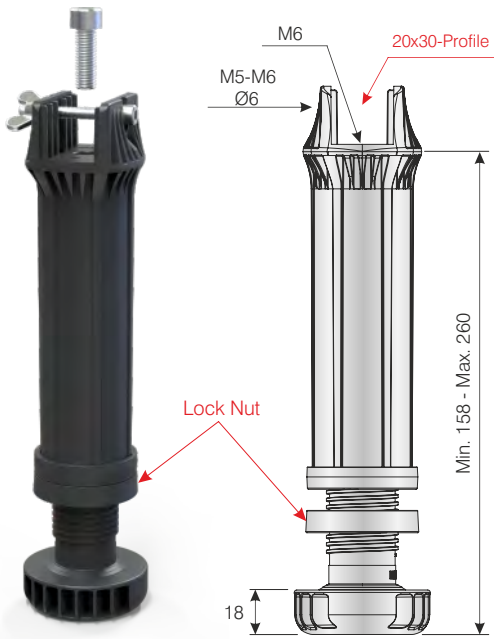
**104-01-49**  
M6  
25 x 25 mm Profile



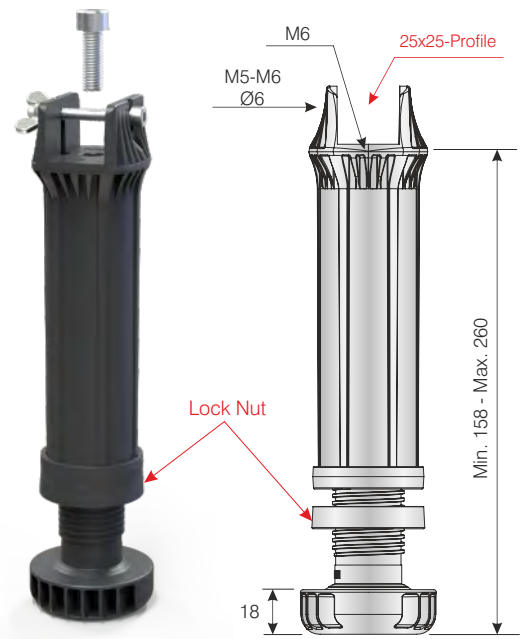
Load capacity 350 kg



Linefix Support foot for metal crossbar lock nut



104-01-92  
M6  
20 x 30 mm Profile



104-01-93  
M6  
25 x 25 mm Profile

Load capacity 400 kg

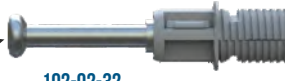
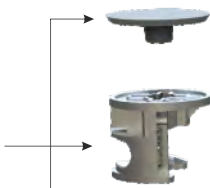


Pingo tuning fix  
lock nut



102-01-71  
18mm

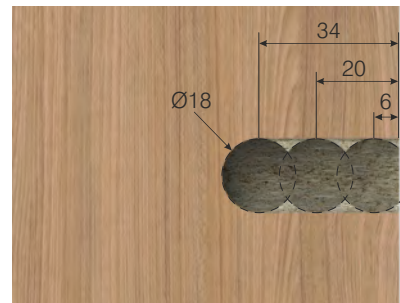
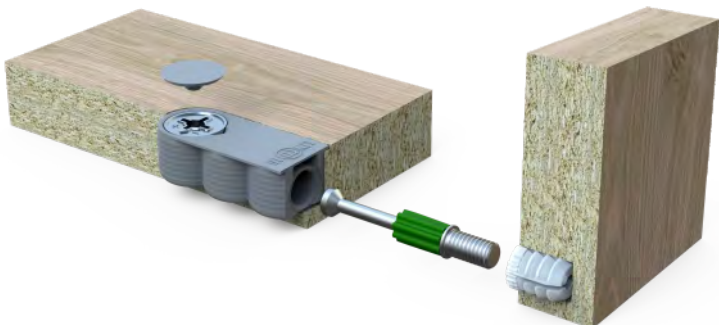
102-01-72  
16mm



Ø10 X 13 - M6



Ø8 X 13 - M6



**103-04-14**

**103-08-75**   **103-08-74**   **103-08-73**   **103-08-72**   **103-08-71**

Ø 5mm   Ø 5mm   Ø 5mm

**110-08-07**  
5mm Allen key

**102-01-08**

**102-91-19**

**103-04-20**   **103-04-20**  
16mm   18mm

Ø20mm

**103-04-05**   **103-04-07**  
16 mm   18 mm

Ø20mm

**103-04-09**   **103-04-10**  
16 mm   18 mm

Ø20mm

**103-04-11**   **103-04-12**  
16 mm   18 mm

Ø20mm

**103-08-03** (M6x9)   **103-08-01** (Ø6x11)   **103-08-02** (Ø6x7,5)   **103-08-32** (M4x7,5)   **103-08-31** (Ø4x11)   **103-08-51** (Ø5x11)   **103-08-52** (Ø5x7,5)   **103-08-54** (Ø3x7,5)   **103-08-53** (Ø3x11)

**102-02-18**

**102-02-19**

**102-02-20**

**102-02-21**

**102-02-22**

**102-02-46**

**102-08-32**

**102-91-18**

**103-04-13**

Ø15 mm

**103-04-03**  
16 mm

**103-04-04**  
18 mm

Ø20mm

**103-08-04**  
Ø6 x 7,5 mm

**103-08-05**  
Ø6 x 11 mm

**103-08-06**  
M6 x 9 mm



Shelf Support

103-05-01      103-05-02      103-05-11      103-05-09  
103-05-10      103-05-07  
103-05-08

Load capacity 75 kg / m<sup>2</sup>

103-02-01      103-02-02      103-02-17      103-02-12 Ø5 mm  
103-02-13 Ø3 mm      103-02-14 Ø5 mm  
103-02-15 Ø3 mm      103-02-06      103-02-07

103-02-05  
Ø5x17 mm      103-01-10  
Ø5x16,5 mm

103-01-12      103-01-14

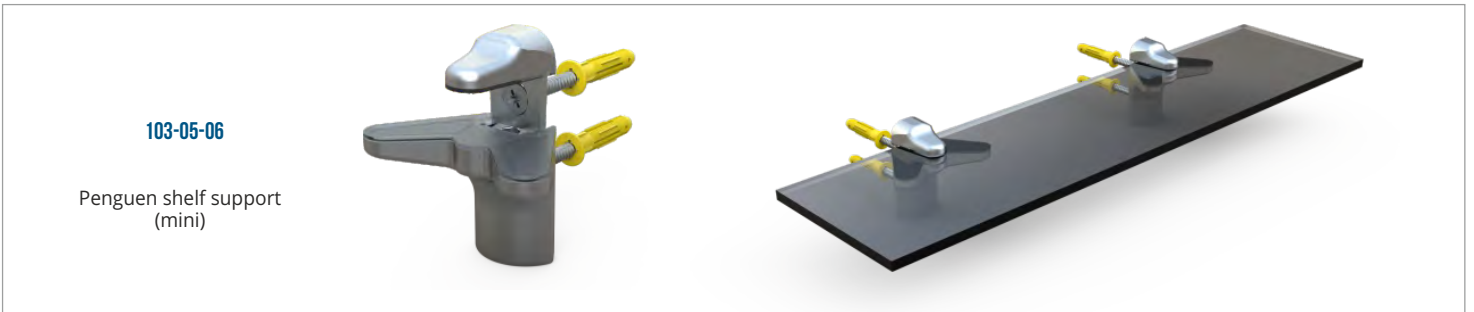
103-01-13      103-01-11

103-02-09      103-01-16      103-01-04 Ø5  
103-01-07 Ø6      103-01-06      103-01-03      103-01-08

103-01-15 Ø5 mm      103-02-10 Ø5 mm  
103-02-11 Ø6 mm      103-01-05 Ø5 mm      103-02-16 Ø3 mm  
103-03-10 Ø7 x M4      103-02-03 Ø5x17,5 mm  
103-02-04 Ø5x22,5 mm

103-03-13 Ø5 mm      103-03-11 Ø3 mm      103-03-14 M4  
103-03-12 Ø4 mm      103-03-03      103-03-15 M4

Shelf Support



Hector Plinth Foot



Plinth top section



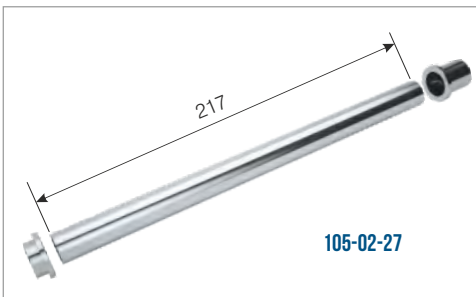
Base Feet



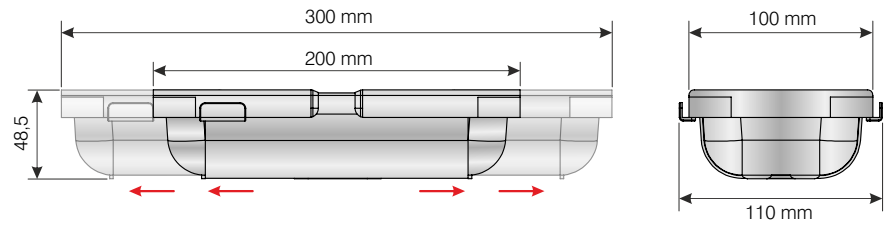
Plinth brackets



Myra feet



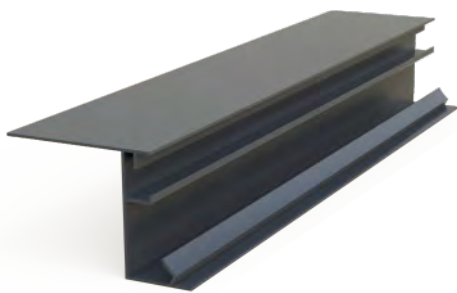
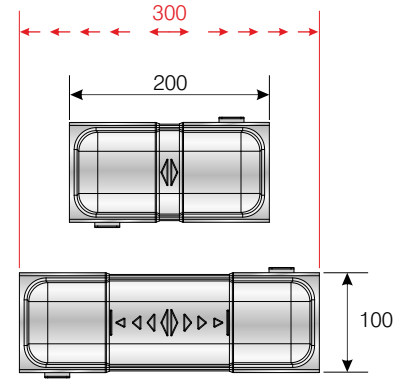
# FREETRAY



105-81-13  
FREETRAY 1



Scan Code for  
Product Video.



105-81-15



105-81-15

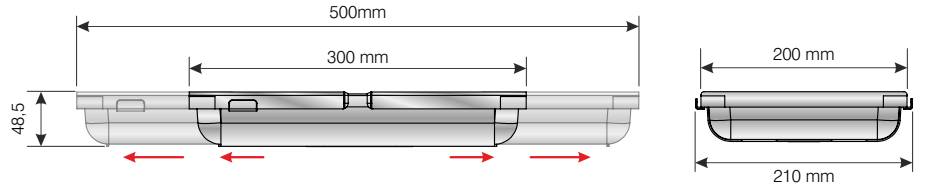


105-81-13



105-81-15

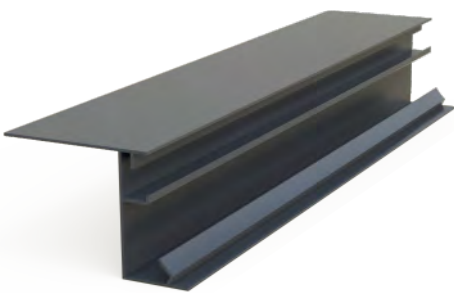
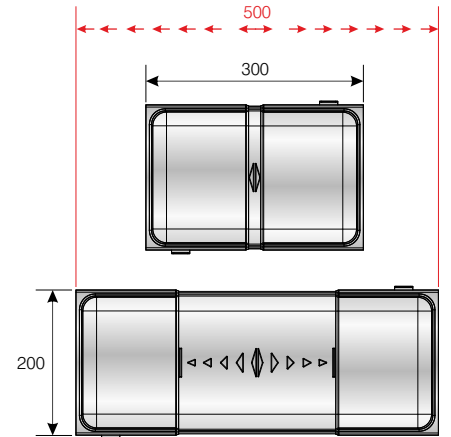
# FREETRAY



105-81-14  
FREETRAY 2



Scan Code for  
Product Video.



105-81-15



105-81-15



105-81-14



105-81-15



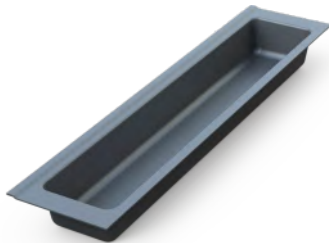
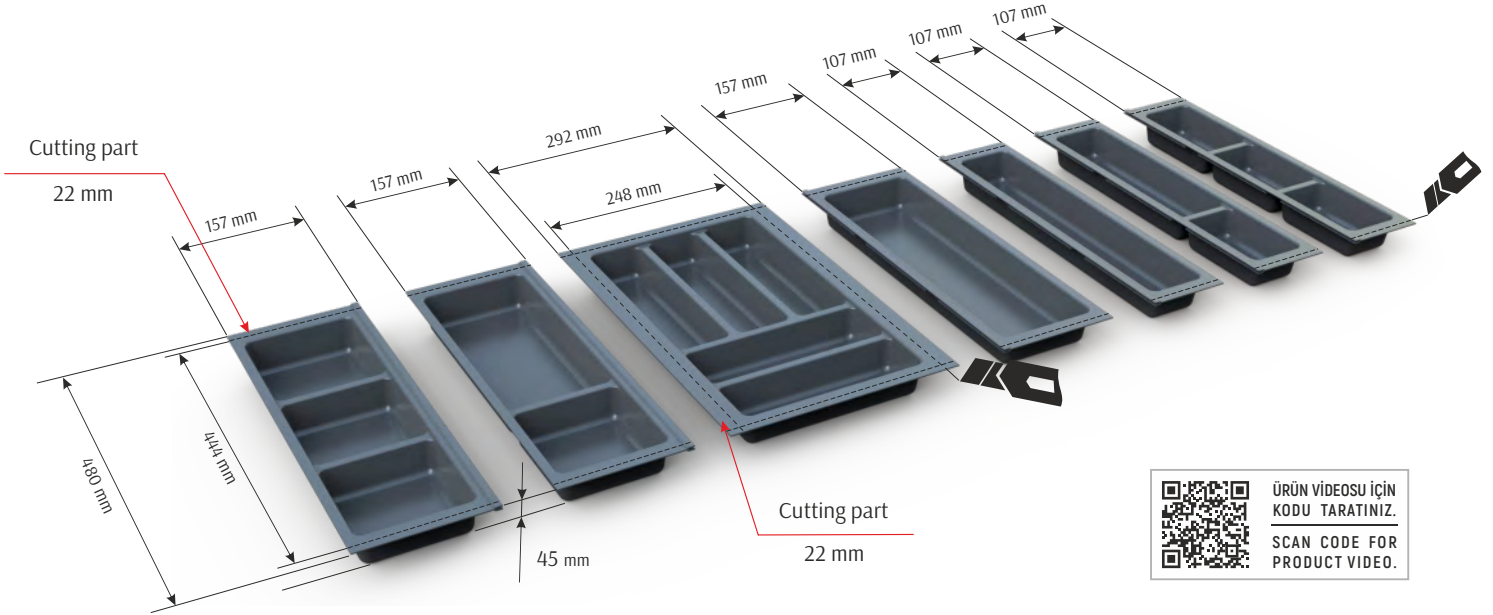
# TRAY BOND<sup>®</sup>

**Kitchen Furniture Product Family**

**new**

# TRAY BOND<sup>®</sup>

Cutlery Tray



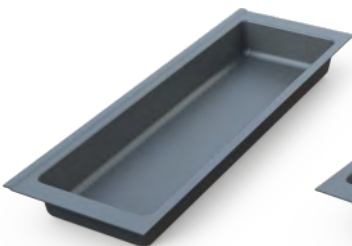
105-83-01



105-83-02



105-83-03



105-83-04



105-83-05



105-83-06



105-83-07





**105-83-08**  
for module 45



**105-83-09**  
for module 50



**105-83-71**  
for module 55



**105-83-10**  
for module 60



**105-83-72**  
for module 65



**105-83-11**  
for module 70



**105-83-73**  
for module 75



**105-83-12**  
for module 80



**105-83-74**  
for module 85



**105-83-13**  
for module 90



**105-83-75**  
for module 95



**105-83-14**  
for module 100



**105-83-76**  
for module 105



**105-83-15**  
for module 110



**105-83-77**  
for module 115



**105-83-16**  
for module 120



**105-83-78**  
for module 125



ÜRÜN VIDEOSU İÇİN  
KODU TARATINIZ.  
SCAN CODE FOR  
PRODUCT VIDEO.



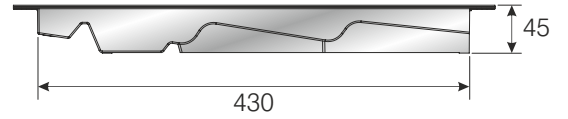
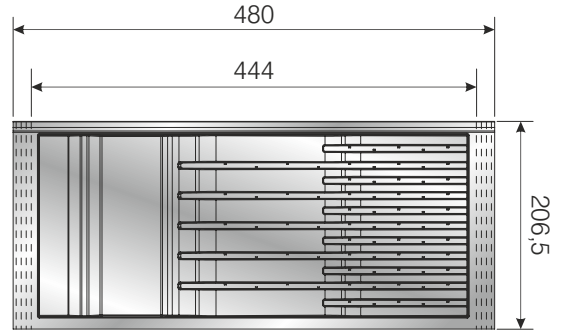
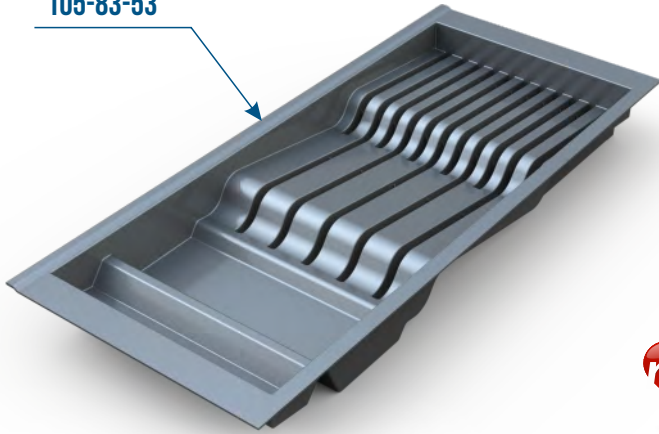
**105-83-39**  
for module 135

# TRAY BOND<sup>®</sup>

## Knife Tray

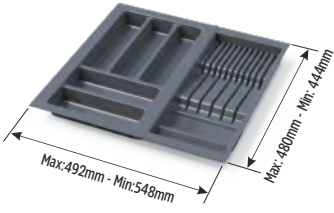


105-83-53

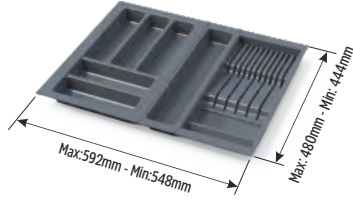


- Knife tray holds up to 5 big and 6 small knives.

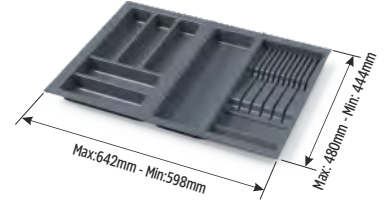




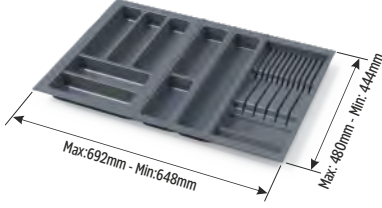
**105-83-31**  
for module 50



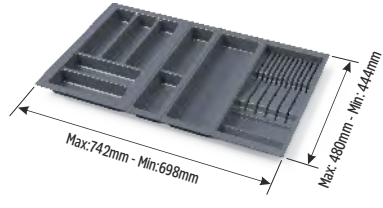
**105-83-32**  
for module 65



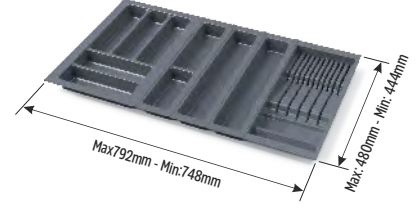
**105-83-21**  
for module 70



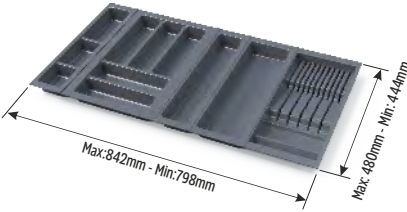
**105-83-33**  
for module 75



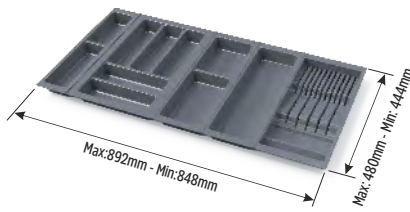
**105-83-22**  
for module 80



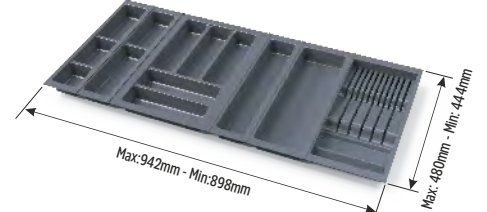
**105-83-34**  
for module 85



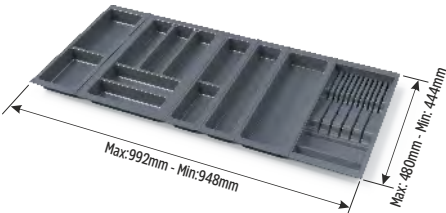
**105-83-23**  
for module 90



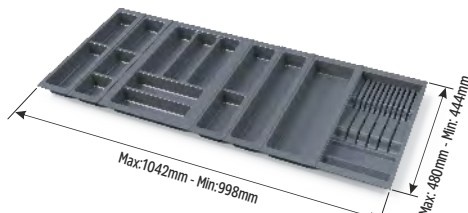
**105-83-35**  
for module 95



**105-83-24**  
for module 100



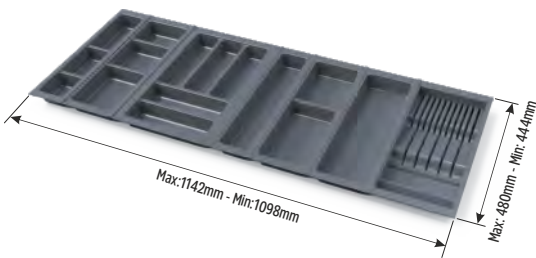
**105-83-36**  
for module 105



**105-83-25**  
for module 110



**105-83-37**  
for module 115



**105-83-26**  
for module 120



**105-83-38**  
for module 125



ÜRÜN VİDEOSU İÇİN  
KODU TARATINIZ.  
SCAN CODE FOR  
PRODUCT VIDEO.

# TRAY BOND<sup>®</sup>

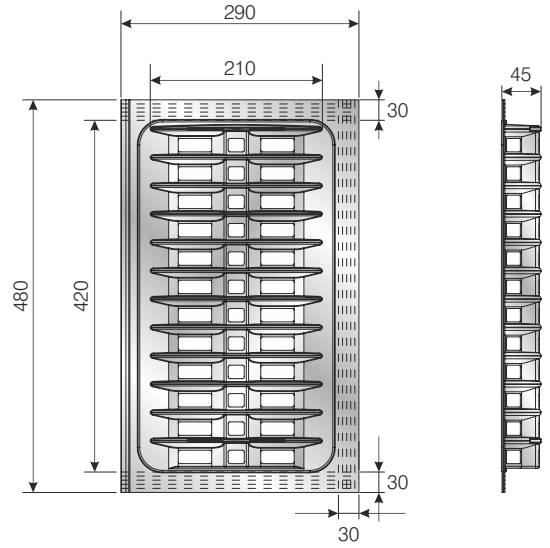
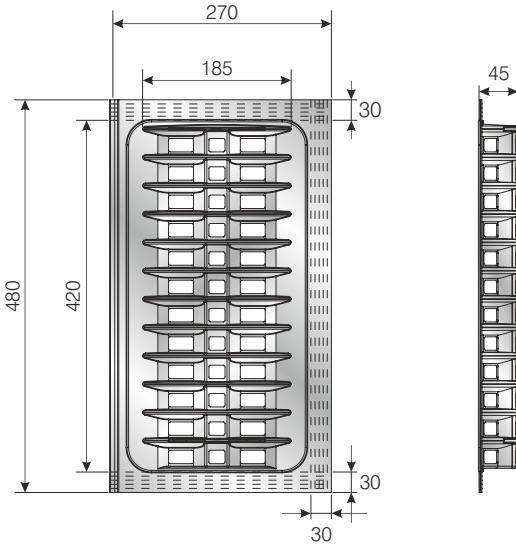
Plate Holder



105-83-51  
270 mm



105-83-52  
290 mm



ORDER CODE	270 MODULE	290 MODULE
105-83-61	x 2	
105-83-62	x 1	x 1

for module 60



ORDER CODE	270 MODULE	290 MODULE
105-83-63	x 3	

for module 80



ORDER CODE	270 MODULE	290 MODULE
105-83-64	x 1	x 2
105-83-65	x 2	x 1
105-83-66		x 3

for module 90



ORDER CODE	270 MODULE	290 MODULE
105-83-67	x 2	x 2

for module 110



ÜRÜN VİDEOSU İÇİN  
KODU TARATINIZ.  
SCAN CODE FOR  
PRODUCT VIDEO.

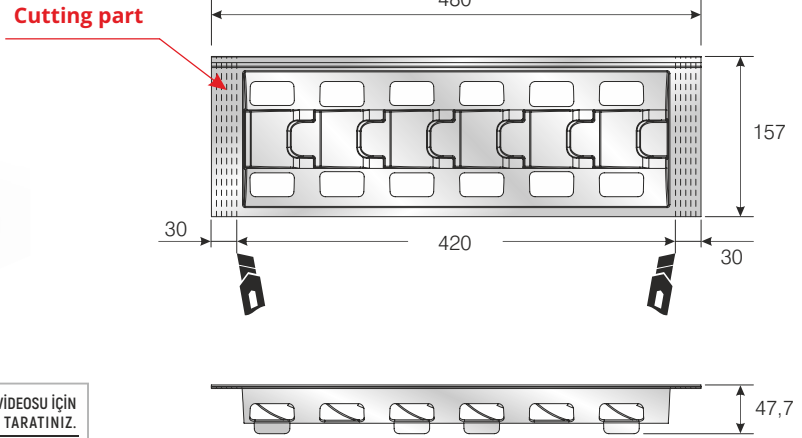
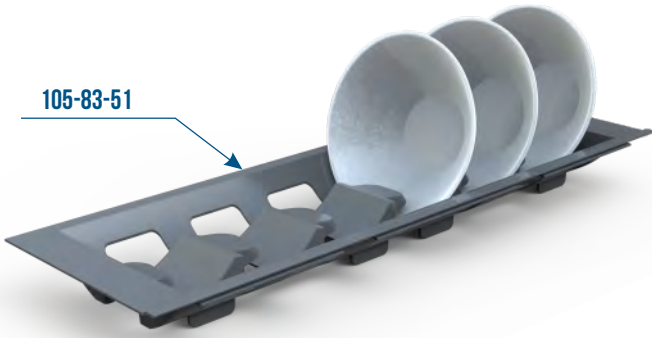
ORDER CODE	270 MODULE	290 MODULE
105-83-68		x 4
105-83-69	x 1	x 3
105-83-67	x 2	x 2

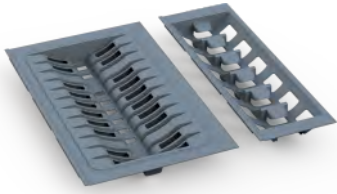
for module 120



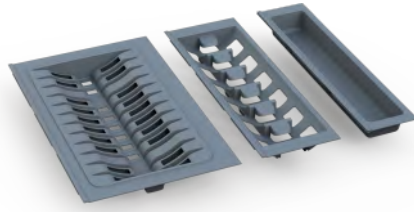
# TRAY BOND<sup>®</sup>

BOWL TRAY

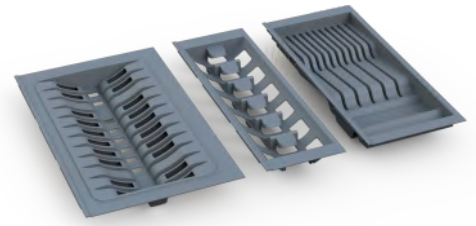




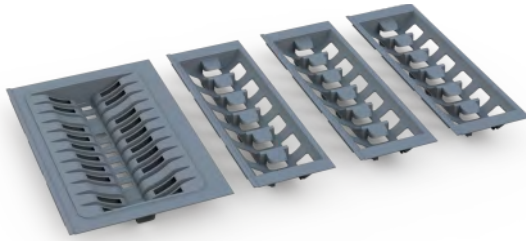
for module 50



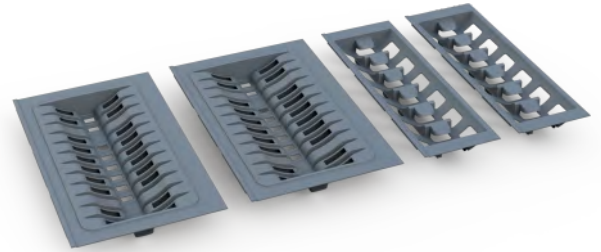
for module 60



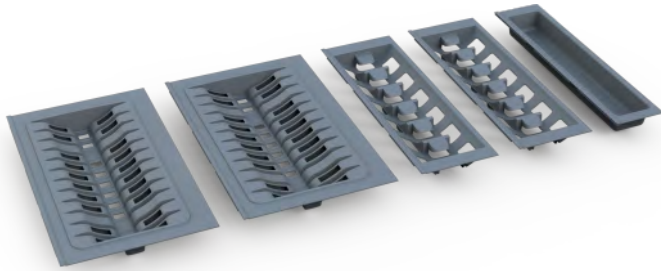
for module 70



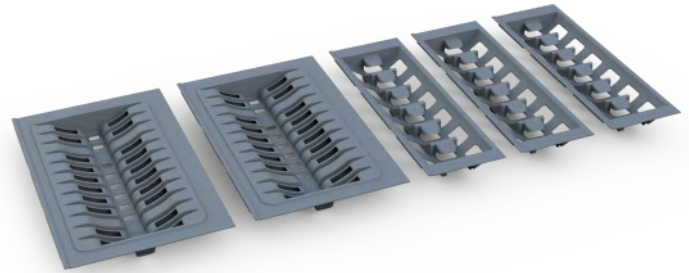
for module 80



for module 90



for module 100

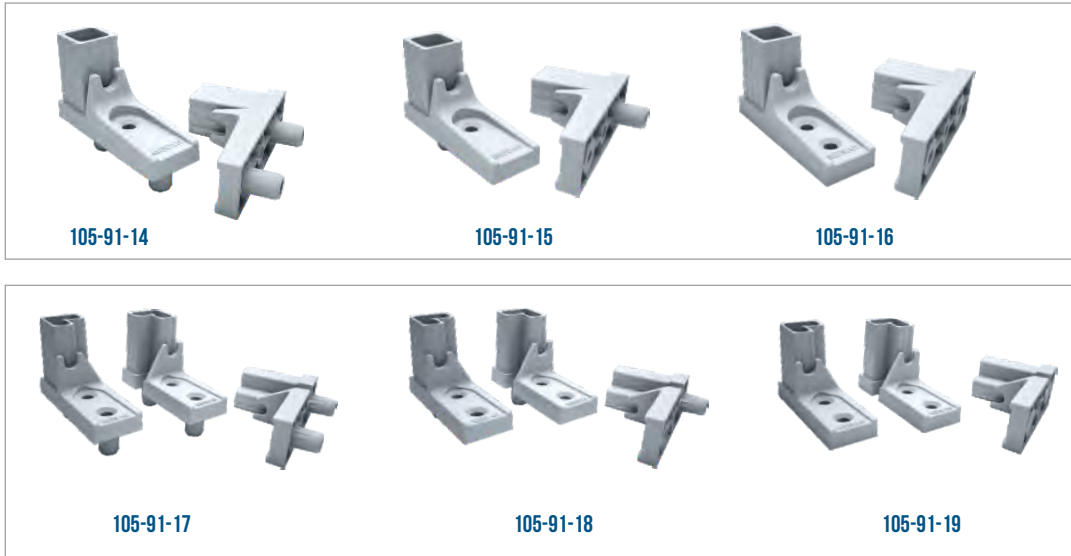


for module 110

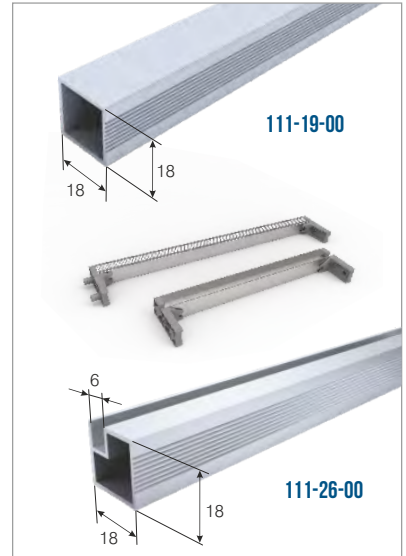


for module 120

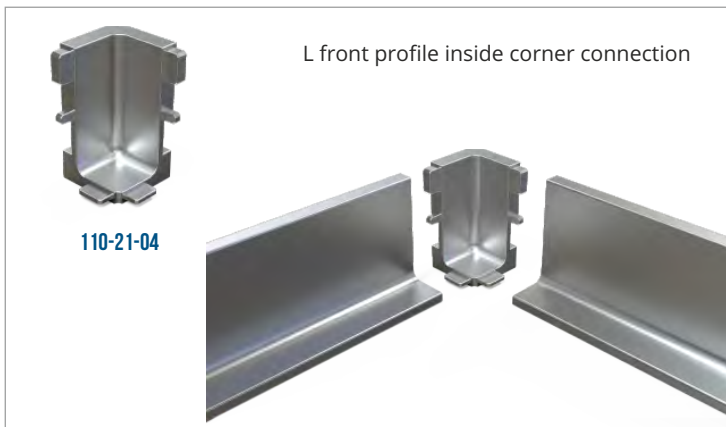
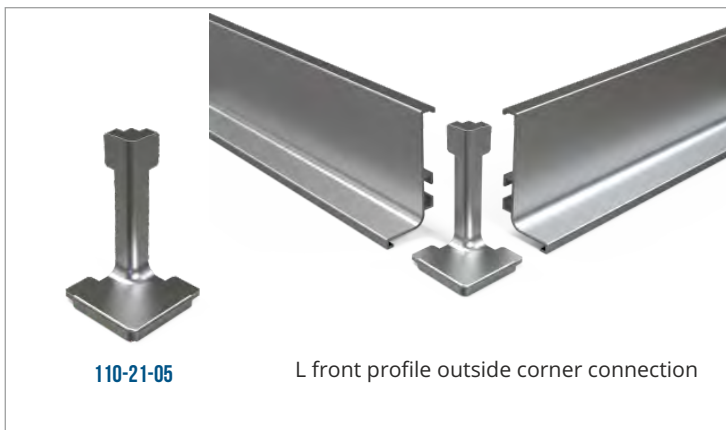
**SINK UNDER WORKTOP SUPPORT BAR, BAR HOLDER**



**SINK UNDER WORKTOP SUPPORT BAR**



**ALUMINIUM FRONT PROFILE**





**CABINET HANGING BRACKET**

Load Capacity 100 Kg

Thickness 2,5mm      Thickness 2mm

**105-02-13**      **105-02-40**      **105-02-14**      **105-02-39**  
With Assembly Set      With Assembly Set

**105-02-43**

Load capacity 75 kg

Thickness 2mm

**105-02-42**      **105-02-41**  
With Assembly Set

**105-02-47**

Thickness 2mm

**105-02-44**      **105-02-45**  
With Assembly Set

**new**

Load capacity 100 kg

**105-02-28**

**105-03-20**

**105-03-21**      **102-91-17**

REGISTERED PATENTED 2021 / 17266

**105-02-26**      **105-02-24**

Load capacity 100 kg

**105-02-25**

REGISTERED PATENTED 2016 / 08413

**105-02-18**      **105-02-19**  
Left      Right

Load carrying capacity (1 set R+L) 75+75= 150 kg

**105-02-04** Right      **105-02-06** Right  
**105-02-03** Left      **105-02-05** Left

**105-05-06**      **105-02-34**      **105-02-35**  
Ø10x10 plastic dowel      with dowels

**105-02-37**      **105-02-36**  
Right      Left

**new**

**CREOX**  
Cabinet Hanger

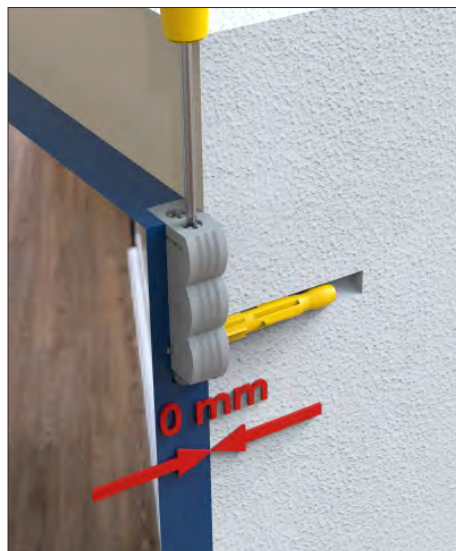
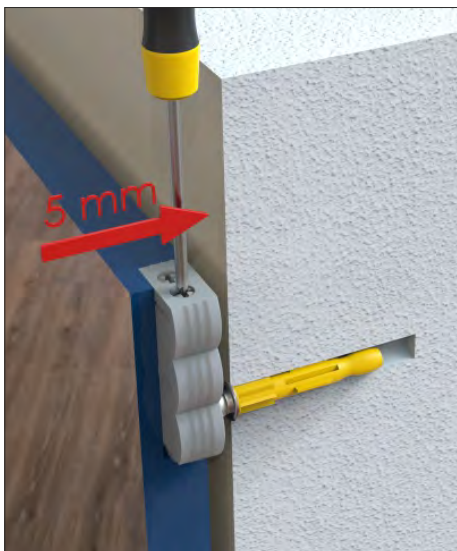
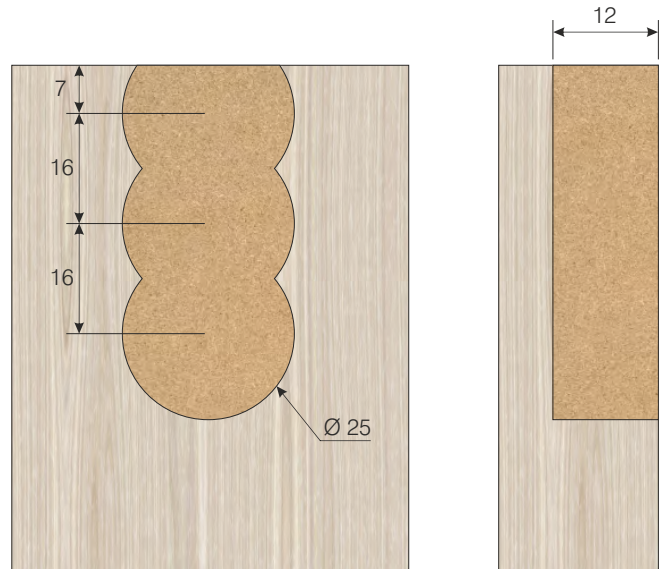
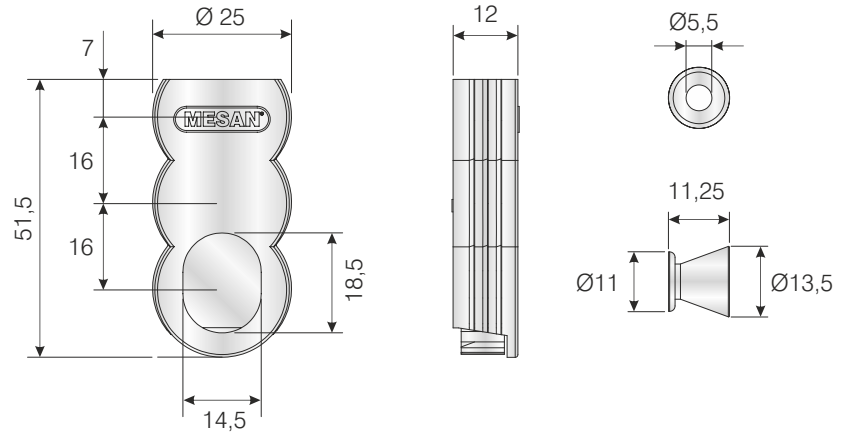
Load carrying capacity (1 set R+L) 75+75= 150 kg

**105-02-33**  
Thickness 1,5 mm

**105-02-01**  
Thickness 1,2 mm

**105-02-02**  
Thickness 1,5 mm

**DAMPER PANEL AND FRAME HANGER**



 <p><b>105-03-10</b> 103x33x2 mm</p>	 <p><b>105-03-26</b> 100x37,5x2 mm</p>	 <p><b>105-03-08</b> 100x34,5x2 mm</p>
 <p><b>105-03-09</b> 1,8 mm</p> <p><b>105-03-15</b> 2,5 mm</p> <p>54x35x1,8mm</p>	 <p><b>105-03-14</b> 1,8 mm</p> <p><b>105-03-16</b> 2,5 mm</p>	 <p><b>105-03-25</b> 100x34,5x2 mm</p>
 <p><b>105-03-01</b> 2400x33x2 mm</p>	 <p><b>110-09-12</b> Suspension Rail Cover 2400x30x6mm</p>	 <p><b>105-03-24</b> 2000 x 35 x 1,2 mm</p> <p>Breakable</p>

 <p><b>105-03-03</b> Ø5x69x20mm</p>	 <p><b>105-03-07</b> Ø6x70x20,5</p> <p>Philips PH 2 screwdriver</p>	 <p>Ø14mm    Ø20mm    Ø30mm</p> <p><b>105-03-04</b>    <b>105-03-05</b>    <b>105-03-06</b></p>
 <p><b>105-03-23</b> Ø5x69x14mm</p>	 <p><b>105-03-27</b> Ø6x55x12mm</p> <p>Pozidrive PZ 2 screwdriver</p>	 <p><b>105-03-22</b></p>





**105-71-03**    **105-71-04**  
11 LT    6 LT



**105-71-01**  
5 LT

**PATENTED**  
2014 / 06993



**105-71-01**  
5 LT

Ø220    245



**105-71-06**  
With bracket and strainer



**105-71-06**  
With bracket and strainer



**105-71-07**

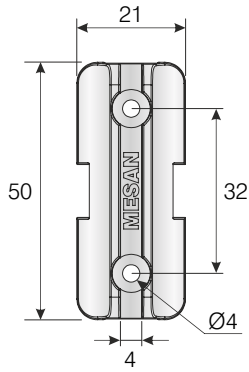
**PATENTED**  
2015 / 01834



**SPLIT DRAWER ORGANISER**



**105-91-36**

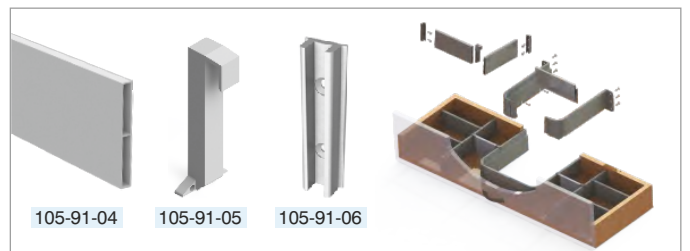
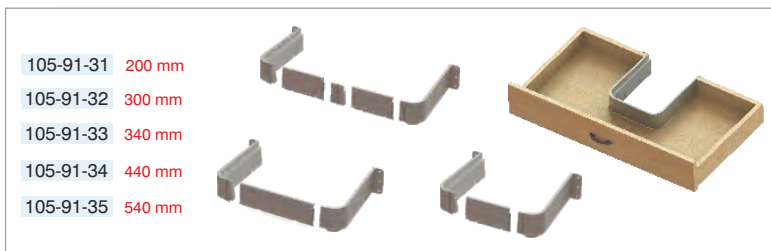
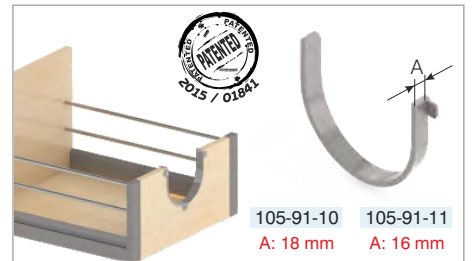
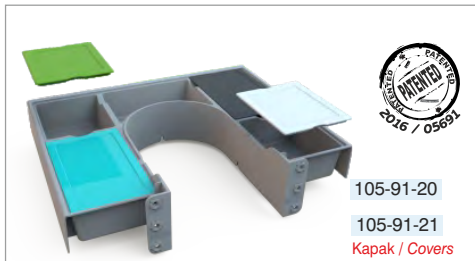


**105-91-37**  
L: 535 mm

**105-91-38**  
L: 375 mm



RECTANGULAR SIPHON PLASTIC COVER



ELIT SIPHON PLASTIC COVER WITH DIVIDERS



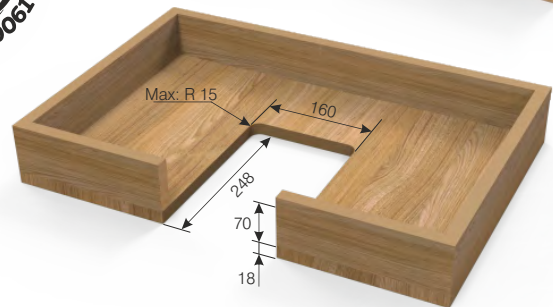
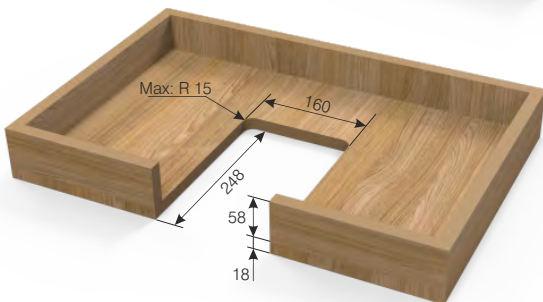
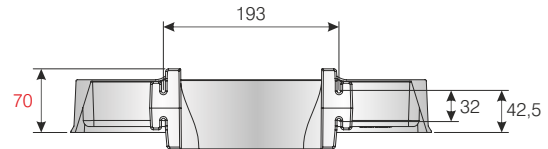
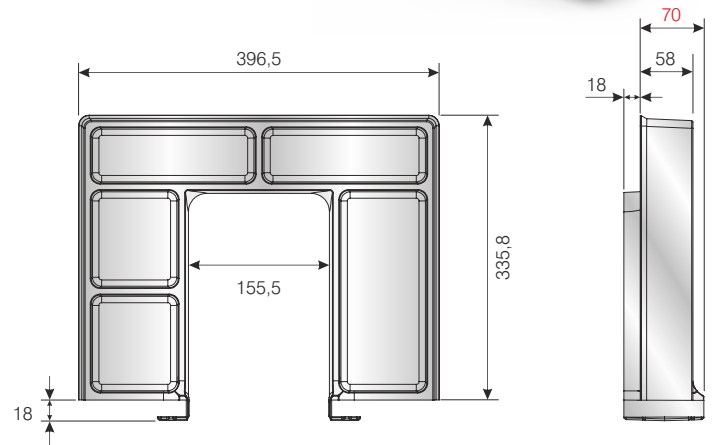
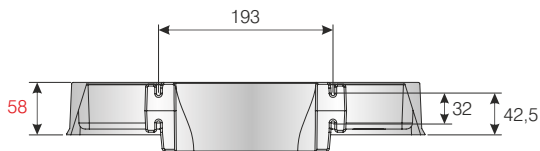
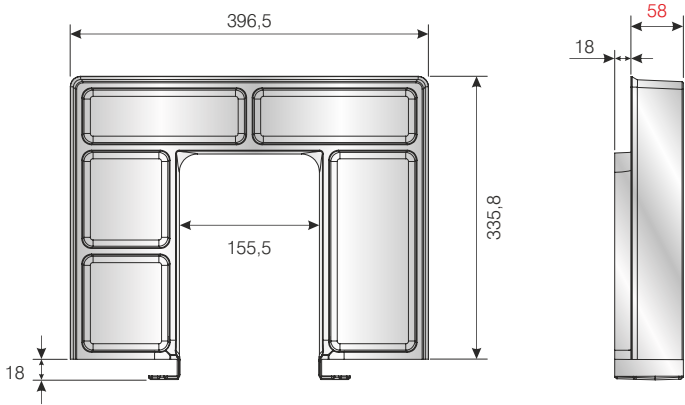
*Elit* K58

105-91-26  
58 mm



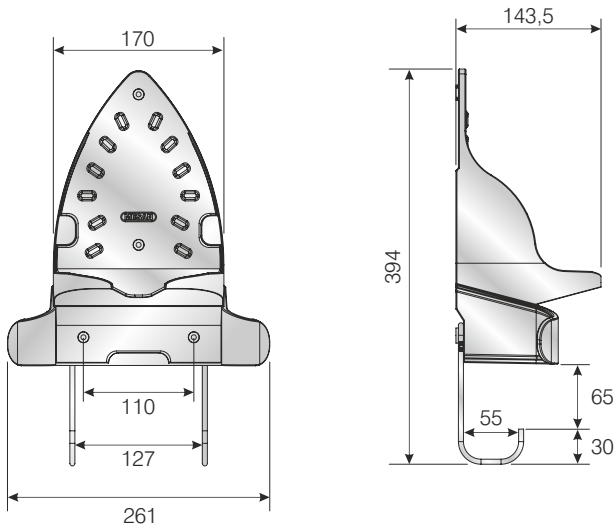
*Elit* K70

105-91-27  
70 mm

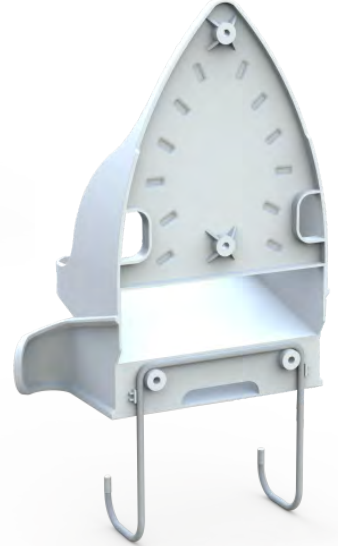


# IRONIX

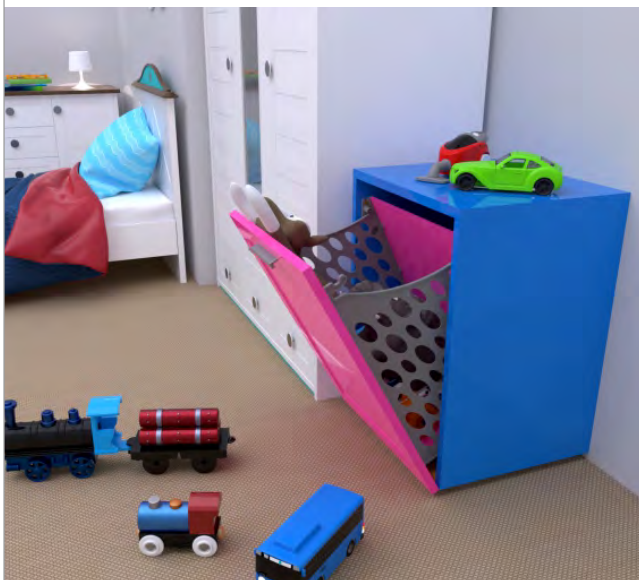
IRON AND IRONING BOARD HOLDER



105-71-09



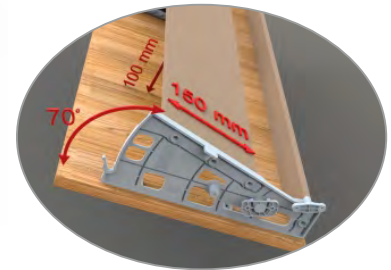
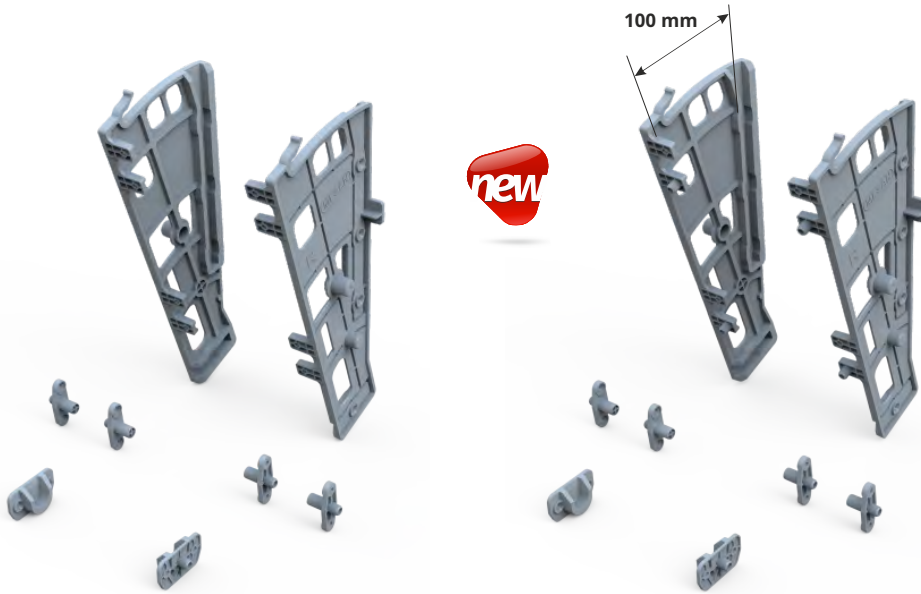
LAUNDRY STORAGE PLASTIC





Elite and Practical Plastic Shoe Rack  
**Shocab<sup>1</sup>**

Shocab Single Plastic Shoe Rack

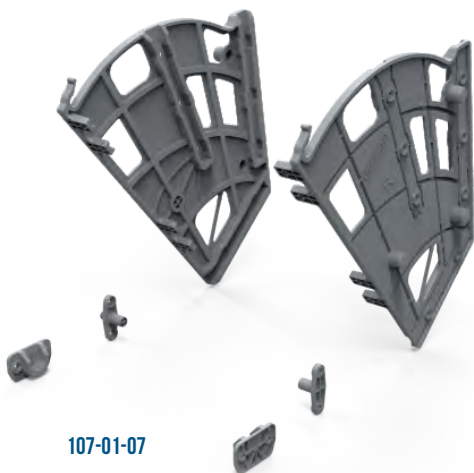
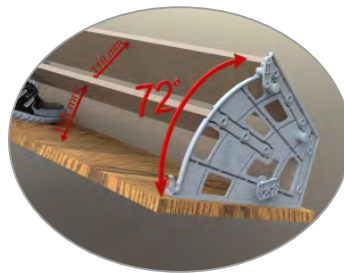


107-01-06

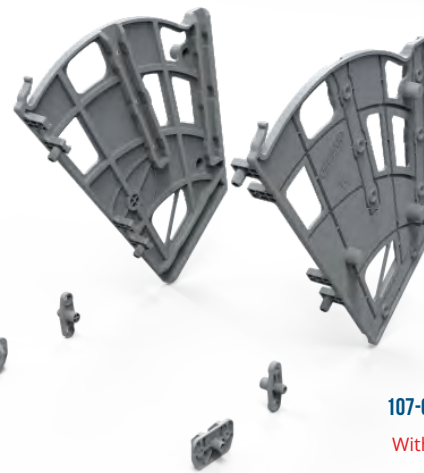
107-01-09  
With Pin

Elite and Practical Plastic Shoe Rack  
**Shocab<sup>2</sup>**

Shocab Double Plastic Shoe Rack



new

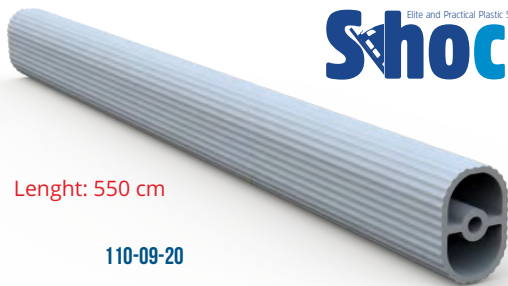
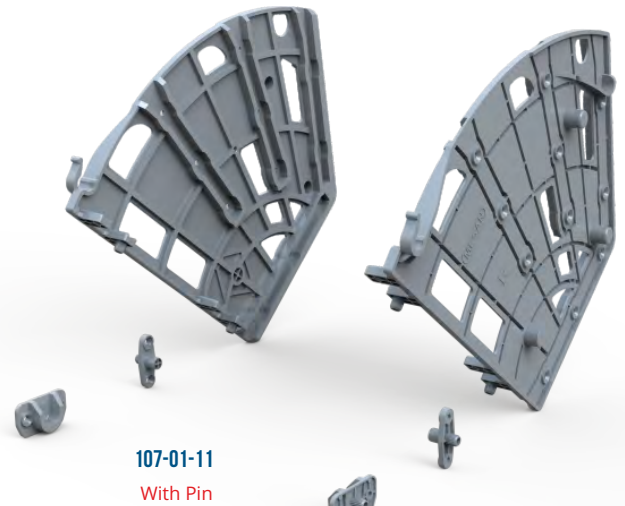
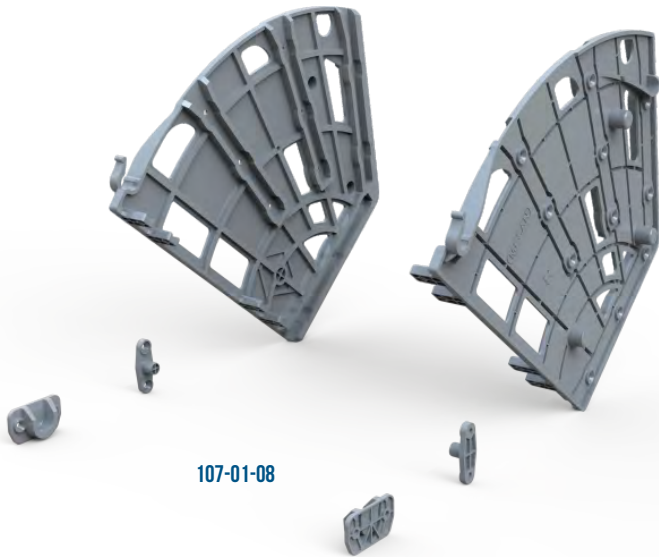
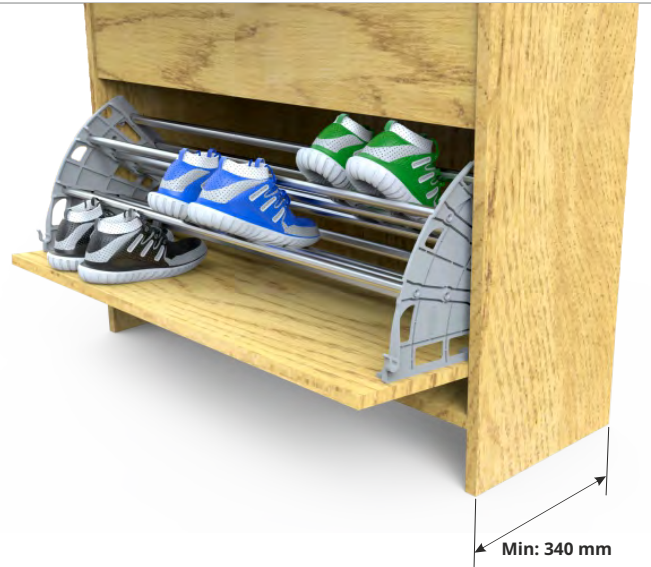
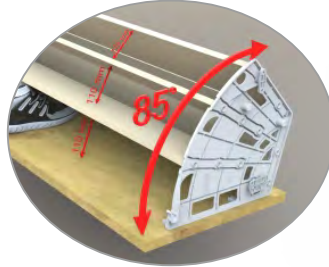


107-01-07

107-01-10  
With Pin

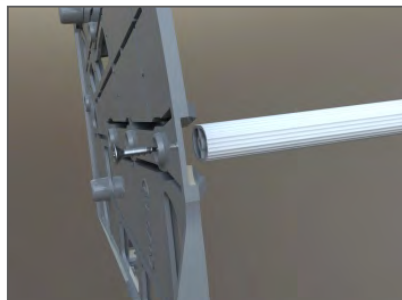
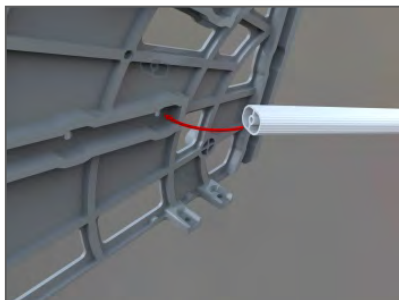
Elite and Practical Plastic Shoe Rack  
**Shocab<sup>3</sup>**

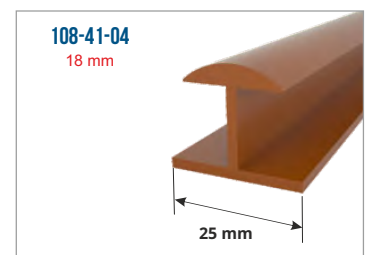
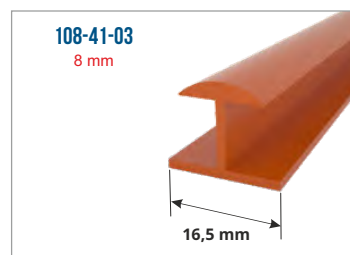
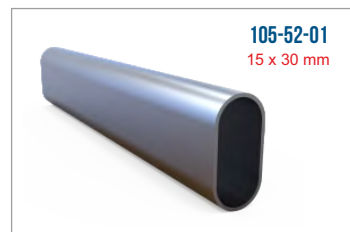
Shocab Triple Plastic Shoe Rack



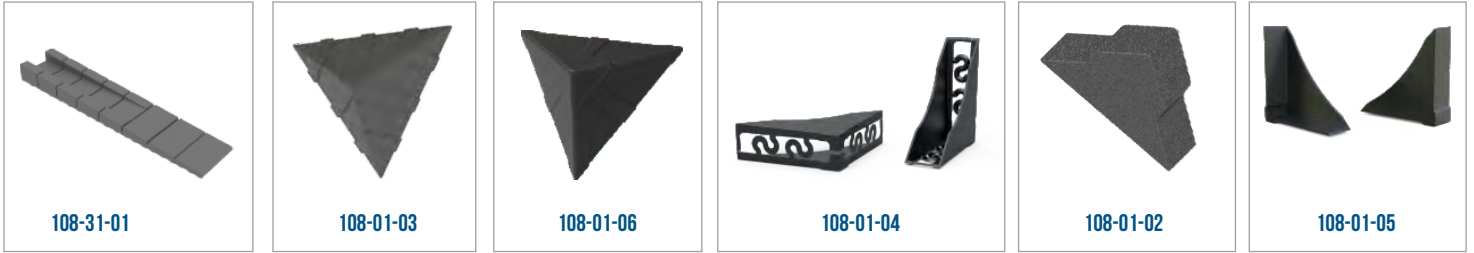
Elite and Practical Plastic Shoe Rack  
**ShocabProfile**

Shocab Plastic Profile





Protector



Stoppers



Plastic Wedge



Door stopper with soft bumper



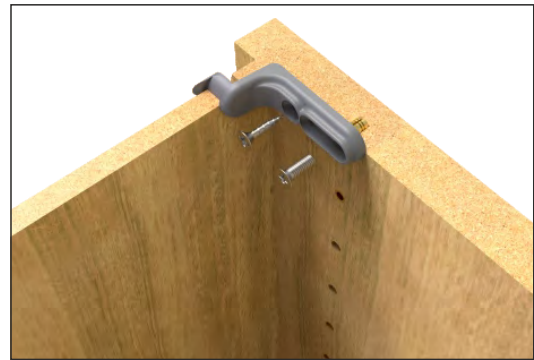
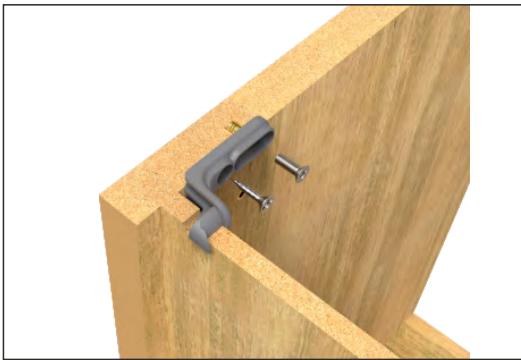
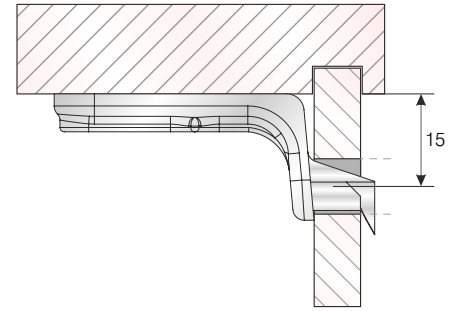
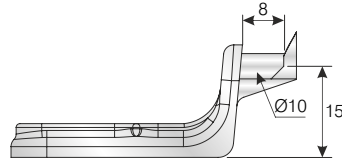
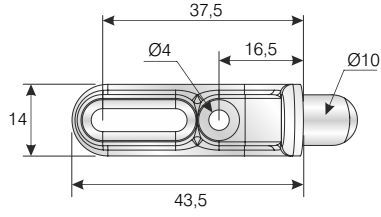
Plastic Wedge



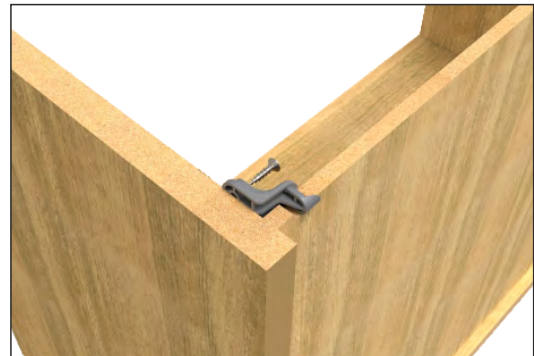
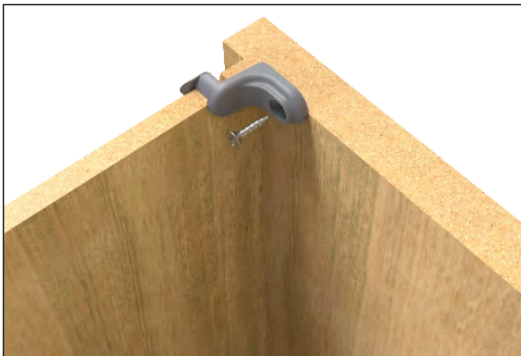
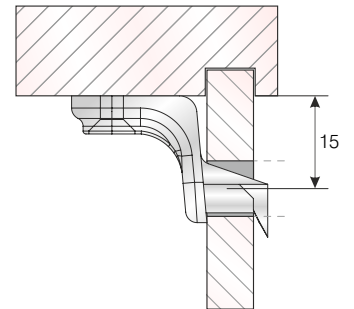
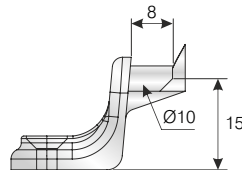
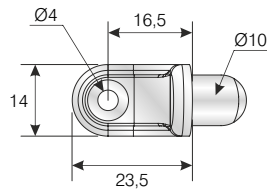
Plastic rear panel connector

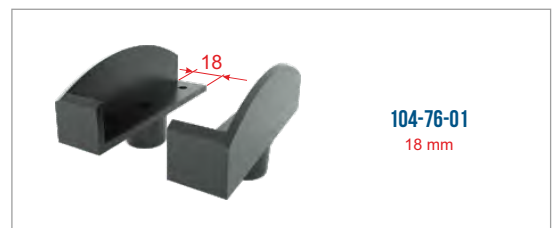
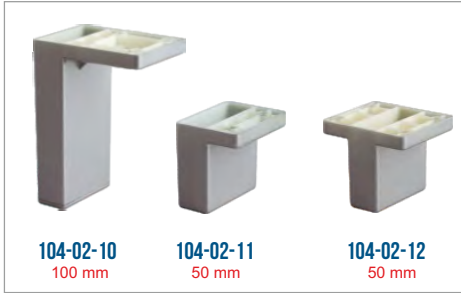
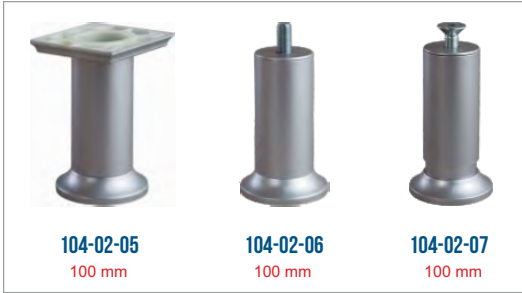


### BIND Rear Panel Fixing (Long)



### BIND Rear Panel Fixing (Short)





facebook.com/mesanplastik



twitter.com/mesanplastik



linkedin/mesan-plastik



instagram.com/mesanplastik



youtube.com/mesanplastik

Aluminium Legs



Zamac and Plastic

32x32 mm

with plastic adapter

**104-41-16**  
70 - 100 - 120  
150 - 200 mm

with zamac adapter

**104-41-06**  
70 - 100 - 120  
150 - 200 mm



32x32 mm

**104-41-11**  
70 - 100 - 120  
150 - 200 mm



M8 - M10

**104-91-01**  
M8

**104-91-02**  
M10



53x53 mm

**104-45-02**  
410 - 710mm



**104-91-03**  
For 50x50mm leg  
(Thickness 2mm)



32x32 mm




32x32 mm

**104-41-01**  
70 - 100 - 120 - 150 - 200 mm




Ø32 mm

**104-48-07**  
70-100-120-150-200 mm



Ø32 mm

**104-48-01**  
100-150-200-250-300-350 mm



Ø32 mm

**104-22-07** h: 100 mm  
**104-22-08** h: 150 mm  
**104-22-09** h: 200 mm  
**104-22-10** h: 250 mm  
**104-22-11** h: 300 mm  
**104-22-12** h: 350 mm



Ø32 mm

**104-22-04** h: 100 mm  
**104-22-05** h: 150 mm  
**104-22-06** h: 200 mm



Ø32 mm

**104-22-01** h: 100 mm  
**104-22-02** h: 150 mm  
**104-22-03** h: 200 mm



25x25 mm

**104-21-01** h: 100  
**104-21-02** h: 150  
**104-21-03** h: 200  
**104-21-04** h: 300  
**104-21-05** h: 400



Ø32 mm

**104-22-13** h: 100  
**104-22-14** h: 150  
**104-22-15** h: 200  
**104-22-16** h: 300  
**104-22-17** h: 400

Metal Legs

**104-95-06**  
Ø40x46 mm

**104-95-07**  
Ø60x46 mm

**104-94-10**  
Ø40 mm M10

**104-23-01**  
h: 100 mm

**104-23-02**  
h: 150 mm

**104-23-03**  
h: 200 mm

Ø40 mm

**104-93-12**  
Ø40mm

**104-96-05**  
20 x 40 x 2mm

Ø40 mm

**104-23-09**  
710 mm

Ø50

Ø40 mm

**104-23-04**  
410 mm

**104-23-05**  
710 mm

Ø10

32

75

64

Ø40 mm

**104-23-10**  
410 mm

**104-23-11**  
710 mm

Ø10

16

60

32

Ø40 mm

**104-23-06**  
h: 100 mm

**104-23-07**  
h: 150 mm

**104-23-08**  
h: 200 mm

**104-24-01**  
Ø60 h: 100 mm

**104-24-02**  
Ø60 h: 150 mm

**104-24-03**  
Ø60 h: 200 mm

**104-24-16**  
Ø60 h: 100 mm

**104-24-17**  
Ø60 h: 150 mm

**104-24-18**  
Ø60 h: 200 mm

**104-24-08**  
Ø60 mm  
h: 710 mm

**104-24-06**  
Ø60x1mm  
h: 410 mm

**104-24-07**  
Ø60x1mm  
h: 710 mm

**104-24-05**  
Ø60x1mm  
h: 200 mm

**104-24-09**  
Ø60 h: 410 mm

**104-24-10**  
Ø60 h: 710 mm

**104-24-11**  
Ø60 h: 100 mm

**104-24-12**  
Ø60 h: 150 mm

**104-24-13**  
Ø60 h: 200 mm

**104-24-14**  
Ø60 h: 410 mm

**104-24-15**  
Ø60 h: 710 mm

**104-23-12**  
Ø40 h: 100 mm

**104-23-13**  
Ø40 h: 150 mm

**104-23-14**  
Ø40 h: 200 mm

**104-93-13**

**104-93-15**

**104-93-14**  
Ø60 mm

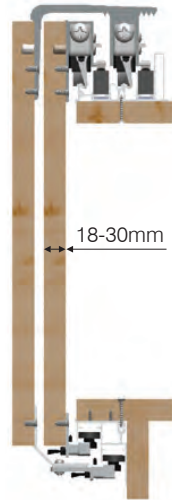
**104-95-07**  
Ø60 x 46 mm

**104-91-06**  
Ø60 x 46 mm



SLIDING DOOR SYSTEMS

**ALFA01 | A**



101-49-01



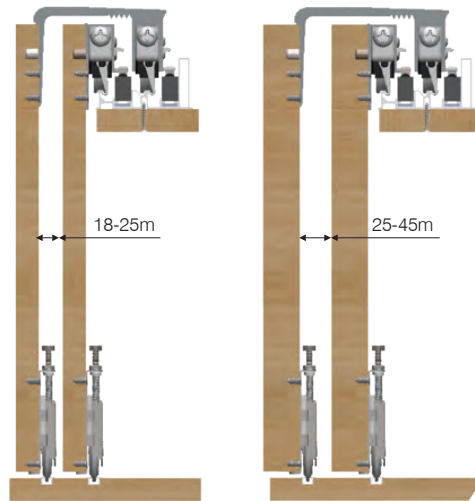
111-04-25

111-04-30



111-02-25  
111-02-30

**ALFA05 / ALFA06 | A**



101-49-01



111-03-25  
111-03-30



111-09-25  
111-09-30



111-01-25  
111-01-30



111-10-25  
111-10-30

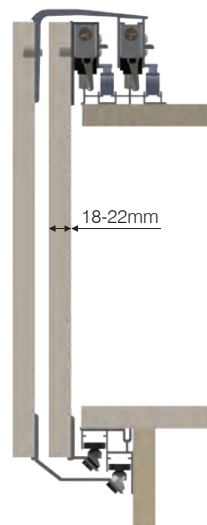


111-04-25  
111-04-30



111-11-25  
111-11-30

**ALFA11 | A**

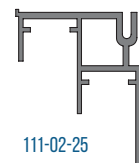


101-49-05



111-32-20

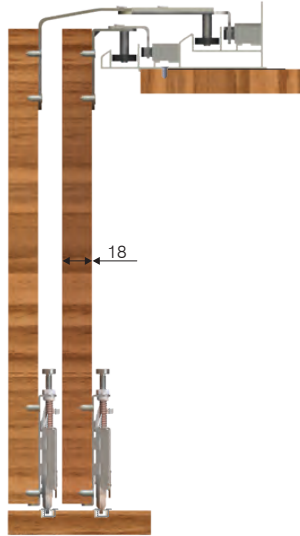
111-32-25



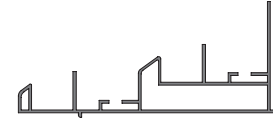
111-02-25  
111-02-30

SLIDING DOOR SYSTEMS

**BETA05 | B**



101-49-01



111-06-25 111-06-30



111-03-25 111-03-30

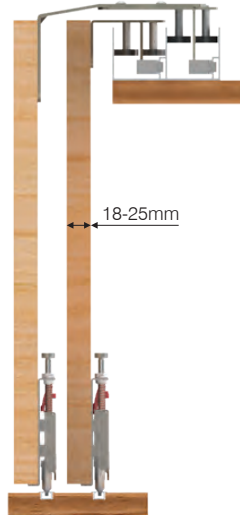


111-01-25 111-01-30



111-09-25 111-09-30

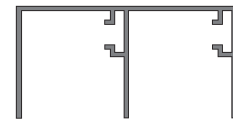
**BETA06 | B**



101-49-02



102-91-52



111-07-25 111-07-30



102-91-53



111-03-25 111-03-30

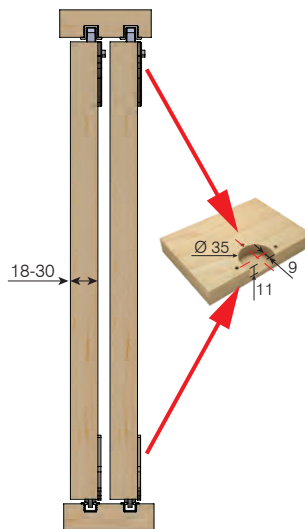


111-01-25 111-01-30

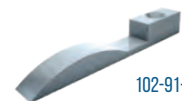


111-09-25 111-09-30

**DELTA11 | D**



102-91-52



102-91-54



102-91-53



111-51-20



AL220BT



AL500BT



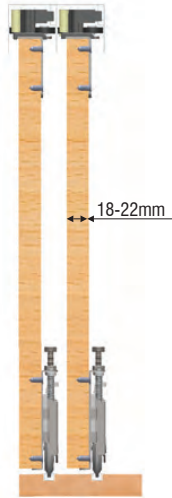
AL129BT



AL550BT

SLIDING DOOR SYSTEMS

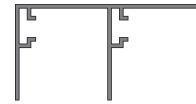
**ZETA01 | Z**



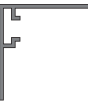
101-49-02



102-91-52



111-07-25



111-07-30



111-03-25

111-03-30



102-91-53



111-01-25

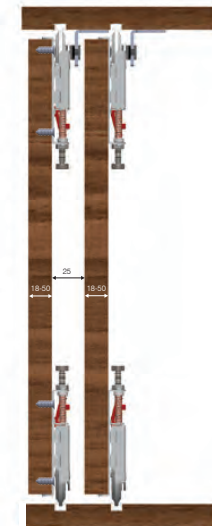
111-01-30



111-10-25

111-10-30

**ZETA02 | Z**



101-49-02



102-91-52



111-03-25

111-03-30



111-09-25

111-09-30



111-01-25

111-01-30



111-10-25

111-10-30



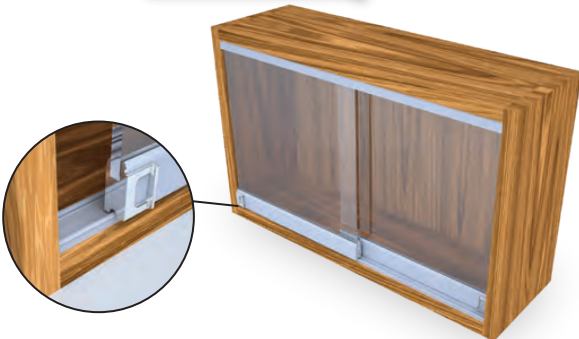
102-91-53



111-11-25

111-11-30

**GAMMA01 | G**



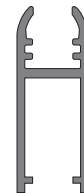
111-14-00



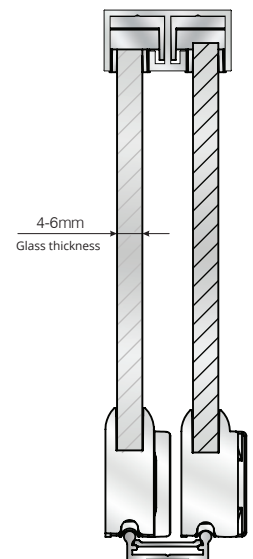
111-16-00



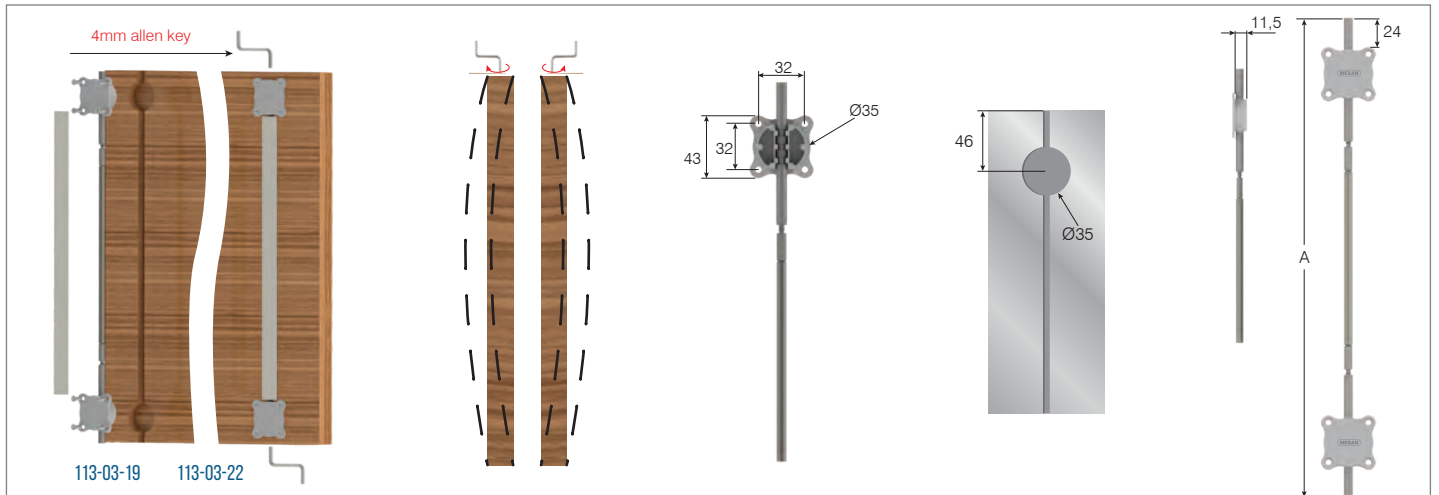
11-15-00



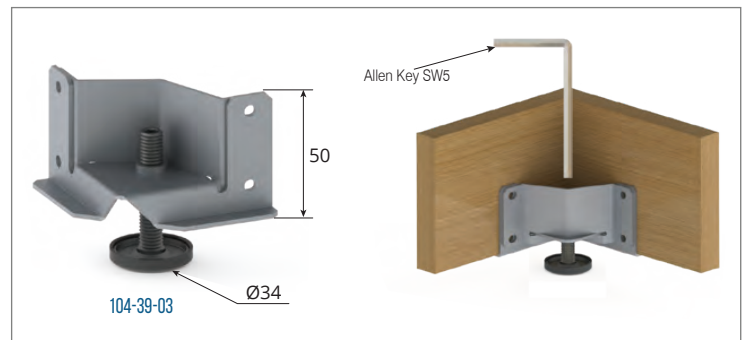
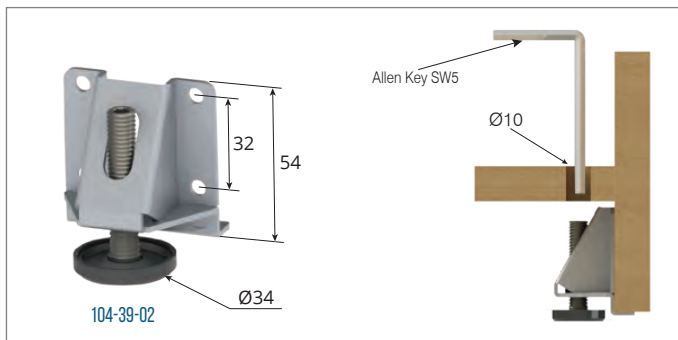
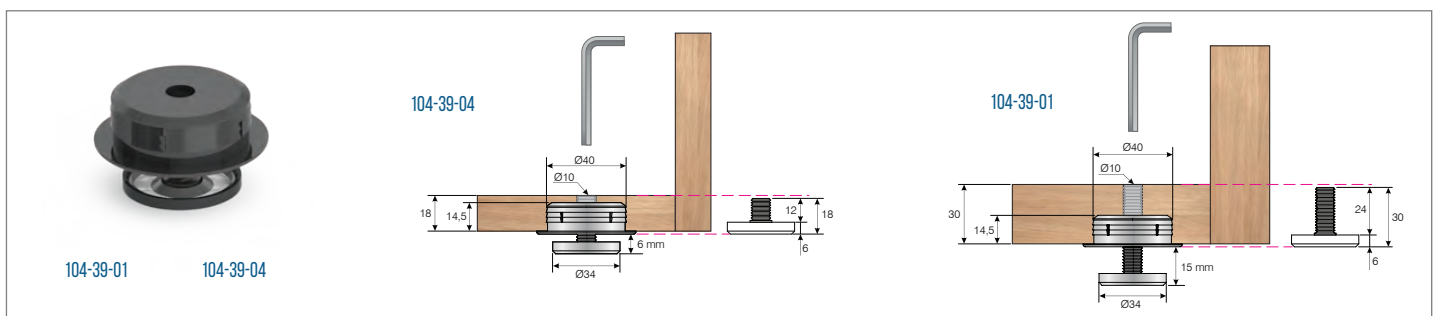
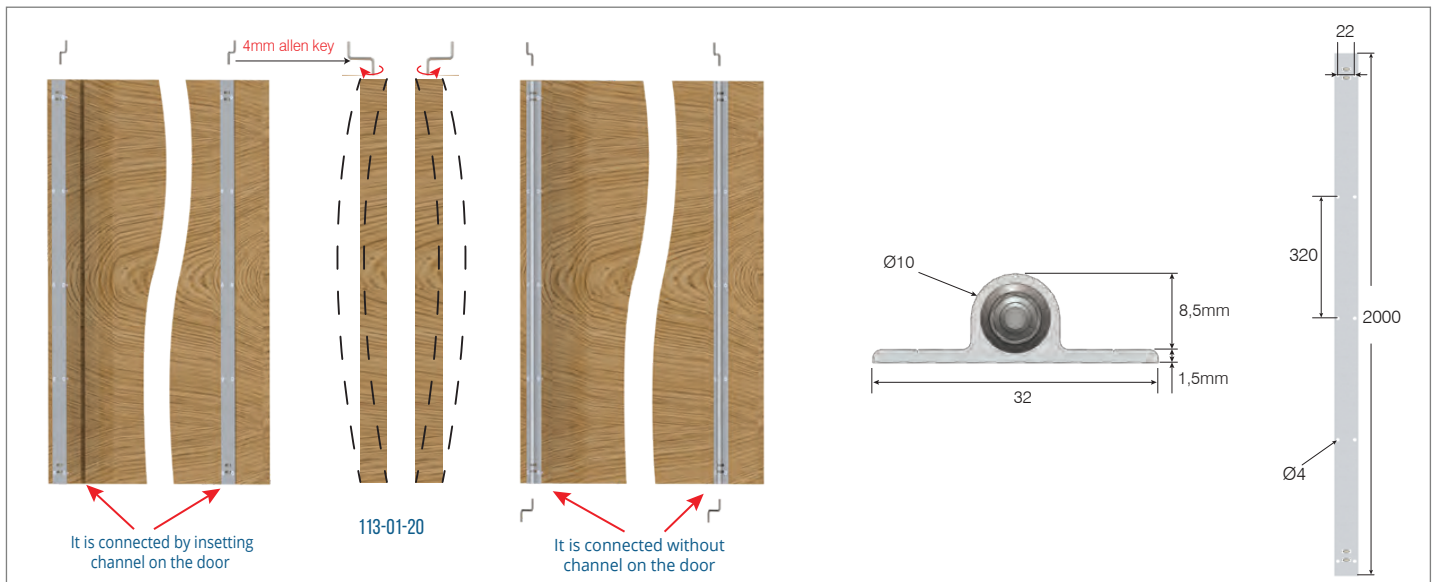
111-17-00



Metal wardrobe straightener

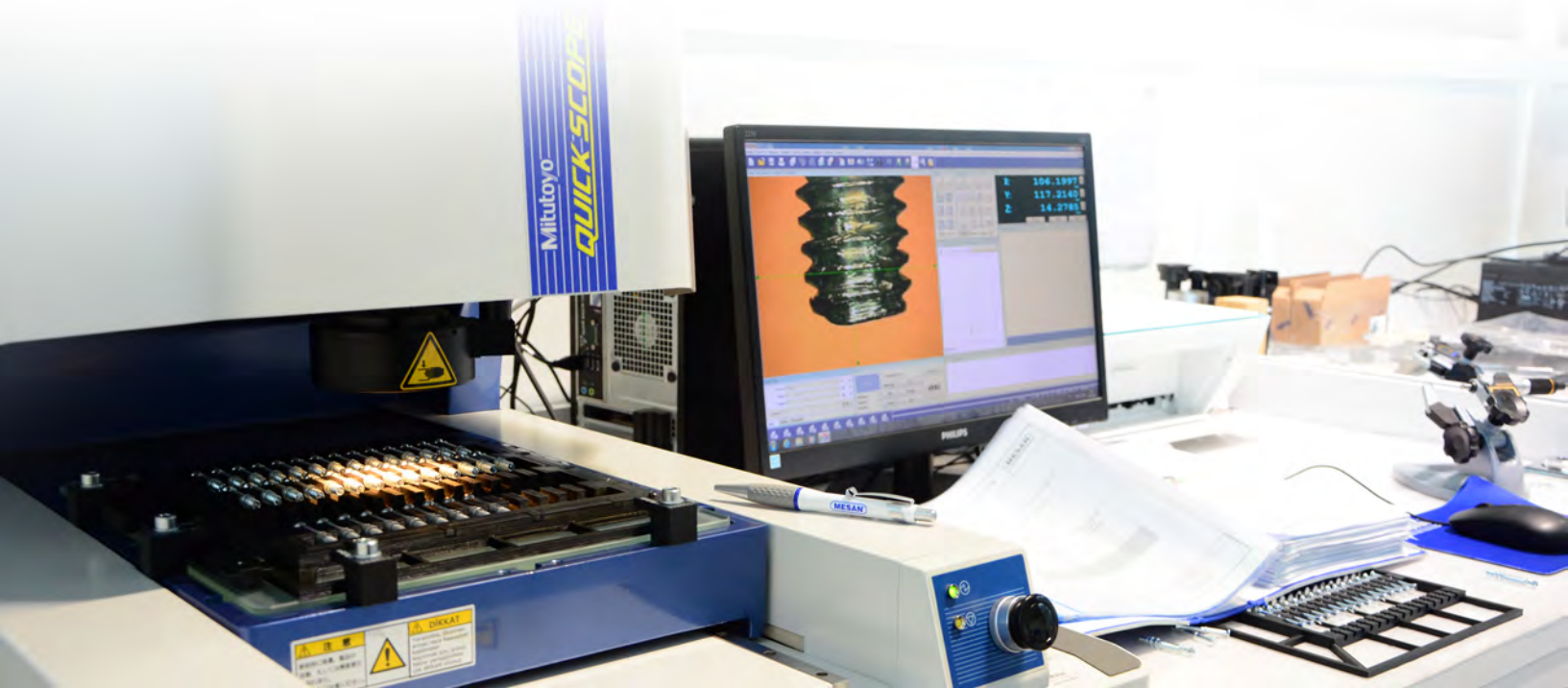


Aluminium wardrobe straightener double-sided





We have been serving our industry for 33 years with our knowledge of production without sacrificing quality.





We produce with the latest technological methods and techniques.

As an innovative company that is constantly evolving, we manufacture our automation systems according to our needs.





we take our job seriously...

We produce using the latest high-tech machines  
and first quality raw materials.





[www.mesan.com.tr](http://www.mesan.com.tr)  
[www.mesan.istanbul](http://www.mesan.istanbul)

# 2023 PRODUCT BROCHURE