

**DELTA
FIRE**



DPM1900 PORTABLE MONITOR

KEY USERS

- Fire & Rescue Services
- Petrochemicals
- Fuel Storage Sites
- Oil & Gas
- Marine
- Major Industrials

KEY FACTS

- Simple & Quick Operation
- Highly Maneuverable
- Unmanned Operation
- Compact & Lightweight
- Adjustable Elevation & Rotation
- Ball Shut-Off with Locking Handle



Low-Profile, Compact Design

Doc Ref: DDS044

DELTA FIRE

Wendover Road, Rackheath Industrial Estate, Norwich, Norfolk, UK NR13 6LH
T: +44 (0)1603 735000 | E: sales@deltafire.co.uk | E: export@deltafire.co.uk
deltafire.co.uk



GENERAL DESCRIPTION

The Delta **DPM1900 Portable Monitor** is extremely compact and lightweight lending itself to easy one-man deployment. Once sited in the optimum position to target the risk the DPM1900 can be left unmanned thanks to its low profile, stable design saving on man power.

Widely used by Professional Fire Services the DPM1900 is suited to a wide range of industry sectors including Fuel Storage Sites, Petrochemical Facilities, Waste Recycling & Bio-Mass Plants, Timber Yards and multiple Marine applications.

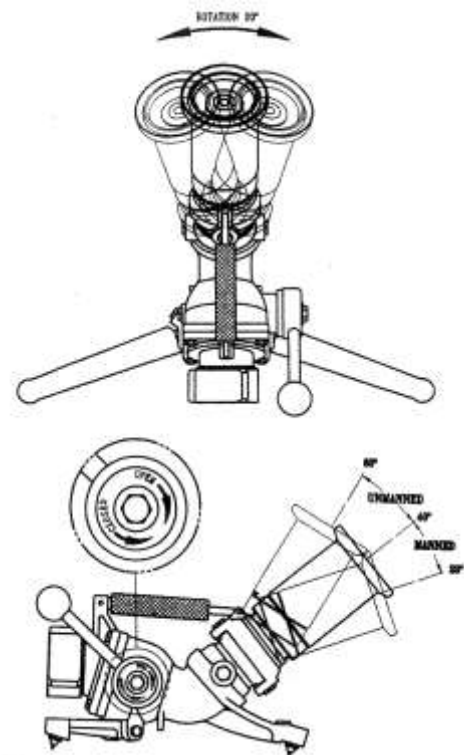
The spiked legs aid grip on most surfaces and fold away neatly after use for ease of stowage. Elevation between 30° and 60° (unmanned) or down to 20° (manned) is possible with a rotation capability of 20° either side of centre.

Supplied as standard with 2½" BSP female BSP inlet, the DPM1900 can be fitted with any International inlet adaptors for compatibility to existing hose lines.

A 2½" BSP male outlet allows easy connection of either a Standard or Self-Inducing Monitor Nozzles.

TECHNICAL DATA

Body Material	Hard Anodised Powder Coated Alluminium
Finish	Red Powder-Coated Body & Legs
Maximum Flow	1900 LPM (500 GPM)
Maximum Safe Operation	10 bar (150PSI)
Elevation	30° to 60° Unmanned / Down to 20° Manned
Rotation	20° Either Side of Centre
Inlet	2½" BSP Female (Any International Fitting Available)
Outlet	2 ½" BSP Male
Weight	7Kgs



DELTA FIRE

Wendover Road, Rackheath Industrial Estate, Norwich, Norfolk, UK NR13 6LH
 T: +44 (0)1603 735000 | E: sales@deltafire.co.uk | E: export@deltafire.co.uk
deltafire.co.uk

