

COMMITMENT



People are in fact the most important factor in a company... The working group that supports VLB has been set up to merge highly specialised professionals. All of them with proven experience in the field of machine tools, in particular in pipe and tube bending and sheet processing.

Dedication is the backbone of the VLB brand. The joint mindset of all team members is crystal clear; the development and production of innovative and highly effective solutions for pipe and sheet processing.

We want to serve the market not only with the highest

quality equipment and technology, but also with a superior service on after-sales and technical support. Customers for life ...

STATE-OF-THE-ART-MANUFACTURING

We strive not only for excellence in human resources, but also in the ultra-modern production facilities that cover an area of more than 10,000 m².

The machinery consists entirely of CNC equipment from the world's leading manufacturers. To improve efficiency, these machines are strategically placed in an exclusive production hall with a surface area of 3,000 m².

The programming is centralised in a specialised CAM department from which production is monitored by dozens of specialised technicians.

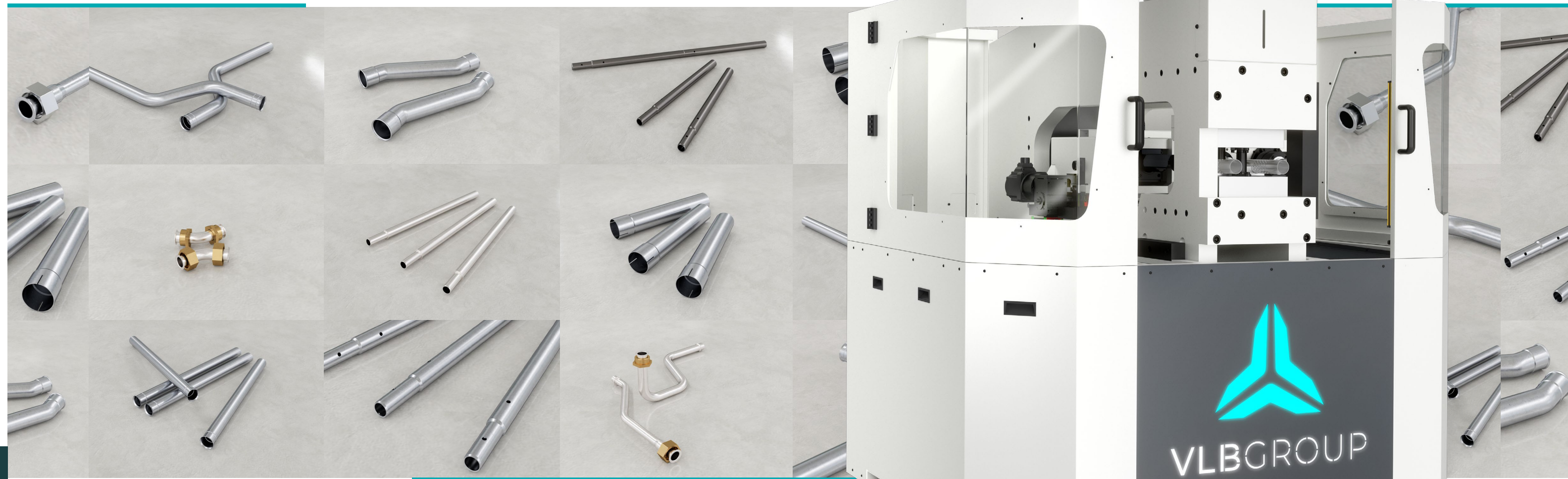


TOP LEVEL ENGINEERING

Although the name VLB is a recent brand in the market, our team has dozens of years of accumulated experience in metalworking machinery, especially in tube and plate forming.

The search for excellence is in the company DNA. We have scouted and incorporated experienced professionals, in all aspects of the process: research and development, the manufacturing process, software development, automation and so on. In addition to the constant dialogue with our customers, we actively cooperate with universities and scientific institutes in order to develop new solutions.

This mentality enables us to always stay one step ahead in responding to current needs, and especially to be prepared for the challenges within the current industrial environment.



VLB GROUP
Rua da Indústria, 40
4770-367 Mouquim - V. N. de Famalicão
Portugal
Tel. +351 252 213 484
Email: sales@vlb-group.com



VISIT OUR WEB
WWW.VLB-GROUP.COM

VLB España
Polígono Málpica Alfindén - Calle Olmo nº 32
50171 La Puebla de Alfindén - Zaragoza- España
Tel. +34 976105964
Email: juancarlos@vlb-group.com

VLB Benelux
Marconistraat 14
6604 BX Wijchen - Nederland
Tel. +31 (0)88 70 80 700
Email: benelux@vlb-group.com

VLB Itália
Z.I. Via Industria, 25/27
25030 Torbole Casaglia (BS) - Itália
Tel. +393 357 102 837
Email: italia@vlb-group.com



VISIT OUR WEB
WWW.VLB-GROUP.COM



VLB GROUP

GENERAL CATALOGUE

PIPE END FORMING MACHINES

VLB develops, produces, installs and provides technical support to pipe end forming machines.

EF series end prep machines are fast, accurate and very versatile. They enable the endforming of pipes with high complexity, high deformation levels and high repeatability.

Our machines can be **all electric** or **hybrid**. In all models the sequence of tools and their linear positioning is driven by a servo motor and controlled by an easy-to-program numerical command, which guarantees movement speed and enormous precision.

VLB's tube end forming machines can be equipped with up to 6 forming stations, including rotary stations for specific tasks and special jobs.

HMI INTERFACE



The powerful control of the EF pipe end machining is easily programmable via the touchscreen. The software is very intuitive, easy to program and fully developed by our IT department to the same consistency as all other software. From the operator's viewpoint, this facilitates communication of instructions in a pleasant and logical way. Sequences and parameters for each operation can be easily modified and saved for future use. The software also allows easy integration with tube loading and unloading systems and other production cells, such as bending machines.

EASY INTEGRATION IN PRODUCTION CELLS

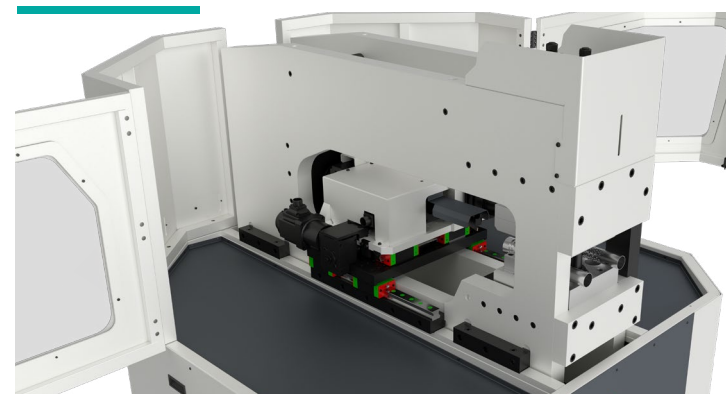
Aware of the needs of modern industry, the new bending machines have been developed with a clear goal, **productivity!** They are completely designed and **prepared for the highest production level (24/7)**.

Mechanically, they only contain **high-quality** and **low-maintenance** components.

In terms of **software** and **hardware**, they can effortlessly **integrate with automatic loading and unloading systems** such as **tube storages, robots** or **manipulators**.



EASE OF USE ON MAINTENANCE



In addition to the technical possibilities, the EF tube forming machines have also been developed with an eye on the use of operation and maintenance of the machines. The design is compact and all components are logically integrated into the design for easy access. There are no moving parts that cause high friction. All components are of a high quality and equipped with high performance linear guides, which means that the cycle time, electricity consumption and the need and cost of maintenance are significantly reduced.

EF63/3CNC
100% electric end former
End forming and milling station
Compact design



More information

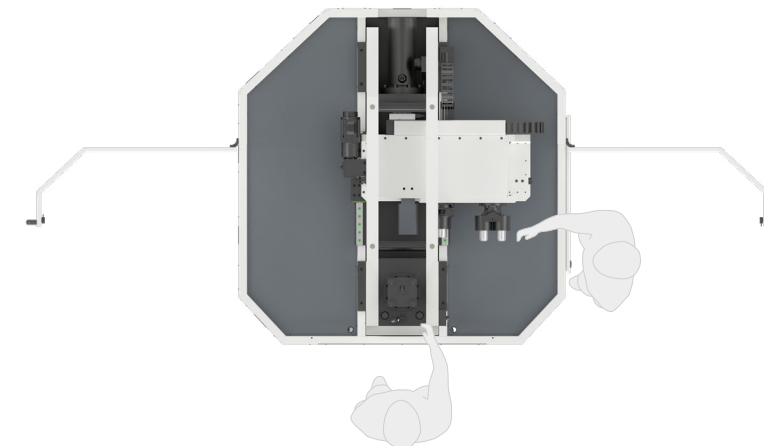
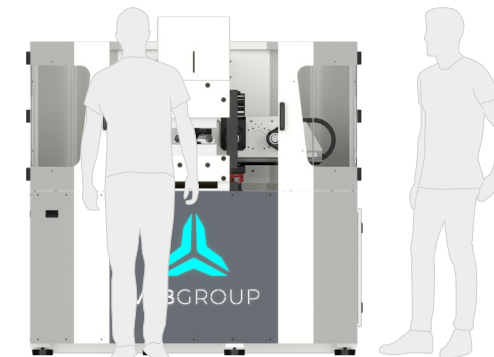


EVOLUTIONARY DESIGN

Our end forming machines are the result of **decades of experience**. The user experience of thousands of customers worldwide have resulted in unique **application-oriented solutions** for these machines.

We facilitate human-machine "communication", using visual status indicators and warning messages. We improve **operating comfort**, preventative maintenance, corrective actions and increase the safety of the operator and equipment.

In addition to the technical possibilities, the EF tube forming machines have also been developed with an eye on the use of operation and maintenance of the machines. The design is compact and all components are logically integrated into the design for easy access. The safety panels act as doors that release the entire front of the machine for intervention when opened.

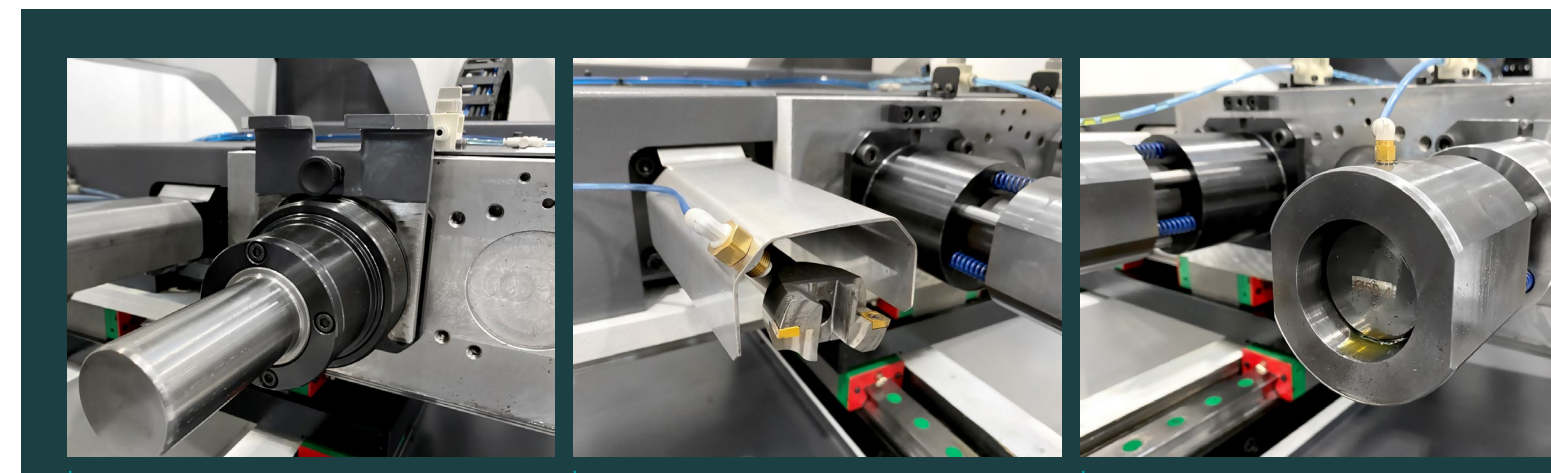


THE RIGHT SOLUTION FOR ALL SECTORS

The EF-series is enormously versatile, the numerical control, easy to program, with a high capacity for storing programs, combined with a quick tool change, increases the productivity and versatility of these machines.

Suitable for high speed assignments such as the **automotive** and **furniture sectors** and for more varied assignments and shorter series such as aerospace, energy, etc.

Regardless of the configuration, the level of **control, repeatability** and **versatility** is always high and efficient!



Forming station quick tool change

Milling station rectifying station

Double action tooling with internal lubrication