



CDVI

Security to Access



LOCKING

**Electro-magnetic, electric,
and strike locks**

www.cdvi.co.uk

Electro-Magnetic Locks

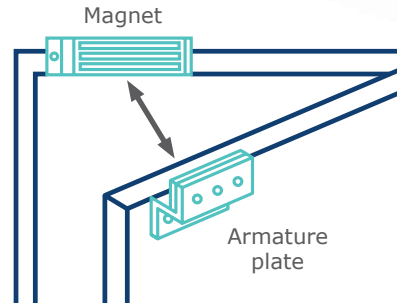
Electro-magnetic locks consist of an electro-magnet and an armature plate. They are designed to be easy to install and offer both durability and longevity.

How it works

The armature plate is attached to the door, and the magnet is attached to the door frame.

When power is applied, a magnetic field is created and the magnet becomes strongly attracted to the armature plate. The strength of the attraction prevents the door from being opened. When power is removed, the magnetic field drops and the door can be opened.

All electro-magnetic locks are, by their nature, **fail safe** solutions.



Where to use it

Electro-magnetic locks are suitable for a wide variety of security and access control applications. They are particularly suited to:

Emergency exits and fire doors which must allow free egress in case of an emergency

Glass doors which cannot take other types of electronic lock

Doors controlling entry with a card reader or other access control method



Locking Solutions

V Series (Surface)

- Surface mount magnets
- Holding force 300 to 500kg
- Monitored magnets
- LED visual indication
- Some models with buzzer
- IP42 rated



I Series (Surface)

- Surface mount magnets
- Internal or external use
- Holding force 180 to 500kg
- Monitored magnets
- Stainless steel construction
- IP54 rated



V Series (Mortice)

- Mortice mount magnets
- Holding force 300 or 400kg
- Monitored magnets
- No moving parts
- Ideal for sliding doors
- IP42 rated



I Series (Mortice)

- Mortice mount magnets
- Internal or external use
- Holding force 180 to 500kg
- Monitored magnets
- Stainless steel construction
- IP54 rated



SD Series

- Double surface magnets
- Holding force 600 or 1000kg
- Monitored magnets
- LED visual indication
- Round edges & safety ropes
- IP42 rated



AT Series

- Comes with aesthetic housings and brackets
- Forms part of door frame
- Satin anodised aluminium
- Quick & easy installation
- Flexible options



C Series

- Single or double magnets
- Surface mount
- Holding force 300 to 1000kg
- Monitored magnets
- LED visual indication
- IP42 rated



HSM Series

- Ideal for automatic doors requiring smaller locks
- Holding force 680kg
- Single or double options
- Inward or outward-facing door options



Architectural Handles

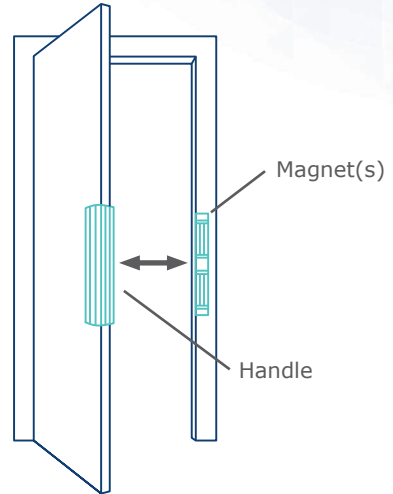
These handles consist of electro-magnetic locks mounted into sleek and aesthetic handle housings. They are particularly suited to installation in high-traffic areas requiring strong holding force.

How it works

The magnets are mounted into the backplate, which is fitted to the door frame. The armature plates are part of the handle, fitted to the door.

The handles are **fail safe**. When power is applied, a magnetic field is created and the magnets are strongly attracted to the armature plate, holding the door closed and locked.

When power is removed, the magnet releases and the door can be freely opened.



Where to use it

Architectural handles are becoming increasingly popular for high-traffic areas as a robust and durable solution. Moreover, full-length handles can hold up to three electro-magnets, offering a holding force up to 1200kg.

Schools, halls of residence, public buildings

Wooden, metal, and glass doors

Indoor or outdoor installations



Locking Solutions

EVO Series (Short)

- Surface mount handle
- Holding force 300 or 600kg
- LED status indicators
- Monitored magnet(s)
- 500mm or 700mm length
- IP42 & IK10 rated
- Custom RAL colours
- Vertical/horizontal install



EVO Series (Long)

- Surface mount handle
- Holding force 600 or 900kg
- LED status indicators
- Monitored magnet(s)
- 2500mm full length
- IP42 & IK10 rated
- Custom RAL colours
- Vertical install



P Series (Short)

- Surface mount handle
- Holding force 300 or 600kg
- Monitored magnet(s)
- 400mm or 600mm length
- Custom RAL colours
- Vertical/horizontal install
- Retrofit or new build



PBO Series (Short)

- Surface mount handle
- Holding force 400 or 800kg
- Monitored magnet(s)
- 400mm or 600mm length
- Custom RAL colours
- Vertical/horizontal install
- Retrofit or new build



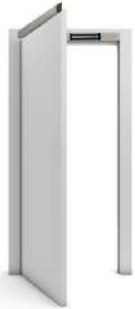
BO Series (Long)

- Surface mount handle
- Holding force 600 to 1200kg
- Monitored magnet(s)
- 2500 or 3000mm full length
- Custom RAL colours
- Vertical install
- Retrofit or new build



BO600RH

- Surface mount handle
- Holding force 600kg
- Monitored magnet(s)
- 925mm length
- Custom RAL colours
- Horizontal install
- Retrofit or new build



Electric Strikes

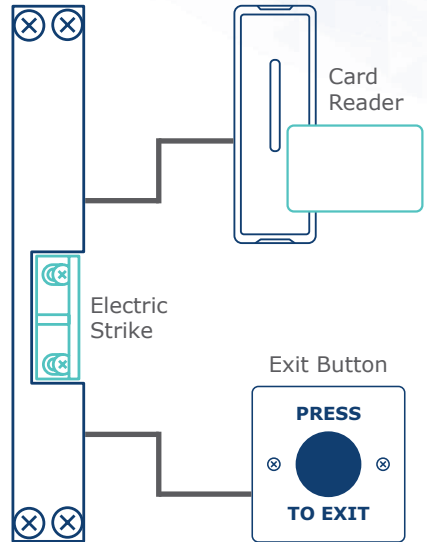
Electric strikes consist of a powered latch and a faceplate. They remain locked until the strike is activated and the latch is released, allowing the door to open. They are cost-effective and durable locks.

How it works

Electric strikes are fitted into the door frame to catch the latch or bolt from the door.

They are usually wired into a card reader or other access control validation method on one side of the door, and an exit button or device on the other. This ensures that the strike only releases the latch and unlocks the door when an authorised person requests access.

Strikes come in both **fail safe** and **fail secure** models.



Where to use it

Electric strikes are a popular locking solution that is easy to install and cost-effective. Strikes can be used in a range of contexts:

Single-door entrances where the strike and its wiring are fitted into the door frame.

Release lock solutions in combination with automatic door openers such as DIGIWAY.

Emergency exits requiring a fail safe lock that allows free egress in an emergency situation.



Locking Solutions

GISIP Series

- High security safety strikes
- Fail safe locking
- Holding force 750kg
- Right- or left-handed
- Adjustable jaw
- Built-in MOV



WR Series

- Weather and dustproof
- Fail secure locking
- Holding force 400kg
- Right- or left-handed
- Manual hold-open function
- IP65 rated



PR Series

- Mini compact strikes
- Fail safe or fail secure
- Holding force 330kg
- Non-handed
- Adjustable jaw
- Monitored models



GPCF Series

- Symmetrical strikes
- Fail safe or fail secure
- Holding force 1000kg
- Fire rated models
- Continuous current models
- Comes with faceplate



G Series

- Strike locking kits
- Fail safe or fail secure
- Holding force 300kg
- Fixed or adjustable jaw
- Built-in MOV
- Mortice & rim plates



S Series

- Symmetrical strikes
- Fail safe or fail secure
- Holding force 280kg
- Adjustable jaw
- Monitored mode
- Comes with faceplate



ARU-M Series

- ANSI-style strikes
- Fail safe/secure switchable
- Holding force 750kg
- Monitored locking
- Takes extension lips
- Comes with faceplate



DBR Series

- Deadbolt releases
- Fail safe or fail secure
- Holding force 900kg
- Non-handed
- Monitored locking
- Stainless steel jaw



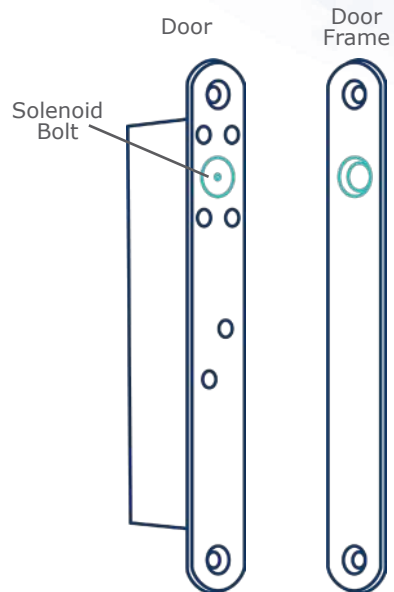
Electric Locks

Electric locks consist of a small motor which is activated by an electrical impulse. They use solenoid bolts, self-aligning shearlocks, double action locks, or motorised deadbolts to secure the door.

How it works

Electric locks replace traditional key-activated locks. A small motor inside the lock controls a latch or bolt that sits across the gap between the door and the door frame to secure the door. When activated, the electrical impulse powers the motor, which moves the latch or bolt and either locks or unlocks the door.

Electric locks can be **fail safe** or **fail secure**, depending on whether they lock or unlock when power is applied and removed.



Where to use it

Electric locks are flexible for a wide variety of security contexts, including single and double doors as well as sliding doors.

Solenoid bolts can often be an ideal solution where other electric locks are not practical

Some electric locks are fail safe and fire rated and can therefore be used on fire doors

Some are IP rated for external use, meaning they can be used reliably in outdoor settings



Locking Solutions

DX/DY Solenoid Bolts

- Quick and easy to install
- Fail secure locking
- Monitored locking
- Saw-proof roller bolt
- DY Series accredited by the Rabbinical Court of Paris
- 22, 32, or 50mm backset
- IP54 rated



POWERMAG Shearlock

- Narrow style shearlock
- Holding force 800kg
- Fail safe locking
- Monitored locking
- Flush mount with surface housing available
- Electronic protection from built-in MOV



CSL30 Shearlock

- Self-aligning shearlock
- Holding force 1500kg
- Fail safe locking
- Monitored locking
- Flush mount with surface housing available
- Electronic protection from built-in MOV



SHL1200 Shearlock

- Traditional shearlock
- Holding force 1200kg
- Fail safe locking
- Monitored locking
- Flush mount with surface housing available
- Electronic protection from built-in MOV



ML350 Series

- Compact electric lock
- Holding force 650kg
- Fail safe locking
- Fire rated under EN14846
- Operates under side load
- Robust construction
- Lock and door status



MV Series

- Motorised deadbolts
- Non-handed
- Audible signal for error
- Includes cylinder and keys
- Ideal for doors and gates
- Manual override option
- IP57 rated



Locking Glossary

Holding Force

Holding force is a measure of the strength of a lock. Measured in kilograms or pounds, holding force indicates the amount of weight that would be required to break the lock.

Monitored Lock

Locks which are **monitored** are equipped with sensors which indicate the status of the lock. Monitoring allows for remote tracking and accurate reporting of lock status.

Surface/ Mortice

Surface locks are mounted on top of the existing physical infrastructure such as doors and door frames. **Mortice** locks are mounted embedded into the door or frame.

Single/ Double

Single maglocks consist of just one powered magnet. Meanwhile, **double** maglocks have two powered magnets in the same housing, doubling the holding force of the lock.

Fire Rated

Fire rating is a certification given to locks which can withstand fire for certain periods of time. In the UK, EN1634-1 and EN14846 are the most common fire rating regulations.

Side Load

Side load or **pre-load** is the force exerted on the keeper of a lock by an external force pushing on the door. Many locks cannot operate under side load.

Locking Glossary

Continuous Current

Continuous or **constant current** is an electronic current running in one direction only, and is a steady rather than pulsating current.

Metal Oxide Varistor

Locks equipped with a **Metal Oxide Varistor** (MOV) are protected from surges of voltage. They help to ensure power and locking are consistent and reliable.

Fail Safe/ Fail Secure

Fail safe locks are locked when power is applied, and unlocked when power drops. **Fail secure** locks are locked by default, and power is applied in order to unlock them.

Adjustable/ Fixed Jaw

Locks with an **adjustable jaw** can adapt slightly for doors which have a tendency to expand or contract. **Fixed jaw** means the lock cannot be adjusted in this way.

IP Rating

IP rating measures ingress protection. The first digit is from 0-6 and measures protection against solids. The second digit is from 0-8 and measures protection against water.

IK Rating

IK rating measures protection against mechanical impact. The scale goes from 1-10, with 10 the highest rating and protecting against 20 joules of mechanical impact.



CDVI

Security to Access

Also available from CDVI:



**Universal
Door
Automation**



**Powerful
Video
Entry**



**Intelligent
Biometric
Technology**



**Innovative
Access
Control**

CDVI Ltd

Unit B1, Knaves Beech Business Centre

Davies Way

Loudwater, High Wycombe

HP10 9QR

+ [44] (0) 1628 531 300

sales@cdvi.co.uk

www.cdvi.co.uk

Every effort is made to ensure all information in this document is correct at the time of publication, but it is offered without any guarantee and/or liability for completeness or correctness. Any information or images could be perceptibly different and we reserve the right to adjust, remove, or replace information or images without prior notice.

Publication Date: 28 April 2021