

# VALVE COLLECTION



TRV Valves

Manual Valves

Elements

Accessories

 **VITOW**<sup>™</sup>

# WELCOME



## VITOW™ VALVE COLLECTION

At Mark Vitow Ltd we have always been committed to providing first-class products that meet the highest standards of quality, innovation, and customer satisfaction. Our new range of VITOW™ radiator valves continues this tradition, offering you and your customers a reliable solution that aligns with the latest trends in the heating industry.

### TRV Valves

A wide range of modern and traditional TRV valves in popular colours and finishes to suit every style of radiator. Each range is offered in straight, angled and corner variants.

### Manual Valves

VITOW™ range of manual valves offered in straight, angled and corner variants. Also available in round, square and crosshead valves. Supplied in pairs throughout.



### Electric Elements

Standard electric elements are available in 150w, 300w and 600w. Our Smart Thermostatic range combines high quality manufacturing with temperature control and is an ever more popular choice with end users.

### Accessories

Pipe sets, Plug Sets, T-Pieces and Element Cable Shrouds are available in several finishes and colours to compliment any style of radiator installation. Auto Air Vents and Shut-Off Valves are also now available.

### Dual Fuel Valves

A huge leap in both design and shape being able to offer our Manual and TRV Dual fuel valves convert existing central heating towel radiators to dual fuel, without modifying pipe work and pipe centres.

### Traditional Radiators

VITOW™ traditional towel radiators are available in two widths. A stunning addition to any bathroom decorated and fitted out in a classic style. Chrome plated with a stunning central white radiator section perfectly complements this style of bathroom which is so popular today. We have a central heating option and electric / dual fuel option.

To order contact Mark Vitow Sales at **020 8207 3784** or email [sales@markvitow.com](mailto:sales@markvitow.com).

# CONTENTS

Page 4



**WHAT'S NEW**

Page 6



**MODERN TRV  
& LOCKSHIELD SETS**

Page 10



**ORNATE TRV  
& LOCKSHIELD SETS**

Page 13



**MANUAL VALVES**

Page 17



**MANUAL  
DUAL FUEL VALVES**

Page 18



**TRV  
DUAL FUEL VALVES**

Page 19



**H-BLOCK  
TWIN VALVES &  
ELEMENT SHROUDS**

Page 20



**18MM PIPE SLEEVES  
& RETROFIT SLEEVES**

Page 22



**MANUAL AIR VENT  
& PLUG SETS**

Page 23



**T-PIECES  
& AUTO VENTS**

Page 24



**STANDARD  
& DIGITAL ELEMENTS**

Page 26



**TRADITIONAL  
RADIATORS**

# WHAT'S NEW

## SHUT-OFF VALVES

These highly innovative patented products are ready to use for the times when you need to service your heating system or remove a radiator for re-decoration or remodelling purposes.

A QR code comes with every pair and can be applied to the radiator or the valves themselves which will advise the plumber that the heating system doesn't need to be drained down and the radiator can be removed easily without the normal water spillage.

Sets are available for manual and TRV valves.



**SHUT-OFF VALVE  
MANUAL**

Product Code: MV0301  
RRP £15.38 inc. VAT



**SHUT-OFF VALVE  
TRV**

Product Code: MV0300  
RRP £15.38 inc. VAT

## AUTO AIR VENT

The Auto Air Vent is for use when a towel rail is being converted to electric only. Pressure release is over 3 bar and ensures the rail is safe to use as excess pressure will vent automatically.

SEE PAGE 23



**AUTO VENT**

Product Code: MV0350  
RRP £15.38 inc. VAT

## AIR VENT & PLUG SETS

1/2" BSP Thread. Coordinate your Air Vents and Blanking Plugs with your radiator and valve set to create the perfect neat finish. Sold as individual sets in 14 finishes.

SEE PAGE 22



# TRV H-BLOCK TWIN VALVES

H-Block radiator valves are simply H-shaped valves with a double connection to join the pipes and valve inlets on middle connection radiators.

SEE PAGE 19



# CHELSEA BLACK HANDLES

Our Chelsea valves are now available with a black handle option pack, made of a durable and attractive composite.

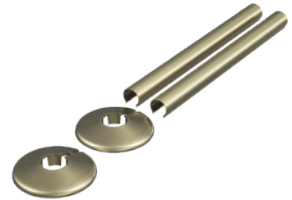
SEE PAGE 11



# 200MM RETROFIT SLEEVES

Radiator Pipe Covers are the perfect way to finish off your radiator or towel rail installation and give your heating setup a final touch of elegance. We have a new range of 200mm sleeves available.

SEE PAGE 21



# NEW FINISHES

We have introduced two new finishes across our range. Our **Brushed Gun Metal** and **Brushed Bronze** finishes reflect the growing popularity of these colours with consumers. You can find them in the following ranges:

## VALVES

Modern TRV Valves  
Manual Round Valves  
TRV Dual Fuel Valves  
Manual Dual Fuel Valves

## ACCESSORIES

18mm Pipe Sleeves Sets  
Modern Element Shrouds  
Vent and Plug Sets  
Retrofit Pipes and 18mm Sleeves



# NEW COLOURS

TRV & Lockshield Sets are now available in **Chrome and White & Pearl Shine**; in angled, straight and corner versions.

SEE PAGE 7



TRV Chelsea Corner Valves are now available in **Black Nickel**.

SEE PAGE 12



TRV & Lockshield Round valves are now available in **Mocha and Cappuccino**; in straight and corner versions.

SEE PAGE 9



Digital Thermostats are also now available in a **Brushed Brass** finish.

SEE PAGE 25



# TRV & LOCKSHIELD SETS ROUND

We stock a wide range of modern TRV valves in nine popular colours and finishes to suit every style of radiator. Our modern range is offered in straight, angled and corner variants.

In pairs. All prices are RRP including VAT.

BLACK



## TRV ROUND | ANGLED

Product Code: MV0006  
RRP £59.46

BLACK



## TRV ROUND | STRAIGHT

Product Code: MV0007  
RRP £61.62

BLACK



## TRV ROUND | CORNER

Product Code: MV0008  
RRP £63.01

WHITE



## TRV ROUND | ANGLED

Product Code: MV0092  
RRP £59.46

WHITE



## TRV ROUND | STRAIGHT

Product Code: MV0093  
RRP £61.62

WHITE



## TRV ROUND | CORNER

Product Code: MV0094  
RRP £63.01

CHROME



## TRV ROUND | ANGLED

Product Code: MV0000  
RRP £55.15

CHROME



## TRV ROUND | STRAIGHT

Product Code: MV0001  
RRP £56.35

CHROME



## TRV ROUND | CORNER

Product Code: MV0002  
RRP £58.84

CHROME & WHITE



NEW

**TRV ROUND | ANGLED**

Product Code: MV0398  
RRP £40.85

CHROME & WHITE



NEW

**TRV ROUND | STRAIGHT**

Product Code: MV0399  
RRP £42.08

CHROME & WHITE



NEW

**TRV ROUND | CORNER**

Product Code: MV0400  
RRP £49.77

ANTHRACITE



**TRV ROUND | ANGLED**

Product Code: MV0003  
RRP £59.46

ANTHRACITE



**TRV ROUND | STRAIGHT**

Product Code: MV0004  
RRP £61.62

ANTHRACITE



**TRV ROUND | CORNER**

Product Code: MV0005  
RRP £63.01

SATIN BRUSHED NICKEL



**TRV ROUND | ANGLED**

Product Code: MV0095  
RRP £68.71

SATIN BRUSHED NICKEL



**TRV ROUND | STRAIGHT**

Product Code: MV0096  
RRP £68.93

SATIN BRUSHED NICKEL



**TRV ROUND | CORNER**

Product Code: MV0097  
RRP £70.74

RAL 7012



**TRV ROUND | ANGLED**

Product Code: MV0197  
RRP £59.46

RAL 7012



**TRV ROUND | STRAIGHT**

Product Code: MV0199  
RRP £61.62

RAL 7012



**TRV ROUND | CORNER**

Product Code: MV0201  
RRP £63.01

BRUSHED BRASS



**TRV ROUND | ANGLED**

Product Code: MV0198  
RRP £69.73

BRUSHED BRASS



**TRV ROUND | STRAIGHT**

Product Code: MV0200  
RRP £69.96

BRUSHED BRASS



**TRV ROUND | CORNER**

Product Code: MV0202  
RRP £71.77

BRUSHED BRONZE



**TRV ROUND | ANGLED**

Product Code: MV0369  
RRP £69.73

BRUSHED BRONZE



**TRV ROUND | STRAIGHT**

Product Code: MV0371  
RRP £69.96

BRUSHED BRONZE



**TRV ROUND | CORNER**

Product Code: MV0373  
RRP £71.77

BRUSHED GUN METAL



**TRV ROUND | ANGLED**

Product Code: MV0370  
RRP £69.73

BRUSHED GUN METAL



**TRV ROUND | STRAIGHT**

Product Code: MV0372  
RRP £69.96

BRUSHED GUN METAL



**TRV ROUND | CORNER**

Product Code: MV0374  
RRP £71.77

PEARL SHINE



NEW

**TRV ROUND | ANGLED**

Product Code: MV0393  
RRP £59.46

PEARL SHINE



NEW

**TRV ROUND | STRAIGHT**

Product Code: MV0394  
RRP £61.62

PEARL SHINE



NEW

**TRV ROUND | CORNER**

Product Code: MV0395  
RRP £63.01

MOCHA



NEW

**TRV ROUND | STRAIGHT**

Product Code: MV0397  
RRP £61.62

MOCHA



NEW

**TRV ROUND | CORNER**

Product Code: MV03910  
RRP £63.01

CAPPUCCINO



NEW

**TRV ROUND | STRAIGHT**

Product Code: MV0392  
RRP £61.62

CAPPUCCINO



NEW

**TRV ROUND | CORNER**

Product Code: MV0391  
RRP £63.01

# ORNATE TRV & LOCKSHIELD

Our Westminster & Chelsea TRV valves are angled and available in eight popular colours. We also offer a corner version of Chelsea available in Chrome, Satin Nickel & Antique Brass. In pairs. All prices are RRP including VAT.

SEE PAGE 15 FOR MATCHING PIPE SETS

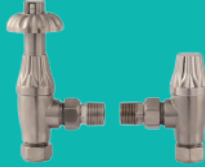
CHROME



## TRV WESTMINSTER ANGLED

Product Code: MV0009  
RRP £91.01

SATIN BRUSHED NICKEL



## TRV WESTMINSTER ANGLED

Product Code: MV0010  
RRP £93.43

ANTIQUE BRASS



## TRV WESTMINSTER ANGLED

Product Code: MV0011  
RRP £91.04

ANTIQUE COPPER



## TRV WESTMINSTER ANGLED

Product Code: MV0012  
RRP £103.97

BLACK NICKEL



## TRV WESTMINSTER ANGLED

Product Code: MV0013  
RRP £103.97

BRUSHED BRASS



## TRV WESTMINSTER ANGLED

Product Code: MV0014  
RRP £103.97

POLISHED BRASS



## TRV WESTMINSTER | ANGLED

Product Code: MV0015  
RRP £103.97

PEWTER



## TRV WESTMINSTER | ANGLED

Product Code: MV0016  
RRP £113.01

CHROME



**TRV CHELSEA | ANGLED**

Product Code: MV0017  
RRP £91.04

SATIN BRUSHED NICKEL



**TRV CHELSEA | ANGLED**

Product Code: MV0018  
RRP £93.43

ANTIQUÉ BRASS



**TRV CHELSEA | ANGLED**

Product Code: MV0019  
RRP £91.04

ANTIQUÉ COPPER



**TRV CHELSEA | ANGLED**

Product Code: MV0020  
RRP £103.97

BLACK NICKEL



**TRV CHELSEA | ANGLED**

Product Code: MV0021  
RRP £103.97

POLISHED BRASS



**TRV CHELSEA | ANGLED**

Product Code: MV0023  
RRP £103.97

PEWTER



**TRV CHELSEA | ANGLED**

Product Code: MV0024  
RRP £113.01

BRUSHED BRASS



**TRV CHELSEA | ANGLED**

Product Code: MV0022  
RRP £103.97

**CHELSEA BLACK HANDLES**

CHROME	MV6917	£15.38
SATIN NICKEL	MV6918	£15.38
ANTIQUÉ BRASS	MV6919	£15.38
ANTIQUÉ COPPER	MV6920	£15.38

BLACK NICKEL	MV6921	£15.38
BRUSHED BRASS	MV6922	£15.38
POLISHED BRASS	MV6923	£15.38
PEWTER	MV6924	£15.38



All prices RRP

## CORNER VALVES

CHROME



### TRV CHELSEA | CORNER

Product Code: MV0083  
RRP £104.78

SATIN BRUSHED NICKEL



### TRV CHELSEA | CORNER

Product Code: MV0084  
RRP £107.99

ANTIQUE BRASS



### TRV CHELSEA | CORNER

Product Code: MV0085  
RRP £108.01

BLACK NICKEL



### TRV CHELSEA | CORNER

Product Code: MV0283  
RRP £129.04

# MANUAL VALVES

**ROUND**

Our range of manual valves are available in round or square variants and a selection of crosshead valves.

In pairs. All prices are RRP including VAT.

SEE PAGE 16 AND 17 FOR SQUARE AND CROSSHEAD

BLACK



**MANUAL | ANGLED**

Product Code: MV0039  
RRP £32.82

BLACK



**MANUAL | STRAIGHT**

Product Code: MV0041  
RRP £32.82

BLACK



**MANUAL | CORNER**

Product Code: MV0040  
RRP £45.28

WHITE



**MANUAL | ANGLED**

Product Code: MV0086  
RRP£32.82

WHITE



**MANUAL | STRAIGHT**

Product Code: MV0088  
RRP £32.82

WHITE



**MANUAL | CORNER**

Product Code: MV0087  
RRP £45.28

CHROME



**MANUAL | ANGLED**

Product Code: MV0025  
RRP £24.20

CHROME



**MANUAL | STRAIGHT**

Product Code: MV0027  
RRP £24.20

CHROME



**MANUAL | CORNER**

Product Code: MV0026  
RRP £45.62

**ROUND**

ANTHRACITE



**MANUAL | ANGLED**

Product Code: MV0031  
RRP £32.82

ANTHRACITE



**MANUAL | STRAIGHT**

Product Code: MV0033  
RRP £32.82

ANTHRACITE



**MANUAL | CORNER**

Product Code: MV0032  
RRP £45.28

SATIN BRUSHED NICKEL



**MANUAL | ANGLED**

Product Code: MV0089  
RRP £37.29

SATIN BRUSHED NICKEL



**MANUAL | STRAIGHT**

Product Code: MV0091  
RRP 38.78

SATIN BRUSHED NICKEL



**MANUAL | CORNER**

Product Code: MV0090  
RRP £50.85

RAL 7012



**MANUAL | ANGLED**

Product Code: MV0203  
RRP £32.82

RAL 7012



**MANUAL | STRAIGHT**

Product Code: MV0207  
RRP £32.82

RAL 7012



**MANUAL | CORNER**

Product Code: MV0205  
RRP £45.28

BRUSHED BRASS



**MANUAL | ANGLED**

Product Code: MV0204  
RRP £38.32

BRUSHED BRASS



**MANUAL | STRAIGHT**

Product Code: MV0208  
RRP £39.81

BRUSHED BRASS



**MANUAL | CORNER**

Product Code: MV0206  
RRP £50.85

BRUSHED BRONZE



**MANUAL | ANGLED**

Product Code: MV0363  
RRP £38.32

BRUSHED BRONZE



**MANUAL | STRAIGHT**

Product Code: MV0365  
RRP £39.81

BRUSHED BRONZE



**MANUAL | CORNER**

Product Code: MV0367  
RRP £50.85

BRUSHED GUN METAL



**MANUAL | ANGLED**

Product Code: MV0364  
RRP £38.32

BRUSHED GUN METAL



**MANUAL | STRAIGHT**

Product Code: MV0366  
RRP £39.81

BRUSHED GUN METAL



**MANUAL | CORNER**

Product Code: MV0368  
RRP £50.85

MOCHA

NEW



**MANUAL | STRAIGHT**

Product Code: MV0305  
RRP £32.82

MOCHA

NEW



**MANUAL | STRAIGHT**

Product Code: MV0304  
RRP £45.28

CAPPUCCINO

NEW



**MANUAL | STRAIGHT**

Product Code: MV0303  
RRP £32.82

CAPPUCCINO

NEW



**MANUAL | STRAIGHT**

Product Code: MV0302  
RRP £45.28

## SQUARE

BLACK



### MANUAL | ANGLED

Product Code: MV0042  
RRP £47.24

BLACK



### MANUAL | STRAIGHT

Product Code: MV0044  
RRP £47.46

BLACK



### MANUAL | CORNER

Product Code: MV0043  
RRP £61.75

CHROME



### MANUAL | ANGLED

Product Code: MV0028  
RRP £49.29

CHROME



### MANUAL | STRAIGHT

Product Code: MV0030  
RRP £49.51

CHROME



### MANUAL | CORNER

Product Code: MV0029  
RRP £61.75

ANTHRACITE



### MANUAL | ANGLED

Product Code: MV0034  
RRP £42.45

ANTHRACITE



### MANUAL | STRAIGHT

Product Code: MV0036  
RRP £42.45

ANTHRACITE



### MANUAL | CORNER

Product Code: MV0035  
RRP £58.22

RAL 7012



### MANUAL | ANGLED

Product Code: MV0224  
RRP £47.24

RAL 7012



### MANUAL | STRAIGHT

Product Code: MV0223  
RRP £45.42

RAL 7012



### MANUAL | CORNER

Product Code: MV0225  
RRP £61.76

WHITE



### MANUAL | ANGLED

Product Code: MV0161  
RRP £48.26

WHITE



### MANUAL | STRAIGHT

Product Code: MV0160  
RRP £48.49

WHITE



### MANUAL | CORNER

Product Code: MV0255  
RRP £61.75

**CROSSHEAD**

CHROME



**MANUAL ROUND ANGLED CROSSHEAD**

Product Code: MV0037  
RRP £45.52

CHROME



**MANUAL ROUND STRAIGHT CROSSHEAD**

Product Code: MV0038  
RRP £45.52

BRUSHED BRASS



**MANUAL ROUND ANGLED CROSSHEAD**

Product Code: MV0256  
RRP £59.45

# MANUAL DUAL FUEL VALVES

Our range of manual dual fuel valves are available in variety of finishes including black, chrome, brushed brass and anthracite.

In pairs. All prices are RRP including VAT.

BLACK



**DUAL FUEL | ROUND CORNER**

Product Code: MV0250  
RRP £71.75

WHITE



**DUAL FUEL | ROUND CORNER**

Product Code: MV0152  
RRP £71.75

CHROME



**DUAL FUEL | ROUND CORNER**

Product Code: MV0052  
RRP £71.75

ANTHRACITE



**DUAL FUEL | ROUND CORNER**

Product Code: MV0189  
RRP £71.75

SATIN BRUSHED NICKEL



**DUAL FUEL | ROUND CORNER**

Product Code: MV0385  
RRP £71.75

RAL 7012



**DUAL FUEL | ROUND CORNER**

Product Code: MV0253  
RRP £71.75

BRUSHED BRASS



**DUAL FUEL | ROUND CORNER**

Product Code: MV0190  
RRP £76.88

BRUSHED BRONZE



**DUAL FUEL | ROUND CORNER**

Product Code: MV0379  
RRP £76.88

BRUSHED GUN METAL



**DUAL FUEL | ROUND CORNER**

Product Code: MV0380  
RRP £76.88

# DUAL FUEL VALVES

Our range of dual fuel valves are available in variety of finishes including black, chrome, brushed brass and anthracite.

In pairs. All prices are RRP including VAT.

BLACK



**TRV DUAL FUEL  
ROUND | CORNER**

Product Code: MV0193

RRP £93.31

WHITE



**TRV DUAL FUEL  
ROUND | CORNER**

Product Code: MV0226

RRP £96.31

CHROME



**TRV DUAL FUEL  
ROUND | CORNER**

Product Code: MV0100

RRP £83.62

ANTHRACITE



**TRV DUAL FUEL  
ROUND | CORNER**

Product Code: MV0195

RRP £96.31

SATIN BRUSHED NICKEL



**TRV DUAL FUEL  
ROUND | CORNER**

Product Code: MV0150

RRP £96.31

RAL 7012



**TRV DUAL FUEL  
ROUND | CORNER**

Product Code: MV0194

RRP 103.97

BRUSHED BRASS



**TRV DUAL FUEL  
ROUND | CORNER**

Product Code: MV0196

RRP £96.31

BRUSHED BRONZE



**TRV DUAL FUEL  
ROUND | CORNER**

Product Code: MV0381

RRP £96.31

BRUSHED GUN METAL



**TRV DUAL FUEL  
ROUND | CORNER**

Product Code: MV0382

RRP £96.31

# MANUAL VALVES

H-Block radiator valves are important to install radiators that require a double connection for pipes that are close together. 50mm centres.

All prices are RRP including VAT.

CHROME

NEW



**TRV | H-BLOCK | STRAIGHT**

Product Code: MV0432  
RRP £86.67

CHROME

NEW



**TRV | H-BLOCK | ANGLED**

Product Code: MV0433  
RRP £83.25

# ELEMENT SHROUDS

Colour-matching shrouds that neatly fit over the element head and cable creating a tidy, finished look to the radiator. Available in eight finishes, these covers provide a luxury touch.

List prices are RRP inclusive of VAT.

BLACK



**ELEMENT SHROUD**

Product Code: MV0219  
RRP £58.52

WHITE



**ELEMENT SHROUD**

Product Code: MV0218  
RRP £62.62

CHROME



**ELEMENT SHROUD**

Product Code: MV0191  
RRP £57.50

ANTHRACITE



**ELEMENT SHROUD**

Product Code: MV0220  
RRP £58.52

RAL 7012



**ELEMENT SHROUD**

Product Code: MV0221  
RRP £60.57

BRUSHED BRASS



**ELEMENT SHROUD**

Product Code: MV0192  
RRP £61.60

BRUSHED BRONZE



**ELEMENT SHROUD**

Product Code: MV0377  
RRP £62.62

BRUSHED GUN METAL



**ELEMENT SHROUD**

Product Code: MV0378  
RRP £62.62

# 18MM PIPE SLEEVES

130mm pipe and shroud kits in matching finishes. Our 18mm Pipe Sleeve Sets shown below contain 2x 18mm x 130mm pipes and 2 shrouds to provide a professional finish to both valves and radiators, giving the complete finish.

All prices are RRP including VAT.

BLACK



## PIPE SLEEVES

18 x 130mm  
Code: MV0234  
RRP £26.35

WHITE



## PIPE SLEEVES

18 x 130mm  
Code: MV0241  
RRP £26.35

CHROME



## PIPE SLEEVES

18 x 130mm  
Code: MV0249  
RRP £23.28

CHROME



## PIPE SLEEVES

18 x 300mm  
Code: MV0233  
RRP £30.63

ANTHRACITE



## PIPE SLEEVES

18 x 130mm  
Code: MV0252  
RRP £26.35

SATIN BRUSHED NICKEL



## PIPE SLEEVES

18 x 130mm  
Code: MV0238  
RRP £35.66

RAL 7012



## PIPE SLEEVES

18 x 130mm  
Code: MV0248  
RRP £26.35

BRUSHED BRASS



## PIPE SLEEVES

18 x 130mm  
Code: MV0243  
RRP £35.66

BRUSHED BRONZE



## PIPE SLEEVES

18 x 130mm  
Code: MV0375  
RRP £35.66

BRUSHED GUN METAL



## PIPE SLEEVES

18 x 130mm  
Code: MV0376  
RRP £35.66

ANTIQUE BRASS



## PIPE SLEEVES

18 x 130mm  
Code: MV0235  
RRP £35.66

POLISHED BRASS



## PIPE SLEEVES

18 x 130mm  
Code: MV0240  
RRP £35.66

ANTIQUE COPPER



## PIPE SLEEVES

18 x 130mm  
Code: MV0236  
RRP £35.66

BLACK NICKEL



## PIPE SLEEVES

18 x 130mm  
Code: MV0237  
RRP £35.66

PEWTER



## PIPE SLEEVES

18 x 130mm  
Code: MV0239  
RRP £36.84

# RETROFIT SLEEVES NEW

200mm snap-on pipe covers and collars to suit 15mm pipework giving a matching finish. Made from Alloy Metal apart from White, Black, Anthracite and RAL 7012 which are PVC.

All prices are RRP including VAT.

BLACK



## RETROFIT PIPE SLEEVES

PVC, 18 x 200mm  
Code: MV0413  
RRP £7.73

WHITE



## RETROFIT PIPE SLEEVES

PVC, 18 x 200mm  
Code: MV0424  
RRP £7.73

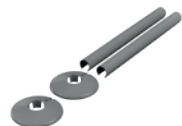
ANTHRACITE



## RETROFIT PIPE SLEEVES

PVC, 18 x 200mm  
Code: MV0425  
RRP £7.73

RAL 7012



## RETROFIT PIPE SLEEVES

PVC, 18 x 200mm  
Code: MV0426  
RRP £7.73

CHROME



## RETROFIT PIPE SLEEVES

Alloy metal,  
18 x 200mm  
Code: MV0415  
RRP £12.89

SATIN BRUSHED NICKEL



## RETROFIT PIPE SLEEVES

Alloy metal,  
18 x 200mm  
Code: MV0414  
RRP £12.89

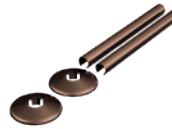
BRUSHED BRASS



## RETROFIT PIPE SLEEVES

Alloy metal,  
18 x 200mm  
Code: MV0416  
RRP £12.89

BRUSHED BRONZE



## RETROFIT PIPE SLEEVES

Alloy metal,  
18 x 200mm  
Code: MV0417  
RRP £12.89

BRUSHED GUN METAL



## RETROFIT PIPE SLEEVES

Alloy metal,  
18 x 200mm  
Code: MV0418  
RRP £12.89

ANTIQUE BRASS



## RETROFIT PIPE SLEEVES

Alloy metal,  
18 x 200mm  
Code: MV0419  
RRP £12.89

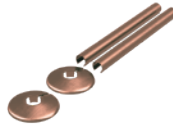
POLISHED BRASS



## RETROFIT PIPE SLEEVES

Alloy metal,  
18 x 200mm  
Code: MV0420  
RRP £12.89

ANTIQUE COPPER



## RETROFIT PIPE SLEEVES

Alloy metal,  
18 x 200mm  
Code: MV0421  
RRP £12.89

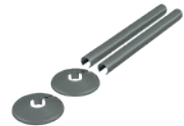
BLACK NICKEL



## RETROFIT PIPE SLEEVES

Alloy metal,  
18 x 200mm  
Code: MV0422  
RRP £12.89

PEWTER



## RETROFIT PIPE SLEEVES

Alloy metal,  
18 x 200mm  
Code: MV0423  
RRP £12.89

# MANUAL AIR VENT & PLUGS

Coordinate your air vents & blanking plugs with your radiator to create the perfect finish.

Sold as individual sets. All prices are RRP including VAT.

BLACK



**AIR VENT & PLUG**

Code: MV0358  
RRP £15.38

WHITE



**AIR VENT & PLUG**

Code: MV0360  
RRP £15.38

CHROME



**AIR VENT & PLUG**

Code: MV0384  
RRP £15.38

ANTHRACITE



**AIR VENT & PLUG**

Code: MV0359  
RRP £15.38

SATIN BRUSHED NICKEL



**AIR VENT & PLUG**

Code: MV0353  
RRP £15.38

RAL 7012



**AIR VENT & PLUG**

Code: MV0362  
RRP £15.38

BRUSHED BRASS



**AIR VENT & PLUG**

Code: MV0357  
RRP £15.38

BRUSHED BRONZE



**AIR VENT & PLUG**

Code: MV0354  
RRP £15.38

BRUSHED GUN METAL



**AIR VENT & PLUG**

Code: MV0383  
RRP £15.38

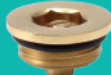
ANTIQU BRASS



**AIR VENT & PLUG**

Code: MV0351  
RRP £15.38

POLISHED BRASS



**AIR VENT & PLUG**

Code: MV0356  
RRP £15.38

ANTIQU COPPER



**AIR VENT & PLUG**

Code: MV0352  
RRP £15.38

BLACK NICKEL



**AIR VENT & PLUG**

Code: MV0361  
RRP £15.38

PEWTER



**AIR VENT & PLUG**

Code: MV0355  
RRP £15.38

# T PIECES

A T Piece enables radiators to become dual fuel meaning they can be heated by the central heating system in the winter and electrically heated with one of our electrical elements in summer when central heating is turned off. Brass construction.

List prices are RRP inclusive of VAT.

BLACK



**T PIECE**

Code: MV0055  
RRP £15.38

WHITE



**T PIECE**

Code: MV0056  
RRP £15.38

CHROME



**T PIECE**

Code: MV0053  
RRP £15.38

ANTHRACITE



**T PIECE**

Code: MV0054  
RRP £15.38

BRUSHED BRASS



**T PIECE**

Code: MV0057  
RRP £15.38

RAL 7012



**T PIECE**

Code: MV0222  
RRP £15.38

SATIN BRUSHED NICKEL



**T PIECE**

Code: MV0228  
RRP £15.38

# AUTO VENT

The Auto Air Vent is for use when a towel rail is being converted to electric only. Pressure release is over 3 bar and ensures the rail is safe to use as excess pressure will vent automatically.

List prices are RRP inclusive of VAT.



**AUTO VENT**

Code: MV0350  
RRP £15.38



# DIGITAL ELEMENTS

Standard UK Specification electric elements are available in 150w, 300w & 600w variants. Our Smart Thermostatic range combines high quality manufacturing with temperature flexibility and is becoming an ever more popular choice with end users.

T Pieces **not** included. [SEE PAGE 23 FOR OUR T PIECE OPTIONS](#)

All prices are RRP including VAT.

## ELEMENTS | FIXED TEMPERATURE

Standard UK Specification cation heating elements to convert new or existing towel radiators to electric or dual fuel installations. Our selection of power outputs cover most sizes of towel rails. T-Pieces **not** included.



### UK ELECTRIC ELEMENT

150w  
Product Code: MV0071  
RRP £60.23

### UK ELECTRIC ELEMENT

300w  
Product Code: MV0072  
RRP £62.63

### UK ELECTRIC ELEMENT

600w  
Product Code: MV0073  
RRP £67.41

## DIGITAL THERMOSTAT

### Functionality

The heater offers five temperature settings from 30 °C to 65 °C. An electronic temperature sensor ensures precise temperature control. The device displays the temperature to which it is currently set, and indicates the status of the heating cycle. Comes with 2 hour boost, 12/24 hour recurring timer.

### Safety

The heater has an active safety feature which initiates in the event of dry radiator operation. The heating element is equipped with a temperature sensor and thermal fuse (double overheating protection) and offers frost protection (ANTIFREEZE).

The heater will display warning indicators in the case of malfunction.



**NEW**

BRUSHED BRASS

#### ELEMENT 300W

Product Code: MV0285  
RRP £174.85

#### ELEMENT 600W

Product Code: MV0287  
RRP £175.88

CHROME

#### ELEMENT 300W

Product Code: MV0075  
RRP £169.03

#### ELEMENT 600W

Product Code: MV0076  
RRP £173.83

#### ELEMENT 1000W

Product Code: MV0000  
RRP £189.00

BLACK/DARK ANTHRACITE

#### ELEMENT 300W

Product Code: MV0112  
RRP £169.03

#### ELEMENT 600W

Product Code: MV0113  
RRP £173.83

RAL 7012

#### ELEMENT 300W

Product Code: MV0229  
RRP £169.03

#### ELEMENT 600W

Product Code: MV0230  
RRP £173.83

WHITE

#### ELEMENT 300W

Product Code: MV6078  
RRP £169.03

#### ELEMENT 600W

Product Code: MV6079  
RRP £173.83



# TRADITIONAL RADIATORS

Traditional towel radiators available in three sizes. Mild steel, chrome plated with a central white radiator. Columbine is available in central heating and electric / dual fuel options, Dorset is in dual fuel and Leo in central heating only.

All prices are RRP including VAT. Delivery within 2-4 days.

CHROME & WHITE RAL 9016



## LEO CENTRAL HEATING

965(L) mm x 540(W)mm  
Rail Protrusion: 230 mm  
Output: 555W | 1894 BTU/hr  
Outputs based on  $\Delta t60^{\circ}\text{C}$

Product Code: MV0070  
RRP £583.13

CHROME & WHITE RAL 9016



## DORSET DUAL FUEL

1510(L) mm x 510(W)mm  
Rail Protrusion: 235 mm  
Output: 723W | 2466 BTU/hr  
Outputs based on  $\Delta t60^{\circ}\text{C}$

Product Code: MV0927  
RRP £716.48

CHROME & WHITE RAL 9016



## COLUMBINE CENTRAL HEATING/DUAL FUEL

963(L) mm x 673(W)mm  
Rail Protrusion: 230 mm  
Output: 1032W | 3521 BTU/hr  
Outputs based on  $\Delta t60^{\circ}\text{C}$

CENTRAL HEATING	DUAL FUEL
Product Code: MV0068	Product Code: MV0069
RRP £581.18	RRP £662.97

## MATCHING ACCESSORIES



### MANUAL ROUND STRAIGHT CROSSHEAD

Product Code: MV0038  
RRP £45.52



### MANUAL ROUND ANGLED CROSSHEAD

Product Code: MV0037  
RRP £45.52

## BRUSHED BRASS



### MANUAL ROUND ANGLED CROSSHEAD

Product Code: MV0256  
RRP £59.45



### CABLE SHROUD

Product Code: MV0058  
RRP £57.50

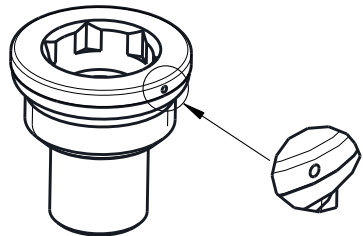
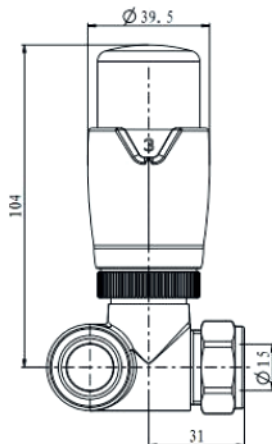
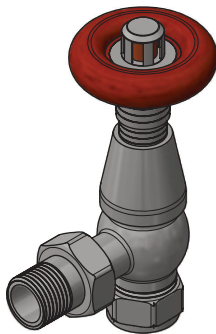


# TECHNICAL INFORMATION

All valves are air tested in water at time of production and have a 5 year warranty from manufacturing defects. All elements have a 2 year warranty from manufacturing defects.

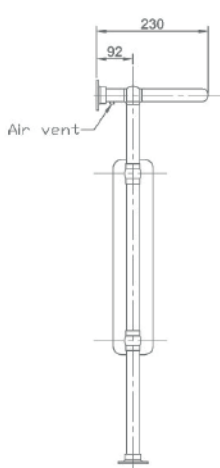
We retain the right to be able to replace a product but cannot be held liable for any installation costs or damage therein.

<a href="#">Traditional Radiators - Leo</a>	<a href="#">PAGE 29</a>	<a href="#">Auto Air Vent</a>	<a href="#">PAGE 38</a>
<a href="#">Traditional Radiators - Dorset</a>	<a href="#">PAGE 29</a>	<a href="#">Shut-Off Valves</a>	<a href="#">PAGE 39</a>
<a href="#">Traditional Radiators - Columbine</a>	<a href="#">PAGE 30</a>	<a href="#">Manual Air Vent and Plug</a>	<a href="#">PAGE 39</a>
<a href="#">Thermostatic Valves</a>	<a href="#">PAGE 32</a>	<a href="#">H-Block TRV Valves</a>	<a href="#">PAGE 40</a>
<a href="#">Manual Valves</a>	<a href="#">PAGE 35</a>	<a href="#">Pipe Sets</a>	<a href="#">PAGE 41</a>
<a href="#">Dual Fuel Corner Valves</a>	<a href="#">PAGE 37</a>	<a href="#">Pipe Sets</a>	<a href="#">PAGE 42</a>

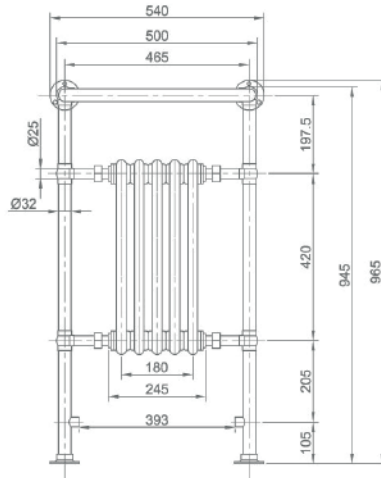


# TRADITIONAL RADIATORS

## Leo Central Heating



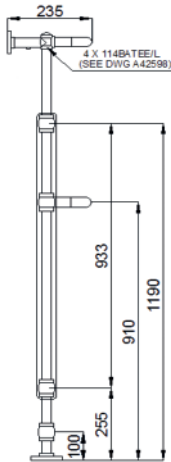
963(L) mm x 673(W)mm  
Rail Protrusion: 230 mm



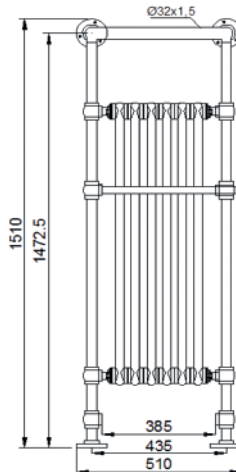
Output: 1032W | 3521BTU/hr  
Outputs based on  $\Delta t60^{\circ}\text{C}$

Colour: Chrome and White RAL  
9016

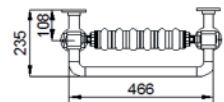
## Dorset Dual Fuel



1510(L) mm x 510(W)mm  
Rail Protrusion: 235 mm

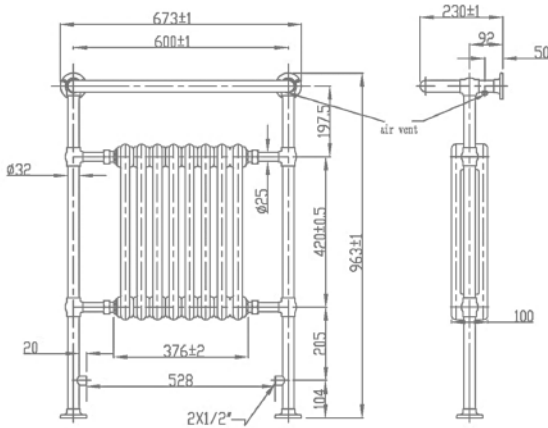


Output: 723W | 2466 BTU/hr  
Outputs based on  $\Delta t60^{\circ}\text{C}$



Colour: Chrome and  
White RAL 9016

# Columbine Central Heating

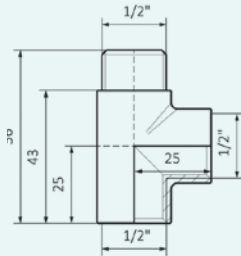


965(L) mm x 540(W)mm  
Rail Protrusion: 230 mm

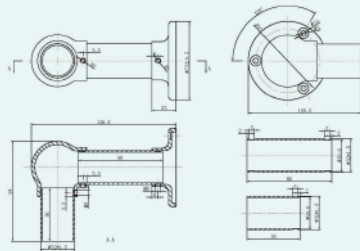
Output: 555W | 1894BTU/hr  
Outputs based on  $\Delta t$ 60°C

Colour: Chrome and White RAL  
9016

## T-PIECE



## CHROME ELEMENT SHROUD



For Columbine Dual Fuel: A neat matching fixed temperature heating element shroud that fits over the element head and cable creating superb, tidy finished look to the radiator installation.

## Columbine Dual Fuel

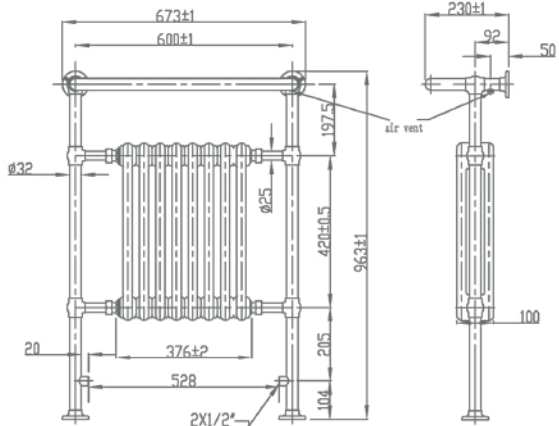
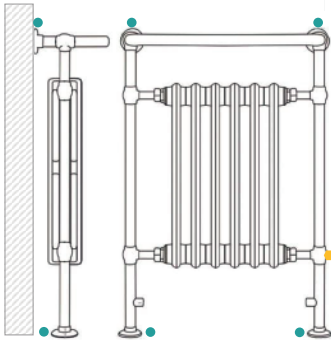
965(L) mm x 540(W)mm

Rail Protrusion: 230 mm

Output: Dependant on element used

Colour: Chrome and White RAL 9016

- Features a discreet removable element nut for easy conversion to electric or dual fuel operation.



- Flange position on all models
- Removable nut location on dual fuel / electric models for element insertion.

We provide a 10-year guarantee against faulty workmanship or materials (excluding serviceable parts) providing they have been installed, cared for and used in accordance with our instructions:

1. Remove radiator and fixing kit from box.
2. Fix the top flanges to the radiator and secure with grub screw located underneath the rail (if supplied, flanges are loose in the box).
3. Offer the radiator up to the wall in the required place. Note: The radiator must be fitted against a flat wall and floor.
4. Mark out the hole positions for the screws on the wall and floor. There are 3 holes in each flange, or one brass fixing peg (these come fitted into flanges on some models).
5. Drill holes in the wall and floor to suit the rawl plugs provided.
6. Fit the rawl plugs into the wall.
7. Remove the top flanges from the radiator by means of the grub screw underneath the rail (only applies to radiators with removable flanges).
8. Screw the top flanges to the wall in the correct position (alternatively, screw the fixing pegs to the wall and floor).
9. Push the radiator back into the flanges and tighten the grub screws (or push over fixing pegs).
10. Screw the radiator to the floor through the bottom flanges (or tighten grub screws onto fixing pegs).
11. Hudson Reed radiator valves (not supplied) need to have a substantial length of PTFE tape wrapped around the thread, and then be screwed into the radiator inlets (this is to create an adequate water seal as per good plumbing practice).
12. Ensure that the inlets on the valves are pointing down towards the floor.
13. The copper inlet pipes are fed into the valves through the floor and are secured to the valves by lightening the nut up (the copper olive will make a watertight seal).
14. Check for leaks.

# THERMOSTATIC VALVES

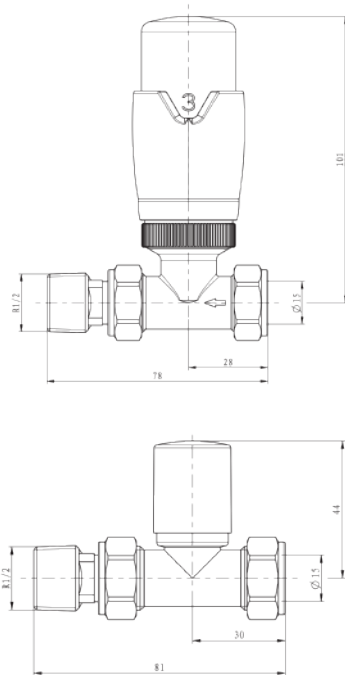
Thermostatic valves are typically used for regulating the fluid of the radiators of central heating systems. They are provided with a regulating element which automatically controls the opening of the valve to keep the ambient temperature of the room where they are installed constant at the set valve.

The number in the valve corresponds to a specific air temperature. Once you have selected a number, thermostatic valve will maintain the temperature. This prevents unwanted temperature rises and achieves considerable energy saving.

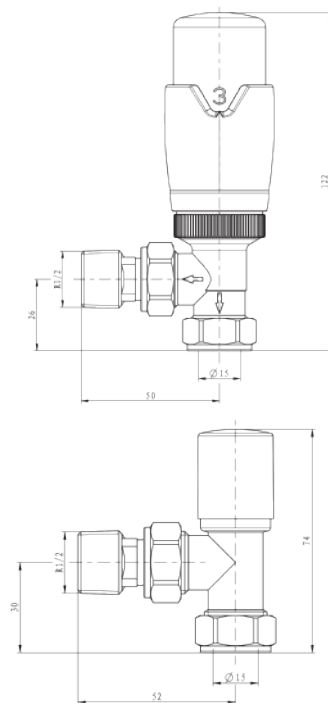
- Thermostatic head and reversible bi-directional body
- Built in sensor with liquid element
- Graduated scale from 0 to 5 corresponding to temperature setting ranges from 7°C to 28°C with frost protection setting (see right)
- Fully tested to 10 bar
- Max pressure difference: 0.8bar
- Nominal flow rate 173kgs/h
- Max flow temperature 120°C
- Can be mounted horizontally or vertically

0	1	2	3	4	5
7°C	11 - 13°C	15 - 17°C	19 - 21°C	23 - 25°C	29 - 29°C

### Straight TRV Valve

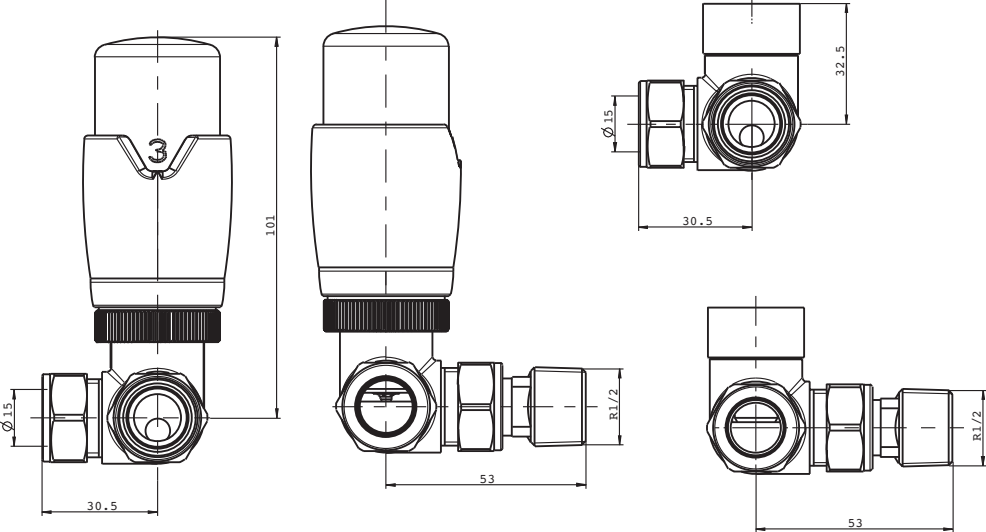


### Angled TRV Valve

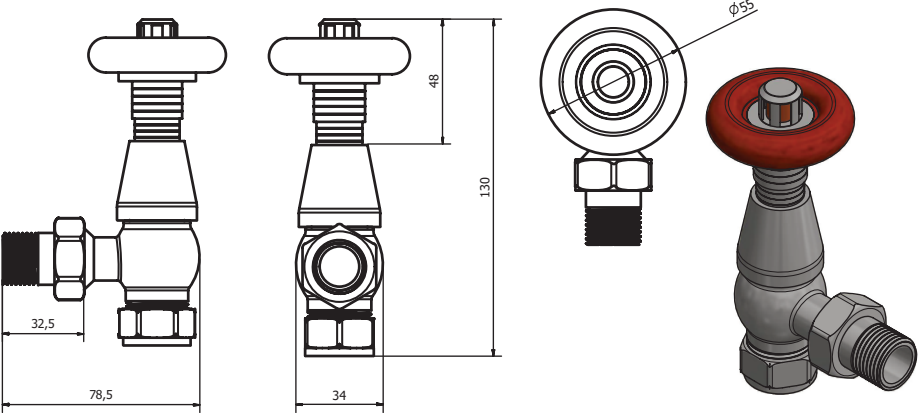


# THERMOSTATIC VALVES

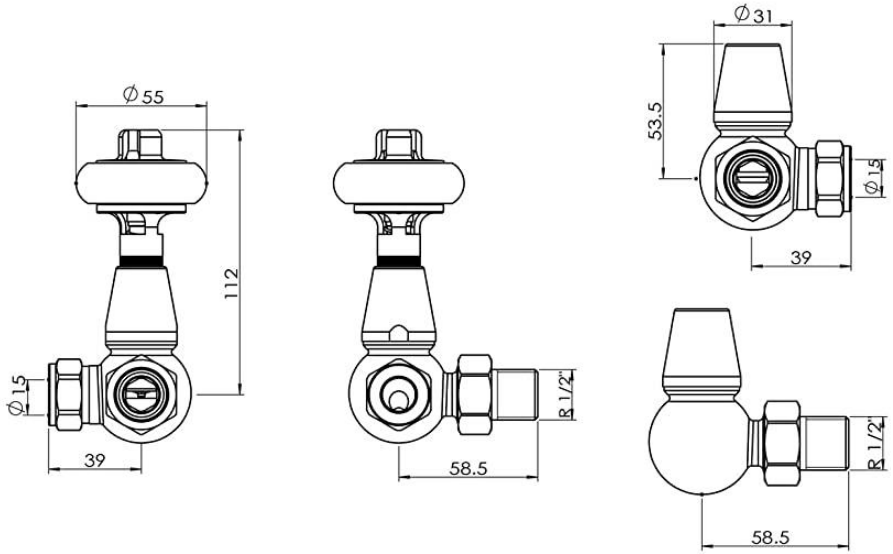
## Corner TRV Valves



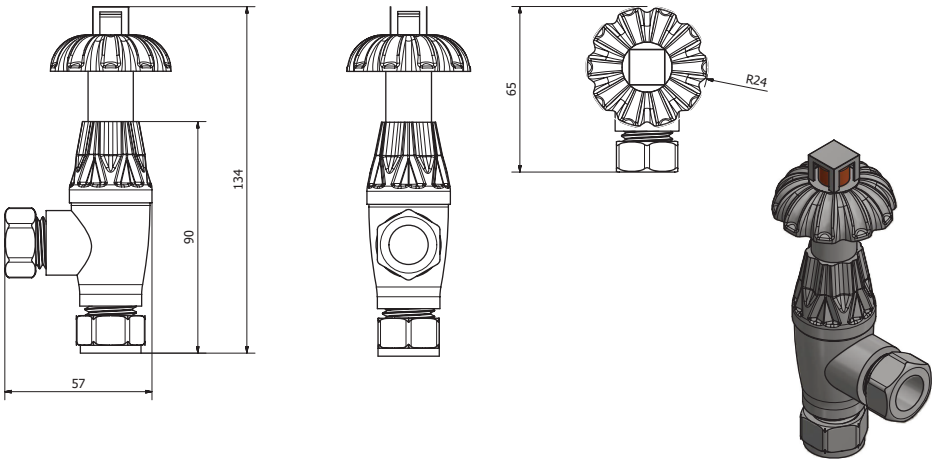
## Chelsea Angled TRV



## Chelsea Corner TRV Valves

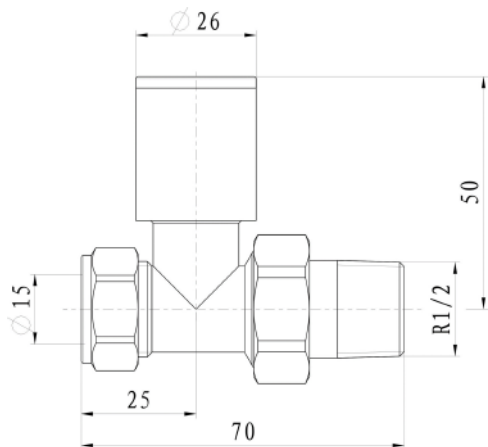


## Westminster Angled TRV Valve

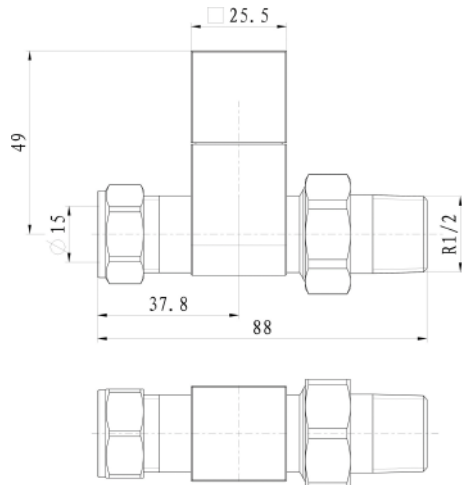


# MANUAL VALVES

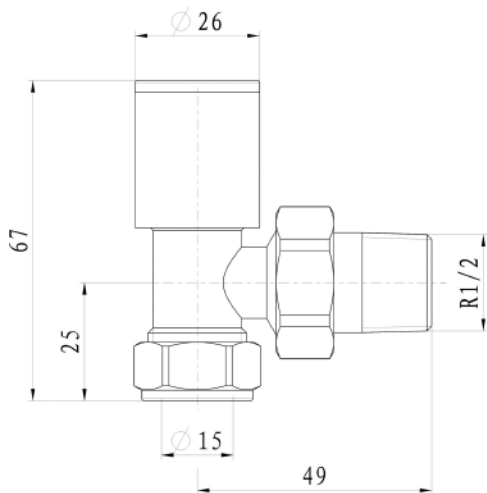
## Straight Round Valve



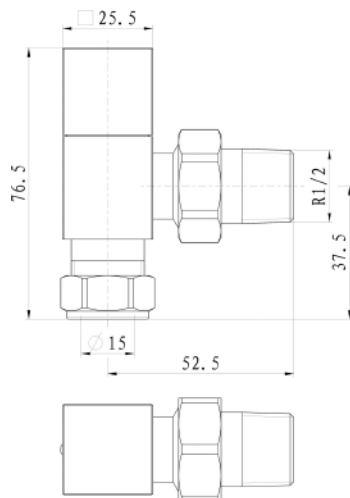
## Straight Square Valve



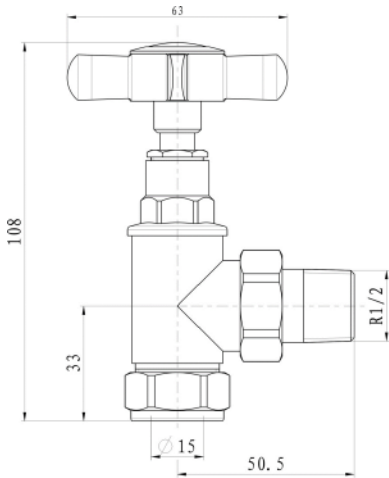
## Angled Round Valve



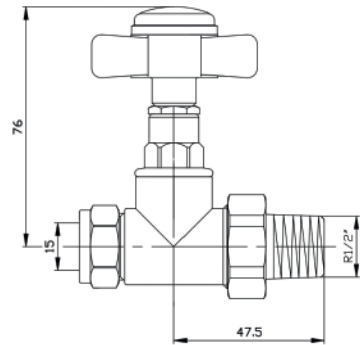
## Angled Square Valve



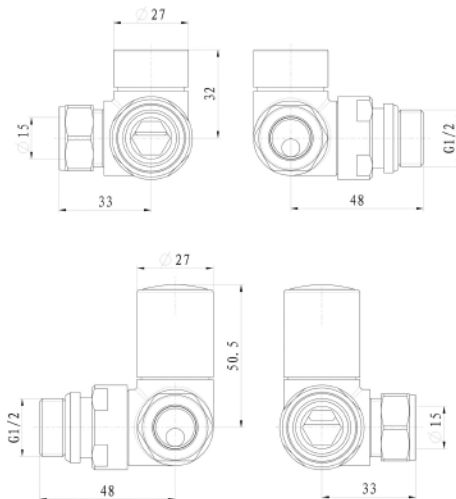
## Angled Cross Head Valve



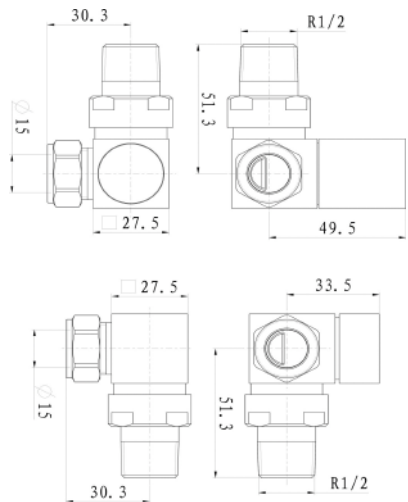
## Straight Cross Head Valve



## Corner Round Valve

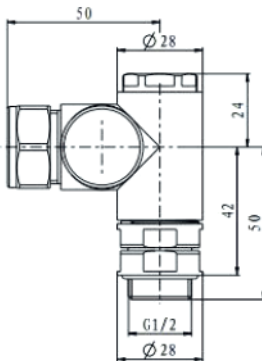
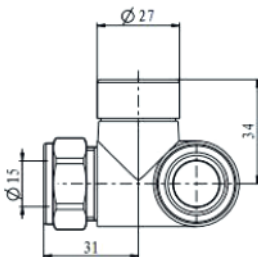
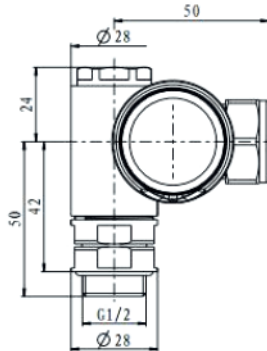
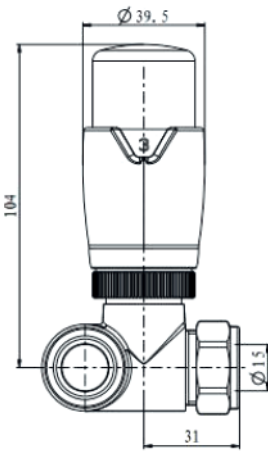


## Corner Square Valve



# DUAL FUEL CORNER VALVES

## Dual Fuel TRV Corner Valve



### Product Information

Valve to radiator Valve to Pipe Sensor  
Type Material: Brass Warranty: 3 Years  
1/2"  
15mm Compression  
Liquid Sensor  
Response Time: not exceed 40 Mins  
Hysteresis : <1 K  
Weight: 825g  
Weight boxed: 836g  
Bi-Directional Valve Body  
With Frost Protection: When the scale is set "※"

### Pressure Rating

Max Test Pressure: 10 Bar  
Max Pressure differential: 0.1 Mpa

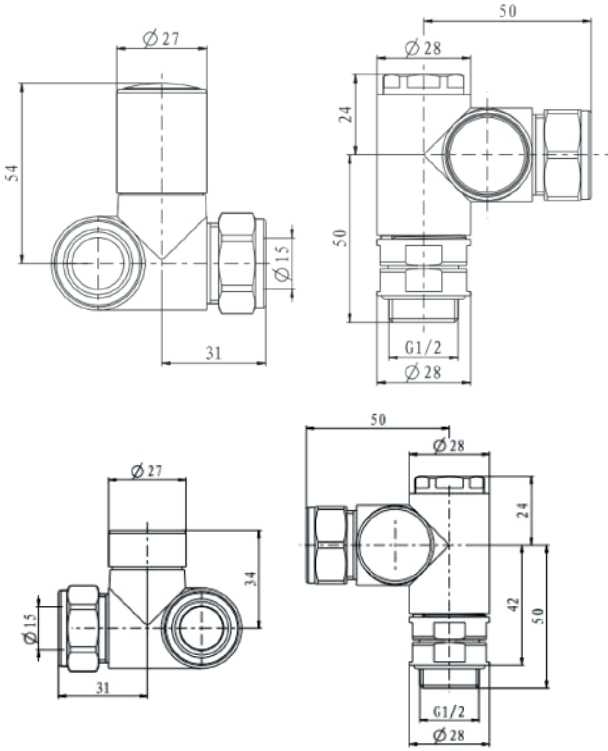
### Temperature Ratings

Max flow temperature: 120 °C  
Temperature adjustment range: 7-28  
Differential pressure influence: <1 K Max  
ambient temperature: <1.5 K  
Water temperature effect: /

### Flow Ratings

Nominal flow rate: Min setting 212.1 kg/h,  
when the temperature is on 6.3 °C.  
Max setting 210.1 kg/h, when the  
temperature is on 28.83 °C.  
Max Flow Rate 173 kgs/h

## Dual Fuel Corner Valve w/ Element Shield



### Product Information

Valve to radiator  
 Valve to Pipe Sensor  
 Type Material: Brass  
 Warranty: 3 Years  
 1/2"  
 15mm Compression

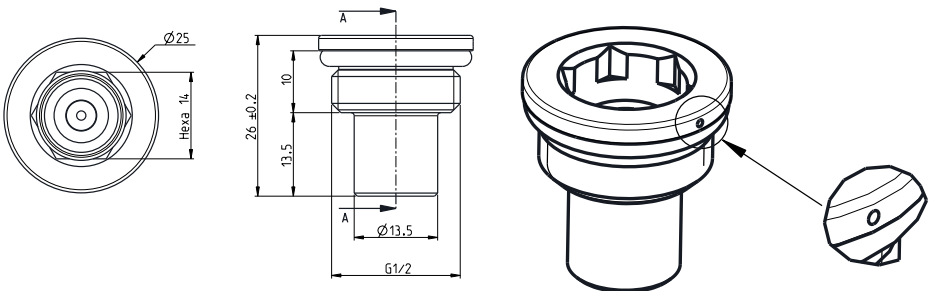
### Pressure Rating

Max Test Pressure: 10 Bar  
 Max Pressure differential: 0.1 Mpa

### Temperature Ratings

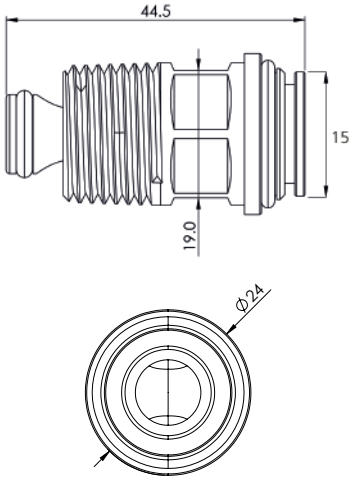
Max Flow Rate: 173 kgs/h

## AUTO AIR VENT

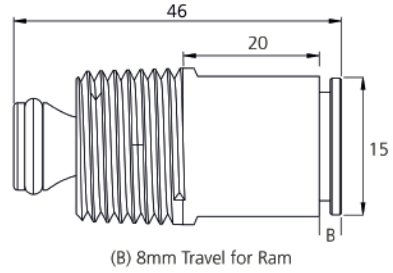


# SHUT OFF VALVES

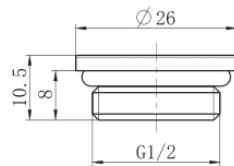
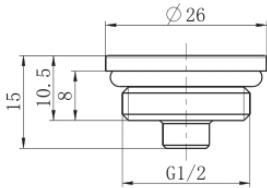
Manual Shut Off Valve



TRV Shut Off Valve



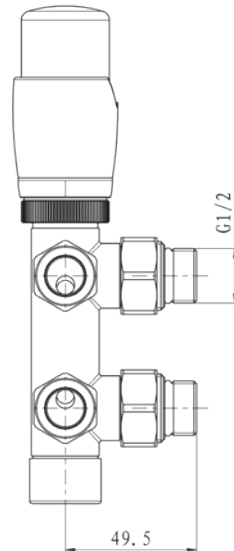
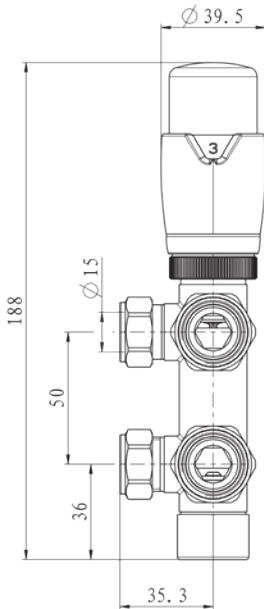
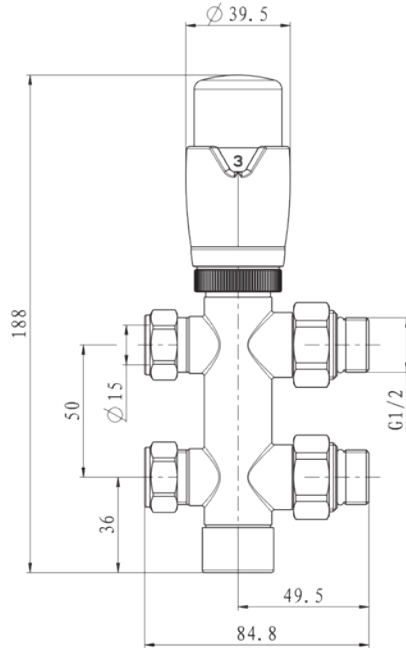
# MANUAL AIR VENT & PLUG



# H-BLOCK TRV VALVES

## Product Information

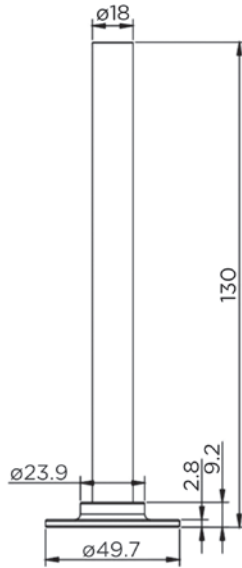
Height (mm): 65  
Width (mm): 190  
Depth (mm): 55  
Weight Product (kg): 0.76  
Weight Boxed (kg): 0.80  
Style: Modern twin radiator valve  
Orientation: Corner  
Compression Inlet(s): 15mm  
Outlet(s): 15mm Compression  
Radiator Coupler: ½" BSPT - Male  
Pipe Centres (mm): 50  
Type: Twin  
Comprises Of: One wheel head and one lockshield  
Material: Brass  
Finish: Chrome  
Warranty: 2 year manufacturer's



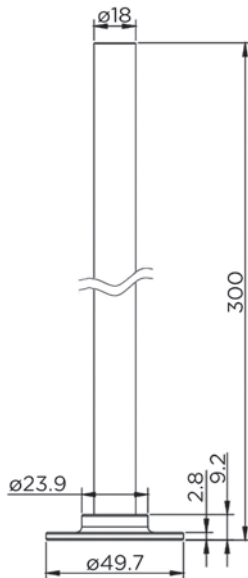
# PIPE SETS

## Pipe Sets

18mm x 130mm

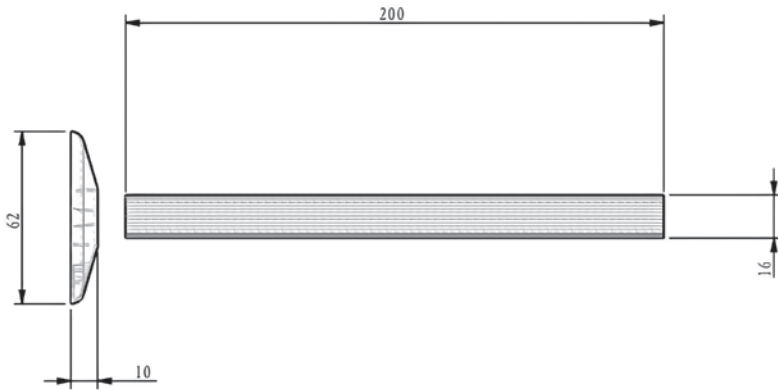


18mm x 300mm  
Chrome Only



# ELEMENT SLEEVES AND SHROUDS

## Retrofit Sleeves



## Element Shrouds







**MARK  
VITOW™**

**WEBSITE:** [www.markvitow.com](http://www.markvitow.com)    **PHONE:** 020 8207 3784    **EMAIL:** [sales@markvitow.com](mailto:sales@markvitow.com)

**OFFICE:** Mark Vitow Ltd, 1 Silver Court, Watchmead, Welwyn Garden City, Hertfordshire AL7 1LT