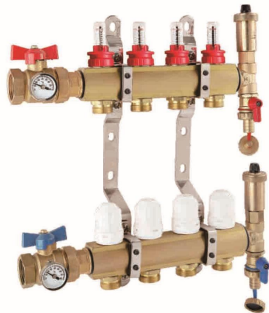


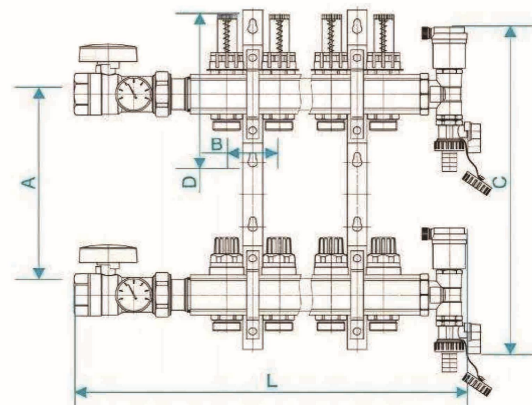
MANIFOLDS - Brass UFH Manifold



EFIELD UNDER FLOOR HEATING MANIFOLD

Underfloor Heating Manifolds are especially designed for underfloor heating systems. They provide precise flow control and balancing, and by using different connectors, can be matched with multi-layer, PEX and PE-RT tubing.

1. Compatible with PEX PE-RT and PAP Tubing
2. Precise Flow Control and Balancing
3. Maximum 12 Branch Outlets
4. Latest Polishing and Processing Techniques



A	B	C	D
210	50	355	127

L=50*N+20+121.5+58.5										
300	350	400	450	500	550	600	650	700	750	800

CODE	SIZE	WAYS	CONNECTIONS
1F-3/4*2(CU)	1*G	2	3/4*16(20)
1F-3/4*3(CU)	1*G	3	3/4*16(20)
1F-3/4*4(CU)	1*G	4	3/4*16(20)
1F-3/4*5(CU)	1*G	5	3/4*16(20)
1F-3/4*6(CU)	1*G	6	3/4*16(20)
1F-3/4*7(CU)	1*G	7	3/4*16(20)
1F-3/4*8(CU)	1*G	8	3/4*16(20)
1F-3/4*9(CU)	1*G	9	3/4*16(20)
1F-3/4*10(CU)	1*G	10	3/4*16(20)
1F-3/4*11(CU)	1*G	11	3/4*16(20)
1F-3/4*12(CU)	1*G	12	3/4*16(20)

CODE	SIZE	WAYS	CONNECTIONS
1F-3/4*2(Ni)	1*G	2	3/4*16(20)
1F-3/4*3(Ni)	1*G	3	3/4*16(20)
1F-3/4*4(Ni)	1*G	4	3/4*16(20)
1F-3/4*5(Ni)	1*G	5	3/4*16(20)
1F-3/4*6(Ni)	1*G	6	3/4*16(20)
1F-3/4*7(Ni)	1*G	7	3/4*16(20)
1F-3/4*8(Ni)	1*G	8	3/4*16(20)
1F-3/4*9(Ni)	1*G	9	3/4*16(20)
1F-3/4*10(Ni)	1*G	10	3/4*16(20)
1F-3/4*11(Ni)	1*G	11	3/4*16(20)
1F-3/4*12(Ni)	1*G	12	3/4*16(20)

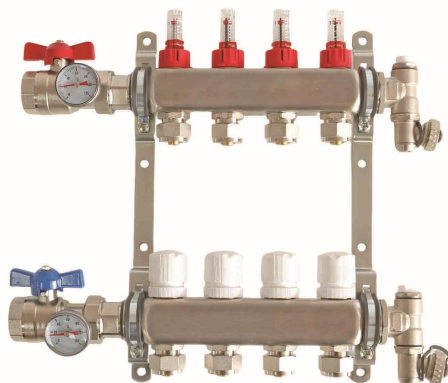


MANIFOLDS - Stainless Steel UFH Manifold

EFIELD Stainless steel manifolds for use on underfloor heating systems.

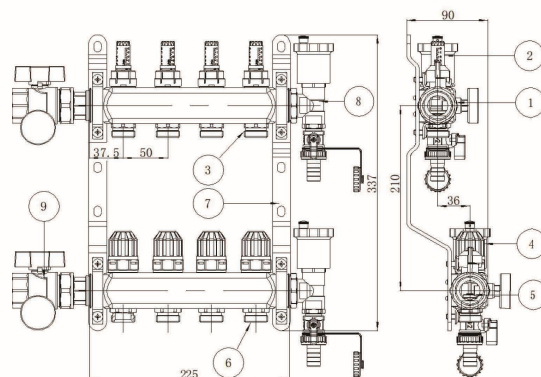
These consist of two manifold bodies, one is for flow and one is for return, complete with ball valves, drain/filling valves and air vents. On the flow body, each branch has a flow indicator with isolator, including an easy-to-read gauge.

Each branch on the return body is equipped with an integral control valve and protection cap which allows the user to adjust the volume of water, or can be removed to accept a Manifold Thermoelectric Head.



Features and Benefits

- Supplied pre-mounted on installation brackets
- Valves on return manifold accept a Manifold Thermoelectric Head for remote control of each zone
- 1" ball valves, filling and drain-off points are included
- Connections are Euroconus 3/4"
- Flowmeters with isolating valves included



Ways	2	3	4	5	6	7	8	9	10	11	12
Length	126	176	226	276	326	376	426	476	526	576	626
Total length	300	350	400	450	500	550	600	650	700	750	800

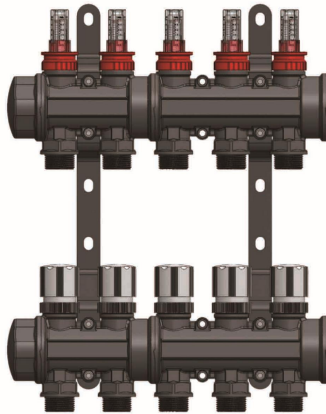
(*mm)

1	Manifold	1"
2	Flowmeter	1"
3	Male adapter	1/2"*3/4"
4	Handweel	M30*1.5
5	Manifold	M30*1.5
6	Male adapter	1/2"*3/4"
7	Metal bracket	1"
8	Air vent	1"
9	Ball valve	1"

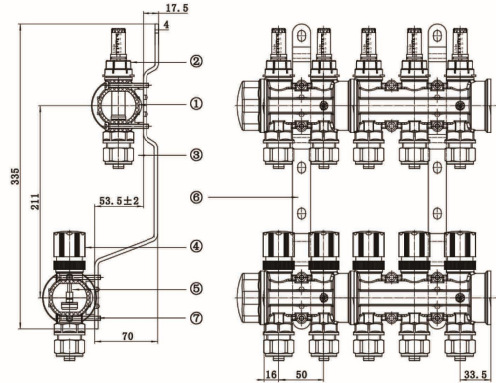
MANIFOLDS - EFIELD Polymer Manifold

Polymer distribution collectors, diameter 1 1/4"

- Polymer collectors
- Collector section – diameter 1 1/4"
- Flow meter: 0.0 ~ 5.0 l/min
- Branch Size G 3/4"
- Interface thread dimensions 1 1/2"
- Maximum working pressure: 10 bar
- Maximum operating temperature: 70°C at 6 bar
- Integrated injection molding design reduces leakage risk
- The main pipeline connection employs an O-ring seal for safety and reliability.



Manifolds are available in 2-way and 3-way types. Other ways can be combined with these two types. Main branches are connected via threaded joints, sealed with EPDM O-rings, and secured by interlocking lugs. Tightening the branch adapter requires approximately 50 N·m of torque.

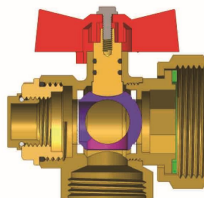
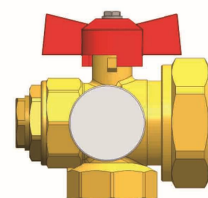
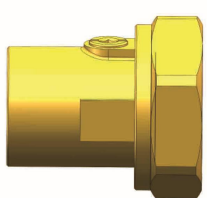


1	Manifold	1 1/4"
2	Flowmeter	1"
3	Adapter	3/4"
4	Handweel	M30*1.5
5	Manifold	M30*1.5
6	Metal bracket	1 1/4"
7	Bolt	M5*44

Ways	2	3	4	5	6	7	8	9	10	11	12
Combination Plan	2	3	2+2	2+3	3+3	2+2+3	3+3+2	3+3+3	3+3+2+2	3+3+3+2	3+3+3+3
Total length	117	167	217	267	317	367	417	467	517	567	617

(* mm)

 <p>Exhaust sluicing tail fitting Material: brass Surface: nickel plated Pressure: 1.6Mpa Temperature: 0~90°C Size: 1" & 1 1/2"</p>	 <p>Exhaust sluicing tail fitting Material: brass Surface: nickel plated Pressure: 1.6Mpa Temperature: 0~90°C Size: 1" & 1 1/2"</p>	 <p>Vent valve Material: brass Surface: brass color Pressure: 1.6Mpa Temperature: 0~90°C Size: 1/2" & 3/4"</p>	 <p>Drain valve Material: brass Surface: nickel plated Pressure: 1.6Mpa Temperature: 0~90°C Size: 3/8" & 1/2" & 3/4"</p>
--	---	--	--

 <p>Valve Material: brass Surface: brass color Pressure: 1.6Mpa Temperature: 0~90°C Size: H1 1/2F*1F</p>	 <p>Valve Material: brass Surface: brass color Pressure: 1.6Mpa Temperature: 0~90°C Size: H1 1/2F*1F</p>	 <p>Valve Material: brass Surface: brass color Pressure: 1.6Mpa Temperature: 0~90°C Size: SH1 1/2F*1F</p>
---	--	---

Connector Core for PEX Pipes

SPECIFICATION	SPECIFICATION
16*3/4"	1/2"
17*3/4"	1"
18*3/4"	1 1/2"
20*3/4"	METAL BRACKET
	1 1/4"

System Installation Plan

