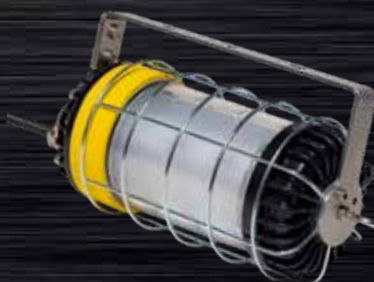




ATEX Lighting Range



RoHS



Established in 1989, NightSearcher continues to push the boundaries of lighting technology in its quest to design and manufacture the best portable rechargeable lighting systems on the market. Offering unsurpassed quality combined with fully supported reliability, our diverse range has something to offer for a variety of professional applications and environments.

The SafAtex range has been trusted to illuminate the most hazardous and hostile working environments. The ATEX mark signifies that equipment is suitable for use in hazardous environments with a potentially explosive atmosphere, so you can be assured that the products you buy from us are completely safe and have undergone rigorous testing and carry the necessary ATEX certification and labelling.

We are in it for the long run and we thank all of our customers for their continued ongoing support. NightSearcher will continue to light the future!!

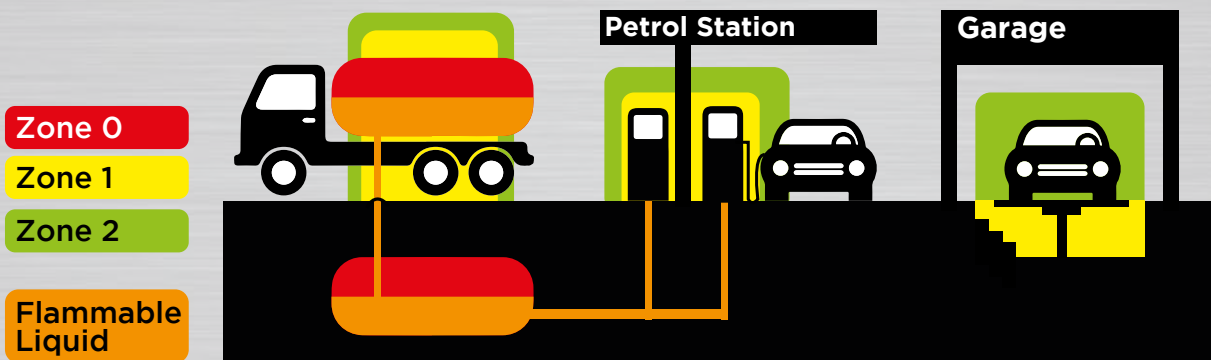
Colin Howard Managing Director

Designed for oil & gas, petrochemical, aviation, marine, mining and utility applications.

Intrinsically Safe Explained

Hazardous Area Classification Zone 0, Zone 1, Zone 2

This diagram shows how hazardous area zones may occur in typical circumstances

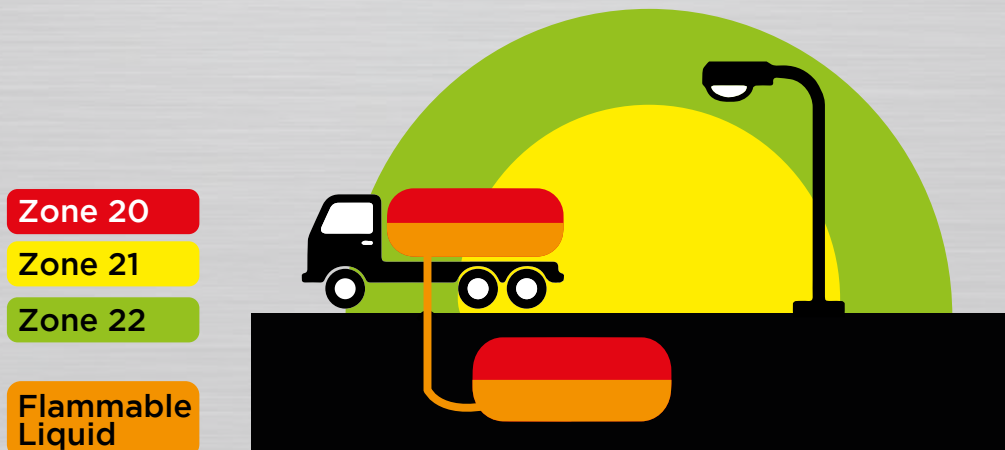


Gas Zones
0 + 1 + 2

Flammable
Gases, vapour
or liquids

Hazardous Area Classification Zone 20, Zone 21, Zone 22

This diagram shows how hazardous area zones may occur in typical circumstances



Dust Zones
Zone 20 + 21 + 22

Combustible
Dusts

The SafAtex portable lights are trusted by a wide variety of commercial and industrial users, as well as emergency services all over the world.

ATEX Marking

CE
CE mark denotes manufacturers' declaration of product compliance to all relevant EU Directives

Ex
Specific mark for Explosion Protection

I
Equipment Group (Mining)

M1
Equipment Category (Mining)

II
Not For Use In Mines

1
Atex Category 1 (Old Zone 0)

GD
Tested for Gases, Vapour and Dust Atmospheres

ATEX EX Marking For Explosive Dust Atmospheres

Ex
Explosion Protected Equipment

ia
Intrinsic Safe 'i'

IIIB
Dust Group

T130°C
Temperature Classification

Da
Equipment Protection Level

IP67
Ingress Protection Level Marking

ATEX Ex Marking For Explosive Gas Atmospheres

Ex
Explosion Protected Equipment

ia
Intrinsic Safe 'i'

I
Gas Group

Ma
Equipment Protection Level

IIC
Gas Group

T4
Temperature Classification

Ga
Equipment Protection Level





SIGMA ATEX 1000 Rechargeable Searchlight

Powerful 890 Lumens with 830 metres beam



ZONE 1



DUST
ZONE 21







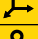



Digital battery status
Real-time display

Features:

- ATEX certificated Gas Zone 1 and Dust Zone 21
- 890 Lumens with 830 metres beam
- Robust aluminum housing with a neoprene rubberised cover for additionally protection
- Digital battery status indicator with real-time display
- Ergonomic handle for easy light mode operation
- Compact size for easy of use in confined spaces and transportation
- IP68 Rated
- Supplied with shoulder strap and AC charger

Specification

	High: 890 Low: 670 Flashing: 890
	830 Metres
	8 11 20 Hours runtime
MODE	High/Low/Flashing
 Li-ion	22.2 V 2600mAh 6 x 18650 batteries
	8 Hours charging time
	IP68
	140x67mm Ø
	872g
CODE	SA-SIGMA-RSL1000

CERTIFICATION:



ATEX Zone 1 & 21 and 2 & 22
Ex II 2 G Ex db ib IIC T6 Gb
Ex II 2 D Ex ib tb IIIC T80°C Db IP68
-20°C <Ta> +55°C
ATEX Cert No.: TUV 19 ATEX 8442 X
IECEX Cert No.: IECEX TUR 19.0062X



Scan for multi
language information



SIGMA ATEX Rechargeable Searchlight

Powerful 370 Lumens and 400m beam with wall mountable charging base



ZONE 0



MINING APPROVED



Features:

- ATEX certificated Gas Zone 0
- Powerful beam from parabolic reflector
- Supplied with a charging cradle for wall or desk mounting
- Tough polycarbonate, ABS construction
- Durable casing, ideal for heavy industrial use
- IP64 Rated
- Lightweight 650g
- Large switch - can be easily operated when wearing gloves
- Battery charging indicator
- Safety release valve to remove hydrogen gases



Wall mountable charging base

	Specification
	High: 370 Medium: 112 Low: 19
	400 Metres
	4-30 Hours runtime
MODE	High/Medium/Low
Li-ion	3.7V 1960mAh
	6.5 Hours charging time
	IP64
	256x136.2x170.4mm
	Searchlight: 650g with base: 980g
CODE	SA-SIGMA-RSL Previously: NSSAFA-SL

Supplied with: Shoulder strap and wall charging base

CERTIFICATION:



Scan for multi language information

CLASS I DIV 1&2 GRP ABCD

CLASS III

TEMP CODE: T4 IP64

FILE NUMBER: 261379

ATEX Zone 0

Gas: Ex II 1G Ex ia op is IIC T4 Ga

Mining: Ex I M1 Ex ia op is I Ma

SIRA 17 ATEX 2195X

GAS: Ex ia op is IIC T4

Ga (Zone 0)

MINING: Ex ia Ma

IECEx SIR 17.0042X



SIGMA ATEX Right Angled Torch

Tough, bright and compact. Ideal torch for Firemen



Large on/off switch

Rubberised grip



Pocket/Belt stainless steel clip



Features:

- ATEX certificated Gas Zone 0
- Widely used by fire fighters wearing a breathing apparatus
- 90 degree beam allowing chest mounting, hands free operation
- 325 lumens beam - Focus designed to penetrate through smoke
- Large switch is easy to operate even when wearing gloves
- Suitable for mining
- IP54 Rated
- Rubberised head and grips for durability
- Tough polycarbonate housing
- Stainless steel pocket/belt clip to attach to belts and jackets

	Specification
	High: 325 Low: 140
	290 Metres
	6.5-13 Hours runtime
MODE	High/Low
	4 x AA batteries (not included)
	IP54
	183x69x63mm Ø
	250g
CODE	SA-SIGMA-RA Previously: NSSAFA-RAFLA

CERTIFICATION:



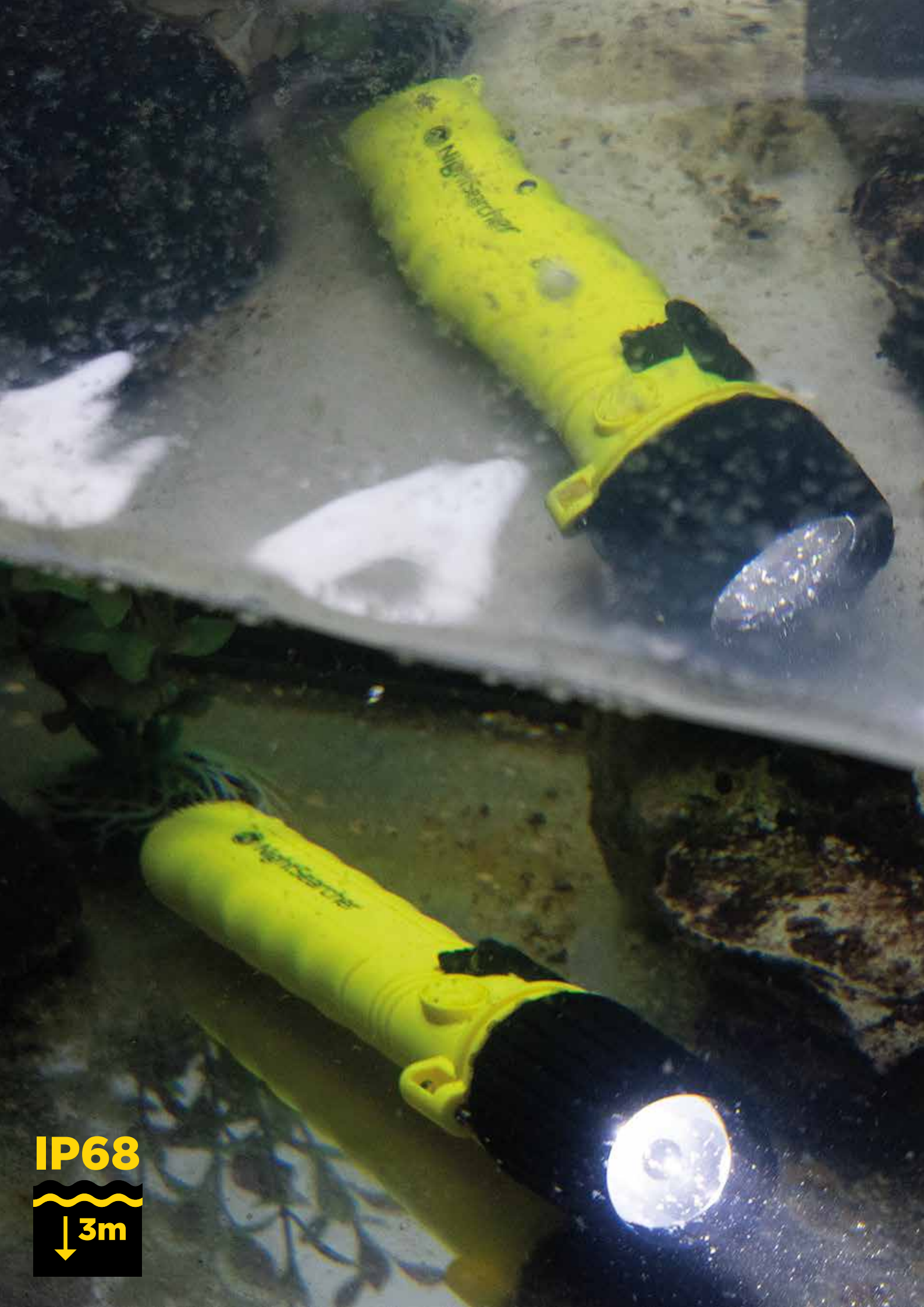
Scan for multi language information

CLASS I DIV 1&2 GRP ABCD
CLASS II DIV 1&2 GRP EFG
CLASS III / TEMP CODE: T4 IP54
FILE NUMBER: 261379

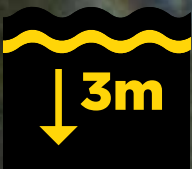
ATEX Zone 0
Gas: II 1G Ex ia IIC T4 Ga
Mine: I M1 Ex ia I Ma
Sira 15ATEX2166X

GAS: Ex ia IIC T4 Ga
MINING: Ex ia Ma
IECEx SIR 15.0062X





IP68



SIGMA ATEX 4AA Flashlight

Compact design with 3 light modes

ZONE 0



Sliding light mode switch



Features:

- ATEX certificated Gas Zone 0
- 3 Mode sliding switch
- Flashing mode ideal for signalling
- IP68 submersible up to 3 metres
- Rubberised head for extra durability
- Tough polycarbonate housing
- Impact resistant, drop proof up to 1m
- Easy operation with gloved hand
- Safety release valve to remove hydrogen gases



Safety lock to prevent from accidental operation



Can be mounted on a helmet

	Specification
	High: 185 Low: 70 Flashing: 180
	117 Metres
	8-30 Hour runtime
MODE	High/Low/Flashing
	4 x AA batteries (not included)
	IP68
	172x47mm Ø
	140g
CODE	SA-SIGMA-4AA Previously: NSSAFA-FLA-4AA

Supplied with: Wrist strap
Optional helmet clips are available

CERTIFICATION:



Class I Div 1&2 Grp ABCD
Class II Div 1&2 Grp EFG
Class III Temp Code: T4
FILE NO: E324236

Gas: II 1 G Ex ia IIC T4 IP68
DEMKO 13
ATEX 1205039X

Gas: Ex ia IIC T4 Ga
IECEx UL13.0060X



Scan for multi language information



SIGMA ATEX Zoom Flashlight

Adjustable spot to flood zoom beam



ZONE 0



MINING APPROVED



Features:

- ATEX certificated Gas Zone 0
- Adjustable beam - Twist head for Spot to Flood beam making it ideal for both distance and close up work
- Rotate sliding switch between light modes
- Tough polycarbonate housing
- Rubberised head and grip for durability
- IP67 Rated
- Beam Lock
- Suitable for heavy industrial use
- Easy operation with gloved hand
- Safety release valve to remove hydrogen gases



Switch lock



Sliding beam mode



Spot



Flood

	Specification
	Spot: 83-235 Flood: 83-235 Flashing
	72-116 Metres 16-26 Metres
	11-36 Hours runtime
MODE	Spot: High/Low High/Low Flashing
	4 x AA batteries (not included)
	IP67
	184x52mm Ø
	250g

CODE SA-SIGMA-ZOOM
Previously: NSSAFA-FLA-ZOOM

Supplied with: Wrist strap

CERTIFICATION:



Scan for multi language information

CLASS I DIV 1&2 GRP ABCD
CLASS II DIV 1&2 GRP EFG
CLASS III / TEMP CODE: T4 IP67
FILE NUMBER: E324236

ATEX Zone 0
Gas: II 1G Ex ia IIC T4 Ga
Mine: I M1 Ex ia I Ma
DEMKO 15 ATEX 1476X

Gas: Ex ia IIC T4 Ga
Mine: Ex ia I Ma
IECEx UL 15.0046X



SIGMA ATEX 3C Flashlight

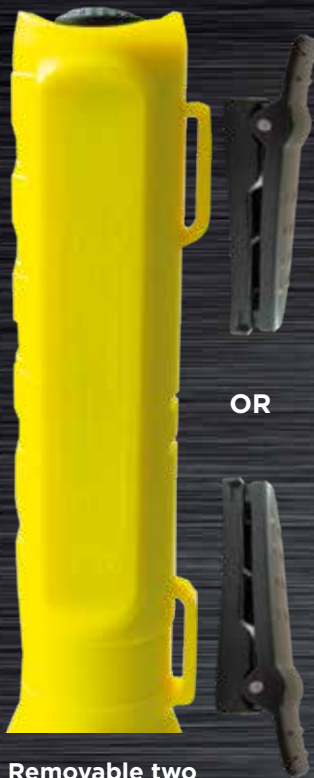
Large capacity battery with 80 hours runtime

ZONE 0



Features:

- ATEX certificated Gas Zone 0
- Long run time up to 80 hours
- Removable clip allowing you to easily attach to overalls, jackets and clip boards.
- Rubberised head for extra durability
- Tough polycarbonate housing
- Suitable for heavy industrial use
- IP67 Submersible up to 1m
- Easy operation with gloved hand
- Safety release valve to remove hydrogen gases



OR



Removable two position clip

On/off tail switch

	Specification
	High: 150 Low: 57
	248 Metres
	42.5-80 Hours runtime
MODE	High/Low
	3x C Cell batteries (not included)
	IP67
	225x60x85mm
	190g
CODE	SA-SIGMA-3C Previously: NSSAFA-FLA-3C

Optional helmet clips are available

CERTIFICATION:



Scan for multi language information

CLASS I DIV 1 & 2 GRP ABCD
CLASS II DIV 1 & 2 GRP EFG
CLASS III Temp Code: T4
FILE NO: E61379

ATEX Zone 0
Gas: II 1G Ex ia IIC T4
DEMKO 13
ATEX 1112940X

Gas: Ex ia IIC T4 Ga
IECEx UL 13.0008X





SIGMA ATEX Pen Light

2 x AA Pocket sized light with long 20.5 hours runtime



ZONE 0



MINING APPROVED



Pocket clip or belt clip

Features:

- ATEX certificated Gas Zone 0
- Suitable for mining
- Slim, lightweight and pocket sized
- Tough polycarbonate housing
- Non slip handle
- Rubberised head and body for durability
- IP67 Submersible up to 1 metre
- Suitable for heavy industrial use
- Safety release valve to remove hydrogen gases



Easy on/off tail switch

	Specification
	67
	41 Metres
	20.5 Hours runtime
MODE	High
	2 x AA batteries (not included)
	IP67
	142x30X26mm
	41g
CODE	SA-SIGMA-PL Previously: NSSAFA-FLA-PL

Supplied with: Wrist strap

CERTIFICATION:



REACH



Scan for multi language information

CLASS I DIV 1&2 GRP ABCD
CLASS II DIV 1&2 GRP EFG
CLASS III
Temperature Code T5 IP67
File number: E324236

ATEX Zone 0
Gas: Ex II 1G Ex ia IIC T5 Ga
Mine: Ex I M1 Ex ia I Ma
DEMKO 16 ATEX 1661X

Gas: Ex ia IIC T5 Ga
Mine: Ex ia I Ma
IECEX UL 16.0015X



Rear Light

Flood



Front Light

Spot

SIGMA ATEX Rechargeable Flashlight

Dual ended flashlight with spot and flood beam

ZONE 1



DUST
ZONE 21











Features:

- ATEX certificated Gas Zone 1 and Dust Zone 21
- Compact and lightweight
- High strength aluminium housing
- Easy operation with gloved hand
- Suitable for heavy industrial use
- IP68 Submersible up to 3 metres
- Dual ended - front spot light and rear flood light
- Battery charging indicator



Large buttons for easy operation with gloved hand

	Specification
	Spot: 157 Flood: 129
	220 Metres 100 Metres
	9 Hours 18.5 Hours runtime
MODE	Spot/Flood
 Li-ion	3.7V 2.2Ah
	6 Hours charging time
	IP68
	156x35mm Ø
	190g
CODE	SA-SIGMA-RFL Previously: NSSAFA-FLAR

CERTIFICATION:



ATEX Zone 1 & 21 and 2 & 22
Ex II 2 G Ex ib IIC T4 Gb
Ex II 2 D Ex ib IIIC T130°C IP68
ATEX Certificate NO:
TÜV 15 ATEX 7713X



Scan for multi language information

Supplied with: Wrist strap



SIGMA ATEX Head Torch Mini

3 x AAA - Easy turn on/off with rotatory switch



Rotary on/off switch

ZONE 0



MINING APPROVED



Features:

- ATEX certificated Gas Zone 0
- Suitable for mining
- Strong ABS housing with durable rubber coating
- Fully adjustable silicone lined headband
- Submersible up to 1 metres
- Safety release valve to remove hydrogen gases
- Safety locking battery compartment
- 90° rotational switch



	Specification
	High: 140
	86 Metres
	6 Hours runtime
MODE	High
	3 x AAA batteries (not included)
	IP67
	70x60x60mm
	110g
CODE	SA-SIGMA-HTMINI Previously: NSSAFA-HTMINI

CERTIFICATION:



CLASS I DIV 1&2 GRP ABCD
CLASS II DIV 1&2 GRP EFG
CLASS III
TEMP CODE: T4 IP67
FILE NUMBER: E324236

ATEX Zone 0
Ex I M1 Ex ia I Ma
Ex II 1G Ex ia IIC T4 Ga
DEMKO 15 ATEX 1546X

Gas: Ex ia IIC T4 Ga
Mine: Ex ia I Ma
IECEx UL 15.0086X



Scan for multi language information

Optional Helmet clips: SPPCLIPS



SIGMA ATEX Head Torch Pro

3 x AAA - Powerful 220 lumen and 100m beam



ZONE 0



Features:

- ATEX certificated Gas Zone 0
- Strong ABS housing with durable rubber coating
- Fully adjustable silicone lined headband
- Large accessible switch
- Submersible up to 1 metres
- Safety release valve to remove hydrogen gases
- Safety locking battery compartment
- 90° rotational head



Large accessible switch

	Specification
	High: 220 Low: 100
	100 Metres
	5-12 Hours runtime
MODE	High/Low
	3 x AAA batteries (not included)
	IP67
	80x50x45mm
	143g

CODE SA-SIGMA-HTPRO
Previously: NSSAFA-HTPRO

Optional Helmet clips: SPPCLIPS

CERTIFICATION:



REACH

CLASS I DIV 1&2 GRP ABCD
CLASS II DIV 1&2 GRP EFG
CLASS III
TEMP CODE: T4 IP67
FILE NUMBER: E324236

ATEX Zone 0
Gas: II 1G Ex ia IIC T4 IP67
DEMKO 14 ATEX 1354X

Gas: Ex ia IIC T4 Ga IP67
IECEx UL 14.0059X












Scan for multi language information





Accessories:

	Protective Grid		Mounting Bracket		Antistatic Protective peel off Foil
	Vertical Cable Hanging Set		Horizontal Cable Hanging Set		Hook Eye Set
	M20x1.5 ø7-12mm		M20x1.5 ø10-15mm		Ex Stopping Plug M20x1.5



TITAN ATEX 360° Portable Light

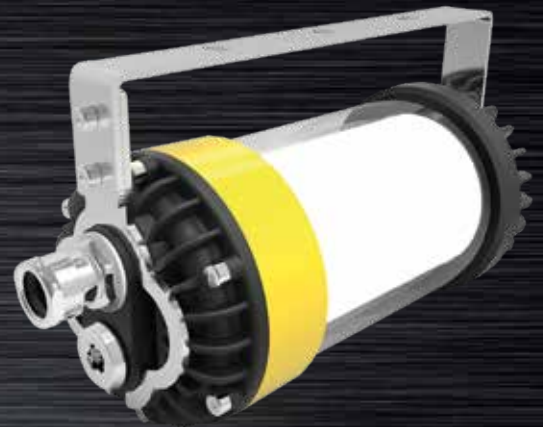
Circular LED light, portable lamp or fixed lighting



ZONE 1



DUST
ZONE 21



Outstanding thermal management since the LED engine is attached directly to the top and bottom cover, acting as a heat sink.



Individual or daisy chain connection

Features:

- ATEX certificated Gas Zone 1 and Dust Zone 21
- Ideal for indoors or outdoors applications
- High light intensity with no glare effect
- 180° or 360° illumination
- IK08 High strength Aluminium housing
- Tempered borosilicate glass tube
- Individual or daisy chain connection
- IP66 Rating
- Explosion proof
- Operating temperature -40°C to +50°C

Specification

	2300	3000	3000	3500
	2300	3000	3000	3500
	360°	360°	360°	180° or 360°
	20-30V AC 20-30V DC	28-48V AC 38-60V DC	90-130V AC 90-130V AC	210-250V AC
NOMINAL VOLTAGE	24V AC	42V AC	110V AC	230V AC
WATT	20W	25W	25W	30W
	IP66 + IP67			
	380x125x300mm			
	2.3kg			
CODE	SA-TITAN-24V	SA-TITAN-42V	SA-TITAN-110V	SA-TITAN-230V

CERTIFICATION:



ATEX Zone 1, 2 & 21, 22
 Ⓜ II 2G Ex db op is IIC T6 Gb;
 Ⓜ II 2D Ex tb op is IIIC T85°C Db
 EXA 16 ATEX 0069X
 IECEx EXA 18.0006X



Scan for multi language information



Accessories:



Ex Gland G3/4 BSP
ø7-12mm



Antistatic
Protective peel off
Foil



Ex Stopping
Plug G3/4 BSP



TITAN ATEX AC Floodlight

Ideal for wet hazardous locations, up to 20,100 lumens



ZONE 1





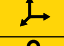



DUST
ZONE 21



Features:

- ATEX certificated Gas Zone 1 and Dust Zone 21
- IK08 High strength aluminium housing
- Ultra bright LEDs
- Adjustable bracket
- Individual or daisy chain connection
- IP66 Rating
- Exceptional thermal management
- Explosion proof
- Shock and vibration resistant tempered glass
- Can be ceiling, wall or scaffold mounted
- Operating temperature -40°C to +40°C

	Specification	
	8600	20,100
	60° - 120° beam	60° - 90° beam
	100-350V AC 110 - 430V DC	
WATT	60W	140W
	IP66	
	380x125x300mm	
	10kg	
CODE	SA-TITAN-FL8600	SA-TITAN-FL20100

CERTIFICATION:



ATEX Zone 1, 2 & 21, 22
 Ⓜ II 2G Ex db op is IIB T6 Gb;
 Ⓜ II 2D Ex tb op is IIIC T85°C Db



Scan for multi
language information



Features:

- Rechargeable
- ATEX certificated Gas Zone 1 and Dust Zone 21
- High strength aluminium housing
- Explosion proof
- Adjustable beam
- Runtime lasts longer than typical shift
- Carry handle
- Compact, ideal for confined spaces



- Choose 1400 or 2100 lumens light output
- Choose stainless steel stand or magnetic base

Ultra strong magnetic feet



1400 Lumens:

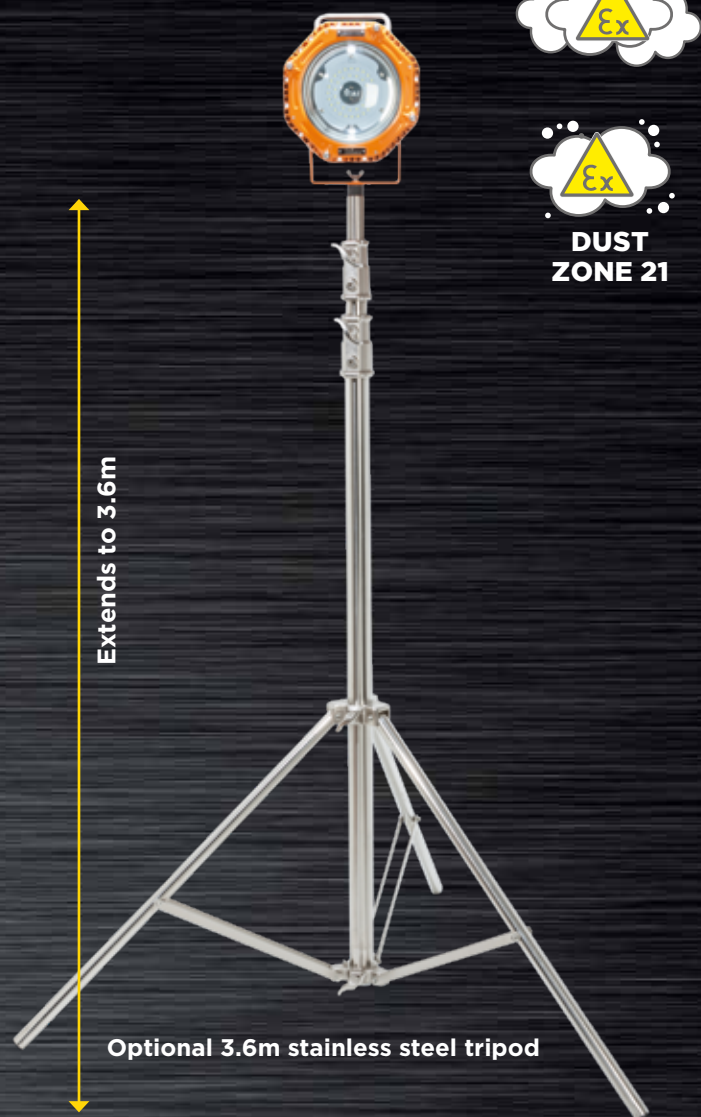
	Stainless Steel stand	Magnetic Base
	High: 1400, 10W	
	20 Metres	
	10 Hours runtime	
MODE	High	
Li-ion	6.6Ah	
	3-5 Hours charging time	
	IP66	
	209x236x303mm	209x198x293mm
	5.2kg	6.5kg
CODE	SA-TITAN-R-STAND	SA-TITAN-R-MAG

Previously: NSSAFA-FLR-STAND | NSSAFA-FLRMAG



TITAN ATEX Rechargeable Work Light

Choice of two light outputs 1400 or 2100 lumens



2100 Lumens:

	Stainless Steel stand	Magnetic Base
	High: 2100, 15W	
	30 Metres	
	6 Hours runtime	
MODE	High	
Li-ion	6.6Ah	
	3-5 Hours charging time	
	IP66	
	209x236x303mm	209x198x293mm
	5.2kg	6.5kg
CODE	SA-TITAN-RX-STAND	SA-TITAN-RX-MAG

Previously: NSSAFA-FLR-STAND-X | NSSAFA-FLRMAG-STAND-X

CERTIFICATION:



Scan for multi language information

ATEX Zone 1 & 21 and 2 & 22
 II 2 G Ex db op is IIC T⁺ Gb
 II 2 G Ex tb op is IIIC T⁺ Db
 FILE NUMBER: EPT 18 ATEX 2977 X

Gas: Ex d IIC T6 T4 Gb
 Ex tb IIIC T80°C T130°C Db IP66
 IECEx CQM 15.0039X

TITAN ATEX AC Floodlight

Powerful 17,000 lumen light output



ZONE 2



DUST
ZONE 22







Other models available



Features:

- ATEX certificated Gas Zone 1 and Dust Zone 21
- IK08 High strength Aluminium housing
- Ultra bright LEDs
- Adjustable bracket
- Long range Floodlight
- Shock and vibration resistant tempered glass
- Surge protection
- Explosion proof

Specification

	High: 17,000
	43 Metres
	110/120V or 220/240V
MODE	High
	IP66
	425.5x336mm
	10.4kg
CODE	SA-TITAN-17000

Previously: NSSAFA-AC-FLO

CERTIFICATION:



ATEX



ATEX Zone 2 & 22

⊕ 3 G Ex nR IIC T5 or T6 Gc

⊕ 3 D Ex tc IIIC T95°C or T85°C

FILE NUMBER: TÜV 15 ATEX 7672 X

Optional brackets available, special order only:



Stanchion
Bracket



Pole mount
Bracket



Scan for multi
language information

TITAN ATEX AC + 24V Pendant Floodlight

Ideal for wet locations and hose down environments



ZONE 1



DUST
ZONE 21

Features:

- ATEX certificated Gas Zone 1 and Dust Zone 21
- High strength aluminium housing
- Explosion proof
- Ideal for areas requiring frequent on and off of lights or constant lighting
- 100-227V AC or 24V models
- Heavy duty and High Impact Design
- Perfect for Marine, wet locations and hose down environments.



	Specification	
	High: 5820	
	80 degrees	
	100-277V AC	24V
MODE	High	
	IP66	
	220x220mm	
	10.4kg	
CODE	SA-TITAN-PENDANT	SA-TITAN-PENDANT24

Previously: NSSAFA-AC-FLO-230V | NSSAFA-AC-FLO-24V

CERTIFICATION:



Optional brackets available,
special order only:



Bracket



Bracket
with loop



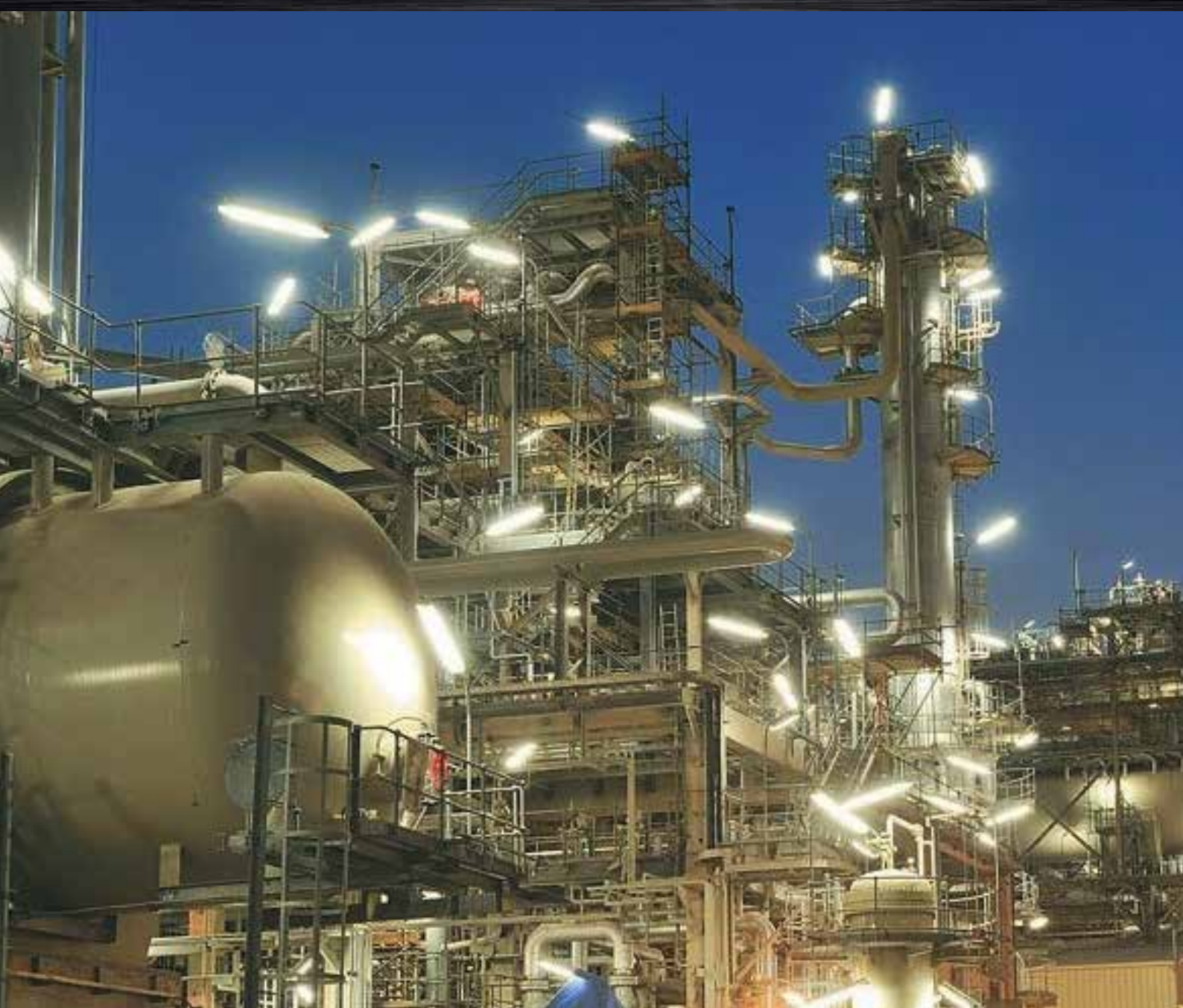
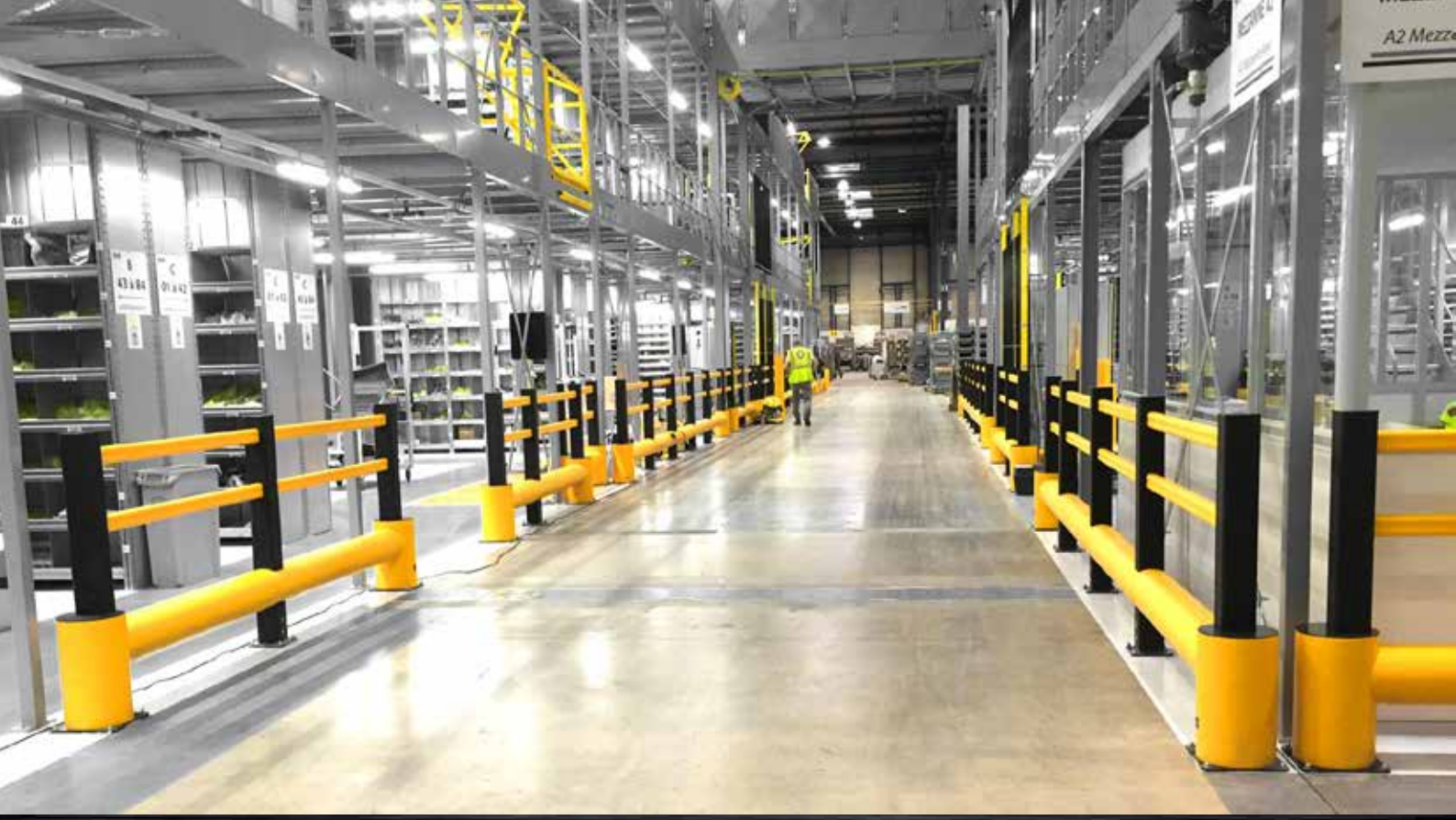
Stanchion
Bracket

ATEX Zone 1 & 21 and 2 & 22
 II 2 G Ex db op is IIC T* Gb
 II 2 G Ex tb op is IIIC T* Db
 FILE NUMBER: EPT 18 ATEX 2977 X

Gas: Ex d IIC T6 T4 Gb
 Ex tb IIIC T80°C T130°C Db IP66
 IECEx CQM 15.0039X



Scan for multi
language information



TITAN ATEX Linear Light

Ideal for illuminating walkways, corridors and long and large open areas



ZONE 1








**DUST
ZONE 21**

Features:

- ATEX certificated Gas Zone 1
- High strength Aluminium housing
- Impact resistant diffused lens
- Stainless steel bracket for ceiling mount
- Professional light distribution, uniformed illumination
- Single-ended feed-through cable or double ended optional
- Temperature class T6
- Standard 6-12KV surge protection
- Supplied with 0.6m cable



Specification

	High: 7380lm 60W
	110-277V 50/60Hz
MODE	High
	IP66
	1285x126x88mm
	7.5kg
CODE	SA-TITAN-LINEAR

Previously: NSSAFA-AC-FLO-LIN-1281

CERTIFICATION:



ATEX



ATEX Zone 1 & 21 and 2 & 22

⊕ II 2 G Ex emb IIC T6 Gb
⊕ II 2 D Ex tb IIIC T80°C Db IP66
LCIE 20 ATEX 3006 X

Ex eb mb IIC T5 T6 Gb
Ex tb IIIC T80°C Db
IECEx LCIE 20.0018X



Scan for multi
language information





United Kingdom

Unit 4, Applied House, Fitzherbert Spur,
Farlington, Hampshire, PO6 1TT, UK
+44 (0)23 9238 9774
sales@nightsearcher.co.uk
www.nightsearcher.co.uk

EUROPE

Garbary 53,
61-869 Poznan, Poland
+48 61 624 29 98
exportsales@nightsearcher.com
www.nightsearcher.com

GERMANY

Nightsearcher Lichttechnik GmbH
Stadtweide 17, 46446 Emmerich am Rhein
Kleve, Deutschland
+49 282 2602 3110
info@nightsearcher-lichttechnik.de
www.nightsearcher-lichttechnik.de

