

Introducing the Domestic and Commercial S-Series® Lifts

A space-efficient lift for a new class of vehicles.



Model shown
S2036X

The Vapor Ricon S-Series® lifts elevate the industry standard for excellence

The S-Series offers fully automatic solid and split platform options featuring the security of the industry-leading Vapor Ricon Safety Zone. Compact and simple to operate, the innovative S-Series lift design provides unobstructed access and egress to vehicles.



Performance, reliability and value

Vapor Ricon S-Series wheelchair lifts formed the catalyst, setting the industry standard for performance, value and ease of use. These innovative design features include::

- Unparalleled interior access.
- Non-intrusive space-saving footprint.
- Easy operation and maintenance.
- Full after sales service package.
- Providers to Local Authorities, NHS Trusts and Care Homes.



Advanced Vapor Ricon technology features reliable performance and user-friendly design

- Split-platform design enables clear access to vehicle interior.
- Simple and reliable operation providing convenient vehicle access.
- Pre-lubricated bearings at all major pivot points for long-term durability.
- High gloss, polyester powder coat finish resists corrosion.
- Individual Vehicle Approval (IVA) compliant lifts available.
- 5-year Limited Warranty.
- Plug and Play interface for Vapor Ricon door openers and remote control (system only).
- Automatic inboard rollstop – features quiet patented Sto-loc™ self-operating mechanism.
- Antimicrobial coating – to handrails (optional extra).

Standard (E, P, T and some S models)



Standard 4-switch hand pendant



Outer rollstop with durable skids



Externally located manual back-up lever in case of power loss



Navy/dark grey colour

X-specification (X and some S models)



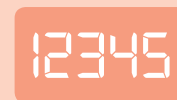
Top mounted magnetic hand control pendant complete with isolation switch



Outer rollstop with built-in ski wheels offering unrivalled performance



Power pack cover houses manual back-up lever in case of power loss



Cycle counter – provides for more accurate information for service and maintenance teams.



Rollstop alarm system – limits platform travel when not locked into position.

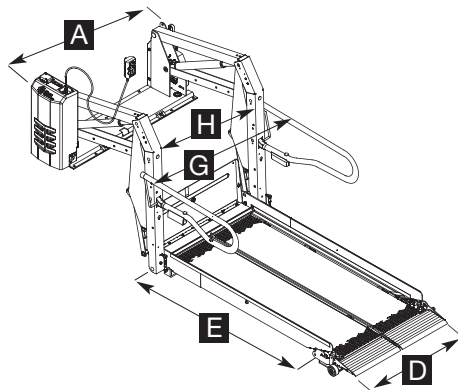


Emergency release allowing full lift deployment for rapid vehicle evacuation (optional extra).



Silver/light grey colour

Dimensions (mm)



Model	Standard Platform Type	Safe Working Load (Kg)	A Stationary Frame Width	B Height when stowed (Inc initial travel)	C Installation Depth (When Stowed)	D Usable Platform Width	E Usable Platform Length	F Floor-to-Ground Travel	G Travelling Frame Width	H Clear Entry Width (Deployed)	I Walk Through Lift Width (When Stowed)	J Lift Weight Circa (Kg)
S1132	Split	350	1041	1041	445	660	953	686	851	686	368	137
S1200	Solid	350	1143	1194	356	749	1105	787	965	787	n/a	150
S1231	Split	350	1158	1158	483	762	1041	787	953	787	457	144
S2005	Solid	350	1194	1397	356	813	1283	1067	1016	838	n/a	165
S2006	Solid	350	1397	1397	368	991	1219	1067	1194	1029	n/a	170
S2010	Solid	350	1270	1450	380	864	1350	1067	1067	890	n/a	173
S2014	Solid	500	1384	1600	368	1003	1499	1067	1219	1029	n/a	195
S2036	Split	350/500	1194	1397	483	813	1295	1067	1105	838	495	165
S2037	Split	350	1230	1390	450	860	1320	1067	1130	890	585	185
S2038	Split	500	1194	1710	483	813	1600	1067	1105	838	495	193

Other sizes available



FAIVELEY VAPOR RICON EUROPE LIMITED,
 Falcon Works, Meadow Lane, Loughborough, LE11 1HS, UK
 Tel: + 44 (0) 1509 635 920 Fax: + 44 (0) 1509 261 939
 E-mail: sales@vaporricon.co.uk Web: www.vaporricon.co.uk

Copyright 2018 Ricon Corporation. Ricon, Clearway and Sto-Loc are trademarks and S-Series is a registered trademark of Ricon Corporation. All Rights Reserved. This publication contains information accurate at the time of printing. Although descriptions are believed to be correct, complete accuracy cannot be guaranteed. Ricon UK reserves the right to make changes from time to time, without notice or obligation, in prices, specifications, colours and materials, and to change or discontinue models. See your dealer or Ricon UK representative for complete details.

