



**RAMP GLOBALTEC**

STRENGTH BY DESIGN



**TACTICAL  
PRODUCT RANGE**





## RAMP GLOBALTEC

**For many years the Ramp Globaltec team has continually been involved in the latest products and technologies, including such leading edge concepts as **VIRTUS UK Future Soldier** development.**

In support of the ranges offered by our partner companies like Due Emme (Italy), Ramp Globaltec are widening the breadth of engineered products exponentially.

These latest Plastic & Metal products and technologies are being targeted as value added opportunities in the Military and Defence industries all over the world.

We at Ramp continue to focus on finding world class technology and will continue to develop a broadening line of products for today's demanding Military, Police and medical applications.

At Ramp Globaltec we target innovative solutions that meet the needs of our customers, wherever they may be.

You can count on our continued efforts.

### **OUR PRODUCTS ARE USED IN MANY DIFFERENT APPLICATIONS:**

- Gun slings
- Holsters
- Backpacks
- Load carrying systems
- Pouches
- Travel bags.

STRENGTH BY DESIGN

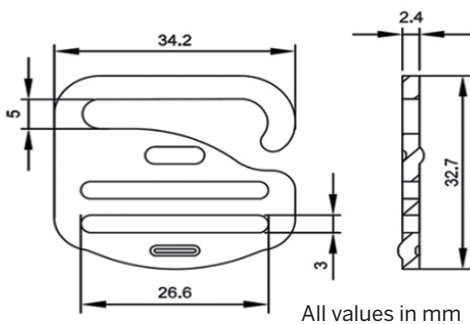
# G-HOOKS



## G-Hook 25

G Hook style for higher strength applications unsuitable for a plastic part.

This hook supports a strong and flat connection to a 25mm webbing.



**PART NUMBER: GH 25**

Kg = Lowest expected breaking strength

Material	Weight	Strength	Coating
Steel	12g	100kg	E-Coating

COLOUR OPTIONS





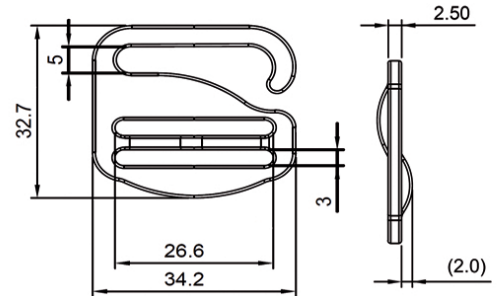
# G-HOOK



## G-Hook 25 Wave

Advanced G-Hook style with a waved central adjuster bar for added grip and reduced slippage.

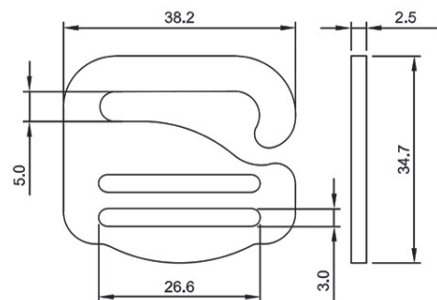
This hook offers a flat and strong connection and an improved adjustment to a 25 mm webbing.



All values in mm

## G-Hook 25 Extra

Superstrong G-Hook style offers the same function as the standard G-Hook but with a double tensile strength.



All values in mm



COLOUR OPTIONS



**PART NUMBER: GH 25(W)**

Kg = Lowest expected breaking strength

Material	Weight	Strength	Coating
Steel	13g	100kg	E-Coating



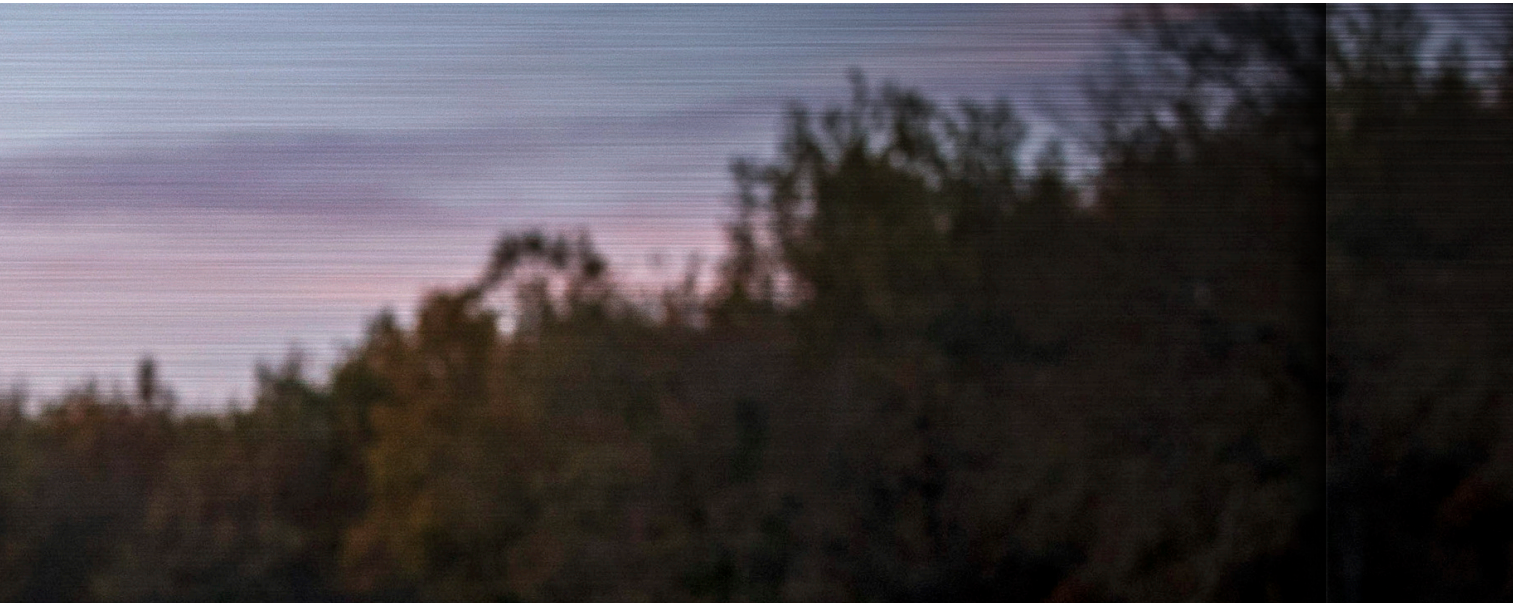
COLOUR OPTIONS



**PART NUMBER: GH 25(X)**

Kg = Lowest expected breaking strength

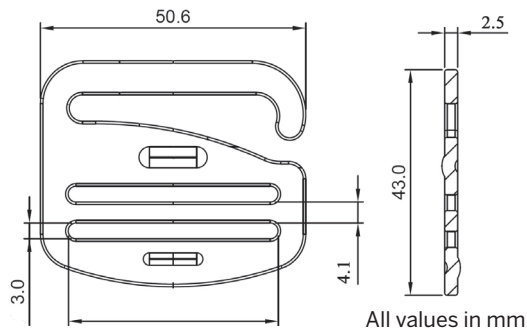
Material	Weight	Strength	Coating
Steel	17g	200kg	E-Coating



## G-Hook 40

G-Hook style for advance application where higher load and performance is required.

This bigger 40mm version can be used with 38mm webbing width also and is ideal for slings.



**PART NUMBER: GH 40**

Kg = Lowest expected breaking strength

Material	Weight	Strength	Coating
Steel	29g	120kg	E-Coating

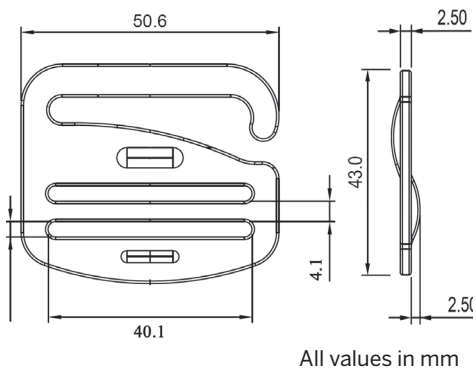
COLOUR OPTIONS



## G-Hook 40 Wave

Advanced G-Hook style with the waved adjuster bar to increase grip and reduce slippage.

Ideal for applications with regular on/off loading.



**PART NUMBER: GH 40(W)**

Kg= Lowest expected breaking strength

Material	Weight	Strength	Coating
Steel	29g	120kg	E-Coating

COLOUR OPTIONS





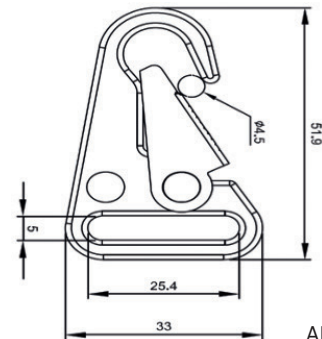
# CLASH HOOK



## Clash Hook 25

HK Style Snaphook

This hook offers a flat and strong connection from a 25 mm webbing to eyelets or loop connection points.

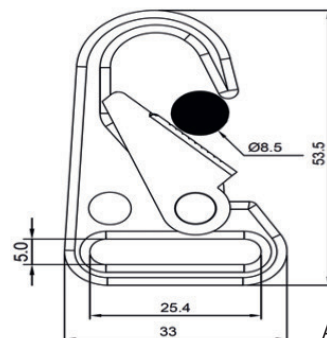


All values in mm

## Clash Hook 25 9mm

HK Style Snaphook with extra wide gate opening.

This hook offers a flat and strong connection from a 25 mm webbing to eyelets or loop connection points up to 8.5mm.



All values in mm



COLOUR OPTIONS



**PART NUMBER: CLH 25**

Kg = Lowest expected breaking strength

Material	Weight	Strength	Coating
Steel	27g	250kg	E-Coating



COLOUR OPTIONS



**PART NUMBER: CLH 25/9**

Kg = Lowest expected breaking strength

Material	Weight	Strength	Coating
Steel	27g	250kg	E-Coating

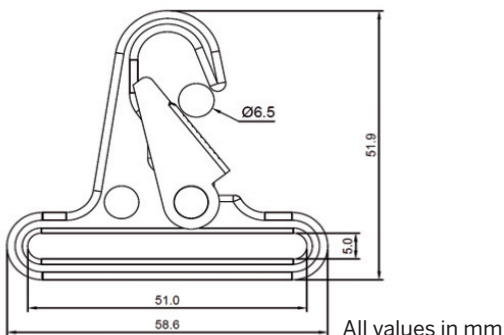
# CLASH HOOK



## Clash Hook 50

50mm HK Style Snaphook

With this hook users will get the same features as using the standard CLASH hook but in coalition with a 50mm webbing.



**PART NUMBER: CLH 50**

Kg = Lowest expected breaking strength

Material	Weight	Strength	Coating
Steel	33g	200kg	E-Coating

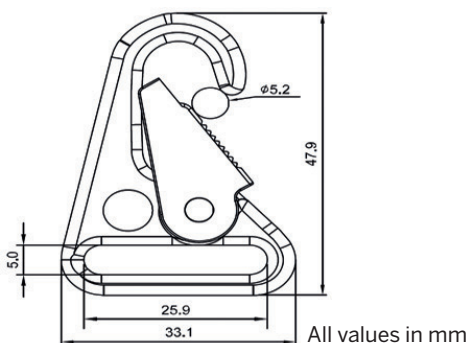
COLOUR OPTIONS



## Clash Hook 25 Lite

Lite option of an HK Style Snaphook

Same features as using the standard CLASH hook with a reduced part weight at a competitive price.



**PART NUMBER: CLH 25 (L)**

Kg = Lowest expected breaking strength

Material	Weight	Strength	Coating
Zinc Alloy	17g	70kg	E-Coating

COLOUR OPTIONS



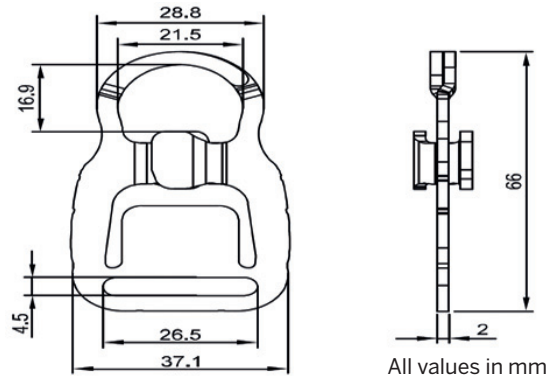


# MASH HOOK

## Mash Hook 25

Advanced designed gun sling hook.

Avoids gate failures by product design.



COLOUR OPTIONS



**PART NUMBER: MA 25**

Kg = Lowest expected breaking strength

Material	Weight	Strength	Coating
Steel	27g	130kg	E-Coating





# ARMOR HOOKS



## Armor 40 Hook

Plastic covered 40mm steel hook

Used for luggage and other applications where strength and design counts.

**PART NUMBER: AH 40**

Kg = Lowest expected breaking strength

Material	Weight	Strength	Coating
Steel / POM	33g	125kg	E-Coating



COLOUR OPTIONS



## Armor 40 D-Ring

Plastic covered 40mm D-Ring

This product works in perfect combination with our Superstrong Hook 40 as a unique designed set.

**PART NUMBER: ADR 40**

Kg= Lowest expected breaking strength

Material	Weight	Strength	Coating
Steel / POM	12g	125kg	E-Coating



COLOUR OPTIONS





# S-BINER



## S-Biner

Available in 3 sizes, the iconic S-Biner design allows quick and easy attachment using its unique double-gated design.

The high-quality, durable Stainless Steel body in a variety of sizes and that are individually weight rated, creating a perfect way to hold, secure, and connect everything from keys to water bottles to gear.

Also available in Aluminium

Size #2	Dimensions (mm)	Material	Weight	Strength
	22 x 50 x 6	Stainless Steel	7g	4.5kg
Size #3	Dimensions (mm)	Material	Weight	Strength
	30 x 68 x 7	Stainless Steel	14g	11kg
Size #4	Dimensions (mm)	Material	Weight	Strength
	40 x 90 x 8	Stainless Steel	30g	33kg



COLOUR OPTIONS

PART NUMBER: SB  
Kg = Lowest expected breaking strength

## S-Biner Slidlock

Also in 3 sizes, This Aluminium S-Biner features a SlideLock mechanism that allows each gate to be locked independently to keep all your items confidently secured.

Also available in Stainless Steel

Size #2	Dimensions (mm)	Material	Weight
	23 x 50 x 10	Aluminium	4g
Size #3	Dimensions (mm)	Material	Weight
	31 x 68 x 11	Aluminium	9g
Size #4	Dimensions (mm)	Material	Weight
	42 x 91 x 14	Aluminium	19g



COLOUR OPTIONS

PART NUMBER: SBS  
Kg = Lowest expected breaking strength

# SHIELD BUCKLE T9



## Shield Buckle T9

A new adaptation of the popular Metal belts buckles, but lighter, smoother and more user friendly for a clothing application. The T9 is still loaded to 250Kg force which is more than adequate for most personal Load Carriage Applications, Tactical Belts and others.



COLOUR OPTIONS



<b>Size</b> 25mm	<b>Dimensions (mm)</b> 40 x 55 x 10	<b>Material</b> Aluminium	<b>Weight</b> 38g	<b>Strength</b> 250kg
<b>Size</b> 38mm	<b>Dimensions (mm)</b> 50 x 60 x 10	<b>Material</b> Aluminium	<b>Weight</b> 48g	<b>Strength</b> 250kg

**PART NUMBER: T9**

Kg = Lowest expected breaking strength





# RAMP GLOBALTEC

STRENGTH BY DESIGN

**Mike Ridler**  
DIRECTOR

Ramp Global Technology Ltd  
21 Freelands Road  
Cobham, Surrey KT11 2NA  
**UNITED KINGDOM**

Mob : + 44 (0) 7831 259501

Email : [mike@ramp-globaltec.co.uk](mailto:mike@ramp-globaltec.co.uk)

**Andreas Pless**  
DIRECTOR

Ramp Global Technology GmbH  
An den Römertürmen 4  
63543 Neuberg  
**GERMANY**

Tel : +49 (0) 6183 807594

Mob : +49 (0)172 6971647

Email : [andreas@ramp-globaltec.de](mailto:andreas@ramp-globaltec.de)

To see our full product and service portfolio, please visit us at:

**[WWW.RAMP-GLOBALTEC.COM](http://WWW.RAMP-GLOBALTEC.COM)**

