



**KARTSANA**

Life-moving innovation

## ***SUPERBRAVA***

Maximum robustness, safety and maneuverability

stretcher, more resistant, safe and maneuverable.

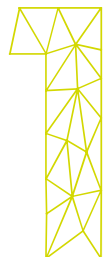


Benefit from the best features offered by the new KARTSANA stretcher

### ***SUPER STRONG***

#### **OPTIMUM PERFORMANCE**

Strong and robust structural design. Easy maintenance and repair.



### ***SUPER SAFE***

#### **MAXIMUM SECURITY**

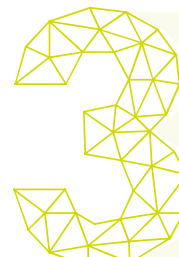
Maximum control. Systems that guarantee the safety of emergency technicians and patients.



### ***SUPER EASY***

#### **EXCELLENT MANOEUVRABILITY AND COMFORT**

Ease of use even in difficult situations. Stability, amplitude and adaptability for patient comfort.



Discover the new KARTSANA electric

## **SUPERBRAVA**

In an emergency situation, the Emergency Medical Technician's sole objective is to save lives.

Today's ambulances must have excellent equipment to care for patients, so why not offer the best transport that is hassle-free, easy and focused on patient care?

It allows Healthcare Technicians to do their job without impediments.



## **SUPERBRAVO**

The key anchorage of the SUPERBRAVA, for effortless and safe loading and unloading of the stretcher.

# **SUPERBRAVA**

Decades of experience, know-how  
and excellent product engineering





# SUPER STRONG

## Optimum performance

Strong and robust structural design. Easy maintenance and repair

# SUPER BRAVA



### Increased load capacity

Hydraulic lifting system allows 320 kg to be lifted without assistance



### More stability

Wider base for greater support and stability



### Battery optimisation

A single battery with extra capacity that reaches 130 empty cycles



### Polyvalent guardrails

Adjustable handrails with 6 positions and capacity to accommodate bariatric patients



### Maximum durability

Protective bumpers for LEDs and handles



### Ease of maintenance

More accessible, easy to install and replace spare parts



### Rainwaterproof

Watertight, easy-to-clean design

# SUPER BRAVO



### Robust structure

Can support 400 kg without deformation



### Maximum load resistance

Removable telescopic sides over 1930 mm

# 2 SUPER SAFE

## Maximum security

Maximum control. Systems that guarantee the safety of emergency technicians and patients



### Manual control in case of failure

Manual engine release by means of an engine clutch system



### Visibility on the road

Emergency lights for safety



### Battery charge control

Flashing lights when the stretcher is not receiving charge from the ambulance



### Electromagnetic compatibility

In compliance with R10 regulation



### Integrated battery charging system

Automatic charging in the ambulance



### Increased road safety

UTAC 20G certification

# 3 SUPER EASY

## Excellent usability

Easy to use and handle



### Increased loading height

1090mm loading height for higher ambulances and bumpy terrain



### Electronic articulated headrest area

Electronically articulated by means of keyboard in the headrest area



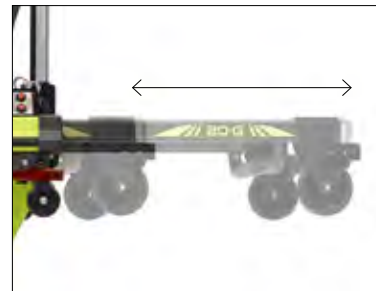
### Functional control panel

Control panel with touch buttons and second keypad to facilitate the work of the TES



### More comfortable and wider stretcher

More space according to UNE-EN 1865-1 standard and 120 mm wide headrest



### Optimisation in narrow spaces

Telescopic headrest profile for manoeuvring in reduced spaces



### Easier and safer handling

Integrated carrying handle for front transfer of the patient



### Optimisation of ambulance space

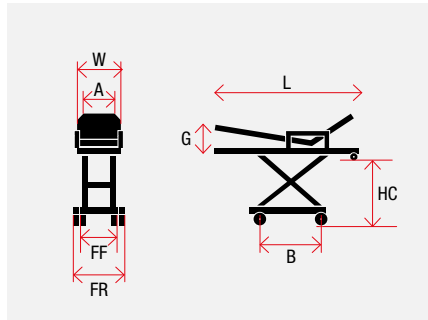
Robust and adjustment-free sideshift system



### Increased protection for ambulances

Integrated telescopic system with more stroke for easier loading in ambulances and to safeguard bumper

## SUPER BRAVA vs. POWER BRAVA



		POWER BRAVA	SUPER BRAVA	Δ
<b>W</b>	Width table patient area (mm)	574	590	16
<b>A</b>	Headrest width (centre tube) (mm)	425	545	120
<b>L</b>	Total length (mm)	1972	2090	118
<b>G</b>	Leg rest angle	15°	20°	5°
<b>HC</b>	Load height (mm)	1030	1090	60
<b>FR</b>	Rear chassis width (mm)	453	510	57
<b>FF</b>	Front chassis width (mm)	380	408	28
<b>B</b>	Distance between axles (mm)	905	1057	152
	Weight (Kg)	74	76	2

## ACCESSORIES



Utility tray



Fixing for Corpuls



Pushing poles



Battery charger



Bariatric kit



Paediatric adapted mattress

**SUPERBRAVA**



**KARTSANA**



[www.kartsana.com/en/superbrava](http://www.kartsana.com/en/superbrava)

**KARTSANA**

