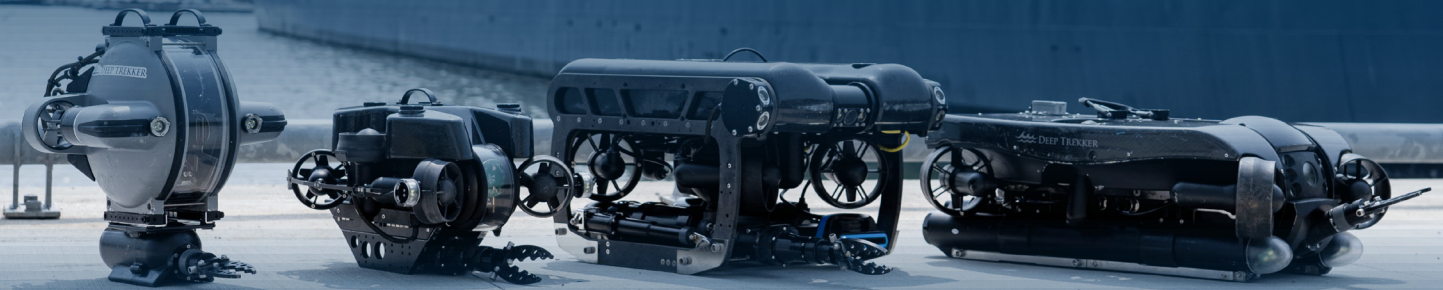


ROV CATALOG

REMOTELY OPERATED VEHICLES

Innovative solutions for all applications and industries. Built for the harshest environments. Engineered for versatility and ease-of-use. Making your missions easier than ever before.



Designed with the Toughest Jobs in Mind

Deep Trekker ROVs are engineered to get the job done, with the perfect balance of rugged construction and cutting-edge technology, all backed by the best customer service in the industry. Built from industrial grade stainless steel, anodized machined aluminum, and protected by lightweight carbon fiber, our ROVs are constructed to withstand the harshest environments.



Magnetically Coupled Thrusters



Low Maintenance



Industry Expertise

Complicated Missions Unlocked

Use our built-in Mission Planner to plot GPS or feature-based waypoints and depths. Set your Deep Trekker to traverse automatically with the ability to monitor and intercept in real time. Deep Trekker's Mission Planner allows you to pre-plan and visualize your work to ensure that the job is done completely and accurately.



Mission Planning



Semi-Autonomous Navigation



Automatic Stabilization



Advanced Sonar, Navigation and Sensor Integration

Locate and identify targets easily and seamlessly with our direct sonar, perception systems, and multi-sensor positioning integrations. Ideal for broad search, advanced modelling, and low-visibility, we have an ROV for nearly every mission.



Modular Tools & Accessories

Deep Trekker ROVs are designed with flexibility and modularity in mind. This allows for simple integration of a range of add-ons such as perception systems, manipulators, environmental monitoring and sampling devices, and many more industry-specific tools.



THE INDUSTRIES WE SERVE

Versatile, rugged vehicles engineered with cutting-edge technology for a broad range of underwater applications and industries.



Aquaculture



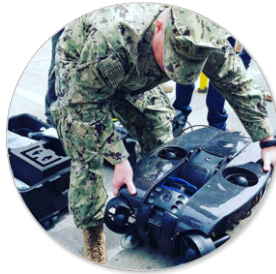
Maritime



Public Works



Law Enforcement



Defense



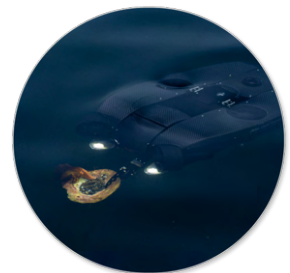
Search & Recovery



Energy



Offshore



Ocean Science

CUSTOMER TESTIMONIALS

Hear what other professionals in your industry are saying about how Deep Trekker ROVs have helped enhance their operations.

“ Site Manager @ Exelon

There are many qualities an ROV manufacturer can have that are desirable, and a big one that Deep Trekker hits is service and support. Questions and issues are resolved very timely keeping us in the field performing inspections, thus keeping jobs on time.

”



“ Operator @ Pittsburg Tank & Tower

Best customer service I have ever experienced. These guy's products work beyond compare and they will help you in any way possible with any question you have. Blew my mind when the owner of the company actually called me himself and has emailed me several times to assist with questions. We just started using them but we will be changing our entire fleet to Deep Trekker due to their superb products and the fact that you know you are dealing with a company that actually cares and wants to do everything they can to help their customers. Outstanding company.

”

“ Shipyard Manager @ Foss Maritime

After tracking the first year of ROV use, Foss realized an astounding actual and measurable impact...which was double original predictions.

”



REVOLUTION

REMOTELY OPERATED VEHICLE

The most capable and portable ROV available, this lightweight micro-ROV offers advanced inspection, modelling and search capabilities in the smallest possible package. With stable and rugged design, this compact powerhouse can handle even the most challenging tasks from a single case.



To learn more visit
deeptrekker.com

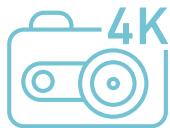


REVOLUTION

REMOTELY OPERATED VEHICLE



The most intuitive and stable ROV for complex underwater missions. Ideally suited for search and recovery missions, offshore wind, oil, and gas inspections, commercial diving operations, and more.



260 Degree 4K
Rotating Camera



Depth Rating to
305m (1000 ft)



Navigation &
Stabilization Control



Automatic
Controls

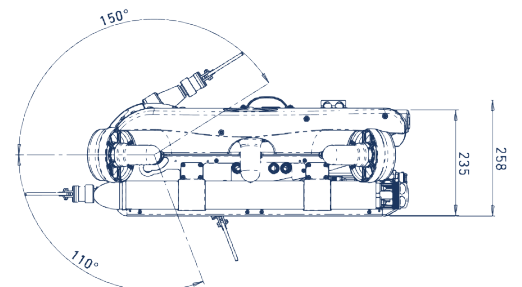
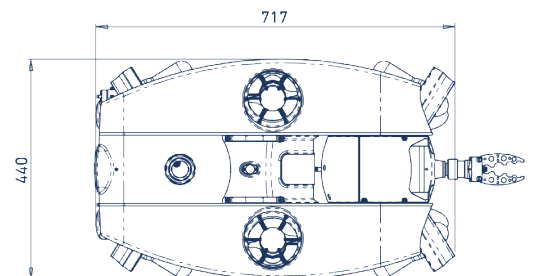
GENERAL SPECIFICATIONS

ROV General Specs

Width :	440 MM (17.3")
Height :	235 MM (9.3")
Length :	717 MM (28.2")
Weight (in air) :	26 KG (57 LB)
Body Material :	Anodized Machined Aluminum, Carbon Fiber, Stainless Steel, & Buoyancy Foam
Lens Cover Material :	Sapphire
Depth Rating :	305 M (1000 FT)
Operating Temp :	-10°C to 50°C (14°F – 122°F)
Case :	Customized Pelican 1650 & 1560
Drives/Thruster:	Magnetically Coupled/Sealed
Warranty :	1 Year – Parts and Labor (optional 2-3 yrs)

ROV Electrical System

System Voltage :	22.2 VDC
Thruster Control :	6x Independently Controlled Infinitely Variable 100% Reversible
Power Options:	Battery or Direct Power

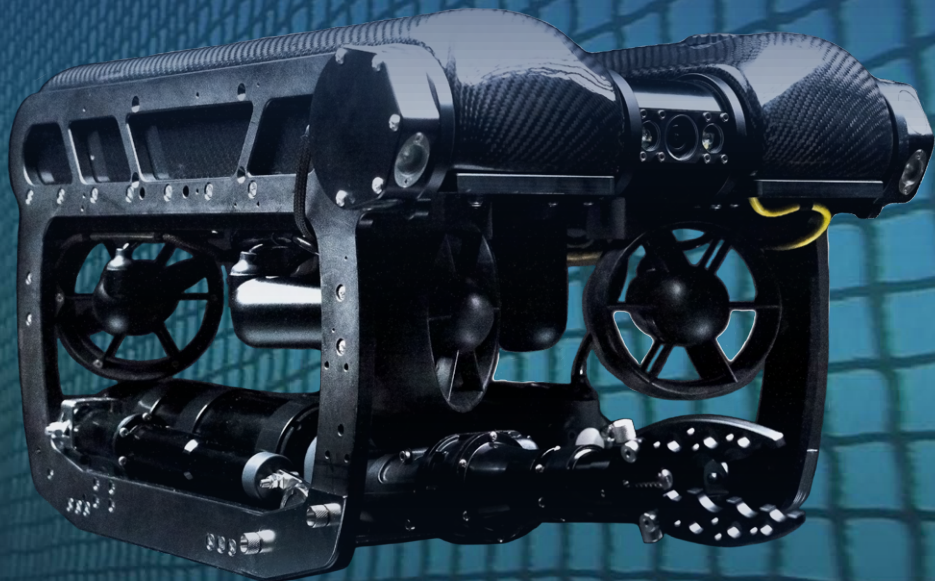


Deep Trekker reserves the right to amend these specifications at any time without notice.

PIVOT

REMOTELY OPERATED VEHICLE

Striking the perfect balance between size and power. Equipped with 6 vectored thrusters and a flexible rotating tool platform, the PIVOT provides users with modularity, power, speed and control in a portable package.



To learn more visit
deeptrekker.com

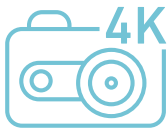


PIVOT

REMOTELY OPERATED VEHICLE



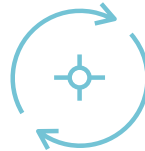
Six strong thrusters offer users stability, speed, and precise control. Ideally suited for offshore inspections, ocean science exploration, port and harbor defense, commercial diving, and more.



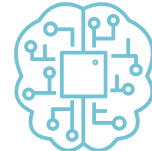
200 Degree 4K
Rotating Camera



Depth Rating to
305m (1000 ft)



Rotating Tool
Platform

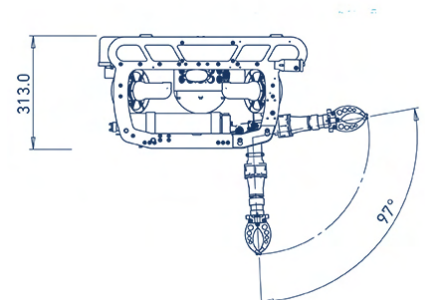
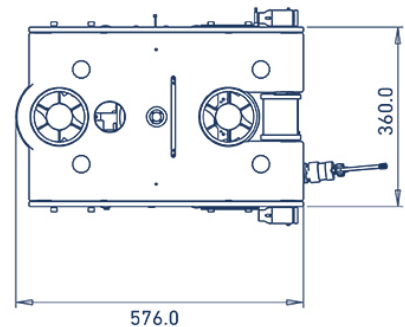


Comprehensive
Sensor Integration

GENERAL SPECIFICATIONS

ROV General Specs

Width :	360 MM (14.2")
Height :	310 MM (12.2")
Length :	576 MM (22.7")
Weight (in air) :	17 KG (37 LB)
Body Material :	Anodized Machined Aluminum, Carbon Fiber, Stainless Steel, & Buoyancy Foam
Lens Cover Material :	Sapphire
Depth Rating :	305 M (1000 FT)
Operating Temp :	-10°C to 50°C (14°F – 122°F)
Case :	Custom Pelican Air 1650 & 1560
Drives/Thruster:	Magnetically Coupled/Sealed
Warranty :	1 Year – Parts and Labor (optional 2-3 yrs)



ROV Electrical System

System Voltage :	19.6 VDC
Thruster Control :	6x Independently Controlled Infinitely Variable 100% Reversible
Power Options:	Battery or Direct Power

Deep Trekker reserves the right to amend these specifications at any time without notice.

PHOTON

REMOTELY OPERATED VEHICLE

The most capable and portable micro-ROV. Stable and rugged design. Advanced inspection, modelling and search capabilities in the smallest possible lightweight package. This compact powerhouse can handle even the most challenging tasks from a single case.



To learn more visit
deeptrekker.com



PHOTON

REMOTELY OPERATED VEHICLE



Built with carbon fiber and anodized aluminum that ensures durability in the harshest conditions. Ideally suited for hull, port security, hydroelectric, and infrastructure inspections, ocean exploration, and more.



Flexible Power Options



6 Vectored Thrusters



Extremely Compact

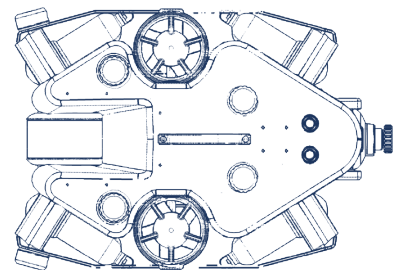


Autonomous Navigation

GENERAL SPECIFICATIONS

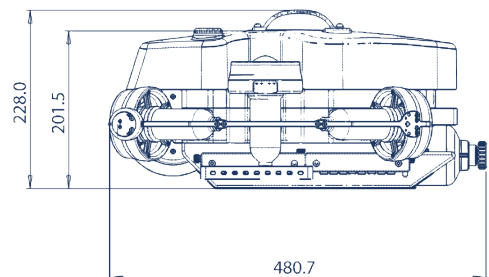
ROV General Specs

Width :	333.2 MM
Height :	228 MM
Length :	480.6 MM (22.7")
Weight (in air) :	11.6 KG (25.6 LB)
Body Material :	Anodized Machined Aluminum, Carbon Fiber, Buoyancy Foam
Window Material :	Acrylic
Depth Rating :	120 M (400 FT)
Operating Temp :	-10°C to 50°C (14°F – 122°F)
Case:	Customized Pelican
Drives/Thruster:	Magnetically Coupled/Sealed
Warranty :	1 Year – Parts and Labor (optional 2-3 yrs)



ROV Electrical System

System Voltage :	19.2 VDC
Thruster Control :	6x Independently Controlled Infinitely Variable 100% Reversible
Power Options:	Battery or Direct Power



Deep Trekker reserves the right to amend these specifications at any time without notice.

DTG3

REMOTELY OPERATED VEHICLE

Built for quick deployment and reliable underwater missions in the harshest environments. The DTG3 boasts a rugged integrated thruster design in an anodized aluminum body. The unique pitching system design makes the DTG3 the most nimble and maneuverable ROV available.



To learn more visit
deeptrekker.com

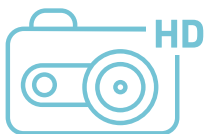


DTG3

REMOTELY OPERATED VEHICLE



Built for quick deployment and reliable underwater surveys and inspections. Ideally suited for hull and workboat inspections, port and harbor security inspections, infrastructure inspections, ocean exploration, and more.



270 Degree Rotating
HD Camera



Depth Rating to
200m (656 ft)



Auto Heading/
Depth



Active Yaw
Stabilization

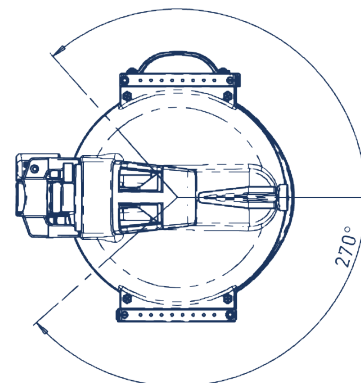
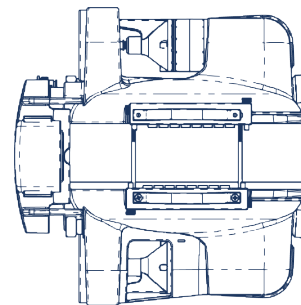
GENERAL SPECIFICATIONS

ROV General Specs

Width :	325 MM (12.8")
Height :	258 MM (10.2")
Length :	279 MM (11.0")
Weight (in air) :	8.5 KG (18.7 LB)
Body Material :	Die Cast Aluminum
Window Material :	Acrylic
Depth Rating :	200 M (656 FT)
Operating Temp :	-10°C to 50°C (14°F – 122°F)
Case:	Custom Pelican Air 1637
Drives/Thruster:	Magnetically Coupled/Sealed
Warranty :	1 Year – Parts and Labor (optional 2-3 yrs)

ROV Electrical System

System Voltage :	19.2 VDC
Thruster Control :	6x Independently Controlled Infinitely Variable 100% Reversible



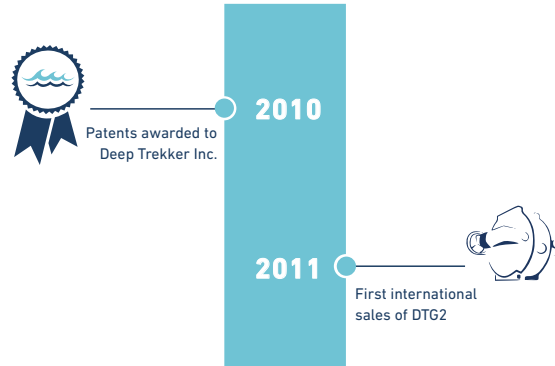
Deep Trekker reserves the right to amend these specifications at any time without notice.

COMPARING DEEP TREKKER ROVS

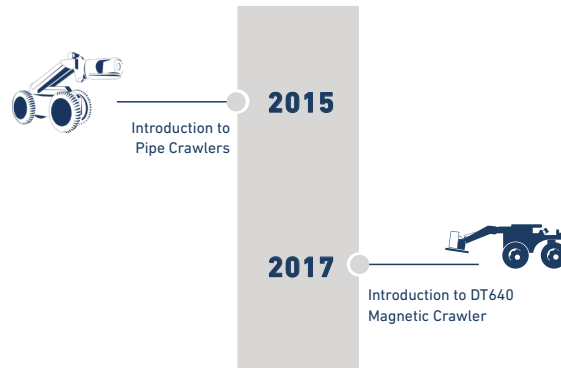
	DTG3	PHOTON	PIVOT	REVOLUTION
				
Depth Rating	200M (656 ft)	120 m (400 ft)	305M (1000 ft)	305M (1000 ft)
Number of Thrusters	3	6	6	6
Vectored Thrusters	No	Yes	Yes	Yes
DVL Compatible	No	Yes	Yes	Yes
Weight	8.5 kg	11.6 kg	16.8 kg	26 kg
Batteries Swappable	Hybrid Power	Yes	Yes	Yes
Recharge Time	Hybrid Power	2.5 Hrs	1.5 Hrs	3 Hrs
Direct Power Option	No	Yes	Yes	Yes
Sonar Rotation	180°	Fixed	97°	260°
Camera Rotation	270°	200°	220°	260°
Attachment Tilt Angle	180°	Fixed	97°	260°
Laser Scaler	25 MM	30 MM	30 MM	100 MM
QR Code				

A BRIEF HISTORY INNOVATIVE ROBOTIC SOLUTIONS

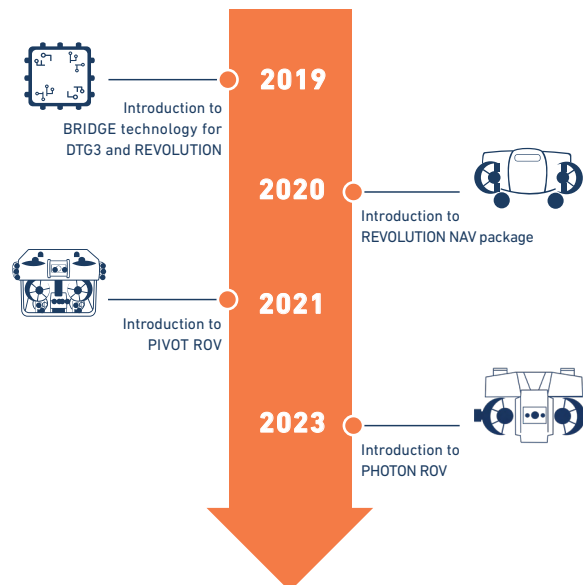
Development



Expansion



Product Expansion





Concerned with costs?
Want to accomplish more tasks robotically?
Talk to our Industry Specialist for more information.

deeptrekker.com
sales@deeptrekker.com

Deep Trekker robots are designed with the customer in mind, providing innovative solutions for a broad range of industries. Rugged and built for even the harshest environments Deep Trekker ROVs are engineered for versatility and ease-of-use.

UNDERWATER REMOTELY OPERATED VEHICLES

With nearly fifteen years of experience, Deep Trekker, a Canadian-based company, stands as a global leader in underwater ROV manufacturing. Deep Trekker takes pride in delivering high-quality, robust, and portable underwater robots that cater to diverse industries. From aquaculture to municipal contracting, military and defense, search and recovery, shipping, infrastructure, and beyond, our innovative solutions are tailored to meet the unique needs of each sector.

Head Office

155 Washburn Dr.
Kitchener, ON
Canada

Chile Office

Ruta 5 Sur KM 1025 Bodega 5
(Megacentro1) Puerto Montt,
Los Lagos, Chile

Italy Office

Via G. Falcone 86
25016 Ghedi (BS)
Italy

