

BETA



CLIMBING DESIGNS

Product range



Beta Climbing Designs has been designing and manufacturing high quality climbing and remote access equipment for over 20 years.

Our in-house design and production workshop, based in Sheffield UK, enables us to constantly innovate our range of products. This also allows us to offer custom work for clients who have specific needs.

We are a committed team that shares a passion for climbing and quality equipment. All our products are designed and made by climbers who have a wealth of knowledge and experience in both climbing and high access scenarios, to create optimal equipment. These unique products have benefitted climbers as well as operatives in rescue,

telecommunications, utilities, tactical and arbor industries worldwide.

Our designs are both functional and effective, creating a safer environment for the specialist user. The initial specialist design that Beta Climbing Designs created has been continuously improved. Our considerable experience in design and manufacturing has enabled us to become the global market leaders in remote reach solutions.

We always try our best to meet our customers' expectations and greatly value all support and feedback to develop customer based initiatives for innovation and safety in the remote reach sector.



EVO Range



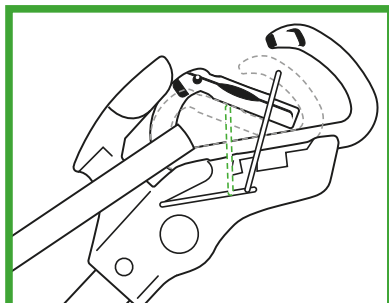


4
sizes
available

EVO Range

Designed for smooth and efficient remote clipping of fixed anchors.

- Our newest model EVO CLIMB has been designed with climbing in mind
- Specifically enhanced pole design to prevent spinning with secure flip lock mechanisms and a stiffer, more durable build quality
- A dual positioned sprung gate trap to securely retain karabiners and maximise a smooth clipping action
- Compatible with a wide range of snap gate karabiners – both solid and wire gate
- Ergonomically angled head to easily access bolt hangers in difficult clipping situations
- Capacity for lasso clipping and quickdraw removal
- Integral hooking feature for rope retrieval
- Clips to harness for 'bolt-to-bolting'
- The Compact, Standard and long is not recommended for lead climbing.



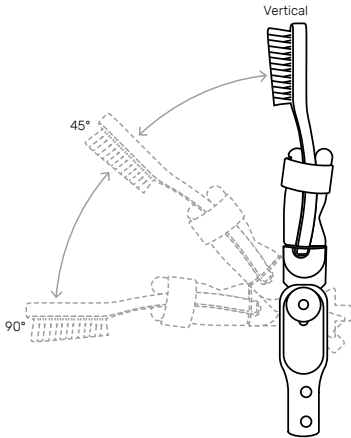
BETA Brush stick





Brush responsibly

Designed to clean out-of-reach holds, brushing away dirt, dust and excess chalk.



- Compresses to 86cm to fit inside most standard bouldering mats
- BCD brush is supplied with each BrushStick for optimal brushing performance
- Designed to be compatible with a range of current bouldering brushes
- Head angle is easily adjusted and securely locked to 3 positions -vertical, 45 & 90 degrees.

BETA Brush



Access Range



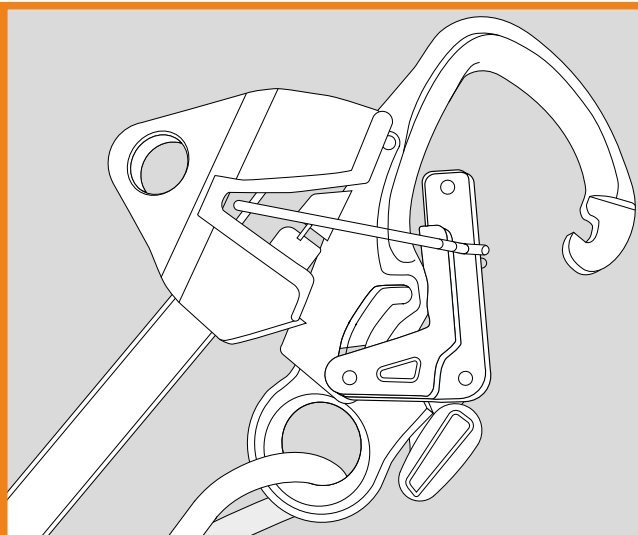


3
sizes
available

Access Range

Designed for remote reach access
for rescue and working at height.

- Channelled pole sections designed to reduce flex and twist
- Double internal pole collar for added stiffness
- External pole section locking mechanism
- Protective vinyl end cap
- Six section flip lock, terminating at 15mm diameter for additional strength
- 2.7mm stainless steel gate trap
- Nylon 6 orange head
- Designed specifically for use with EN 362 triple locking/ double action and captive eye karabiners.



Access Pro





Pro Pole

Specifically designed adjustable fliplock mechanism.

- 1mm extruded aluminium pole section
- Anodised black
- Adjustable external flip lock
- Channelled pole section reduces flex and twist
- Protective vinyl end cap
- Fitted with a bonded and pinned screw fitting, compatible with all Pro Modular Heads.

Access Pro Pole Range

Pro Pole Standard

Compacted = 63cm
(extends to 310cm)
Weight 520g

Pro Pole Long

Compacted = 100cm
(extends to 542cm)
Weight 820g

Pro pole Extreme

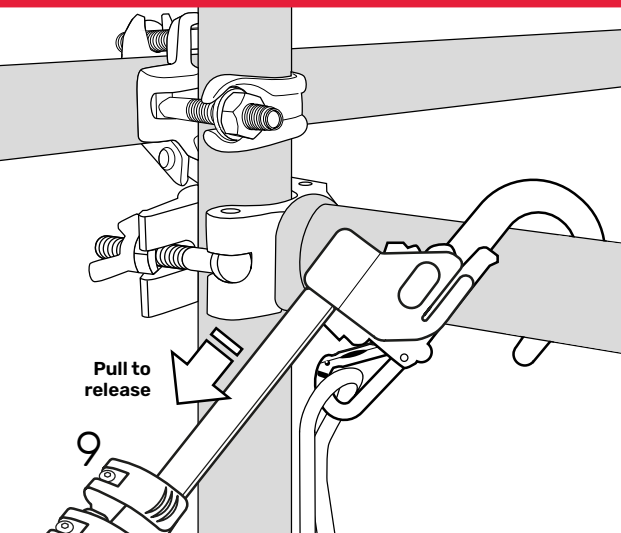
Compacted = 183cm
(extends to 800cm)
Weight 1.75kg



Scaffold Pro Head

Works with our 3 sizes of modular pole - all round solution for working at height.

- Designed for large aluminium double action flanged scaffold hooks e.g. IKAR no. IK V03
- Modular and compatible with all Pro Reach Poles
- Machined from marine grade 5083 aluminium
- Harness clip compatible
- Colour anodising is non conductive, non corrosive and wear resistant.

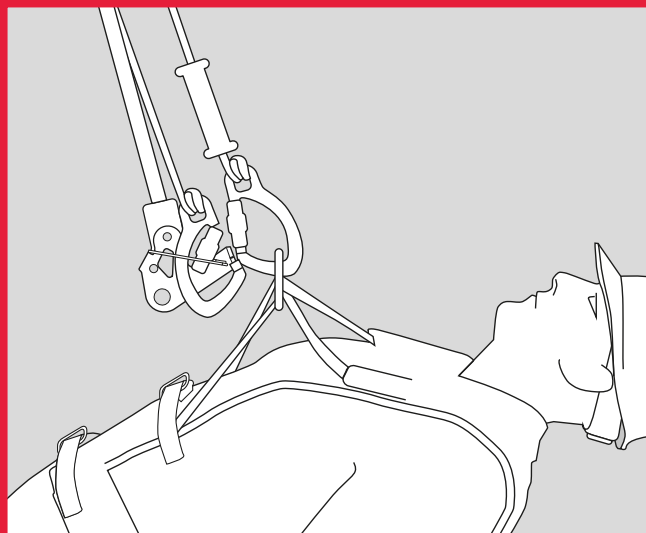




Access Pro Head

Designed to work with our 3 sizes of modular pole - all round solution for working at height.

- Designed to work with EN362 3-way Twist Lock and 2-way Trigger Lock Karabiners, with or without captive eyes stopped and double action
- Modular and compatible with all Pro Reach Poles
- Machined from Marine Grade 5083 Aluminium
- Can be clipped to a harness
- Integrated stainless steel tempered gate trap
- Colour anodising is non conductive, non corrosive and wear resistant.

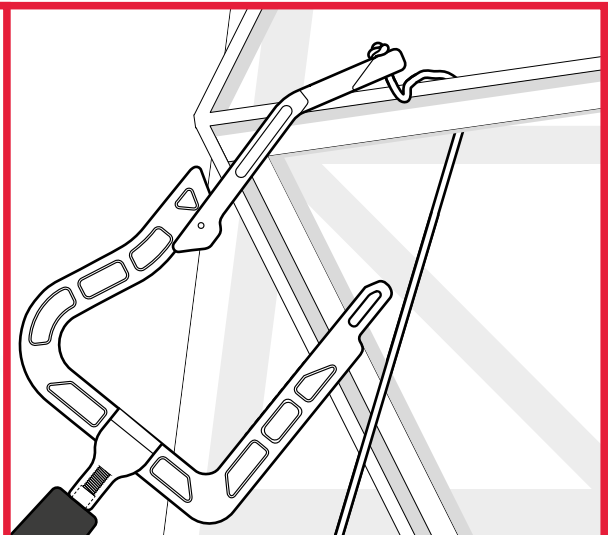




Access Pro Threader

Designed for Utilities, Arbour, Tactical, Rigging, Fire & Rescue and Technical rescue.

- For working at height where a rope needs to be threaded over a beam
- Head design is compatible with all 3 pro poles
- Gate open aperture 65mm
- Manufactured from Stainless steel, Nylon and Marine grade Aluminium
- Can be clipped to a harness
- Patent pending.





Access Carry bag

Designed to carry and protect the beta access poles.

- Vinyl bag edged with black nylon tape
- Available in orange or fluorescent green
- Logo and max extension details screen printed in black
- Black vinyl on reverse side
- Fastex buckle to secure bag closed
- Shoulder strap for easy carrying (25mm webbing)
- Hang point to attach to a harness





Stash Bag

Perfect for the climbing gyms/
gear organising/cragsacs.

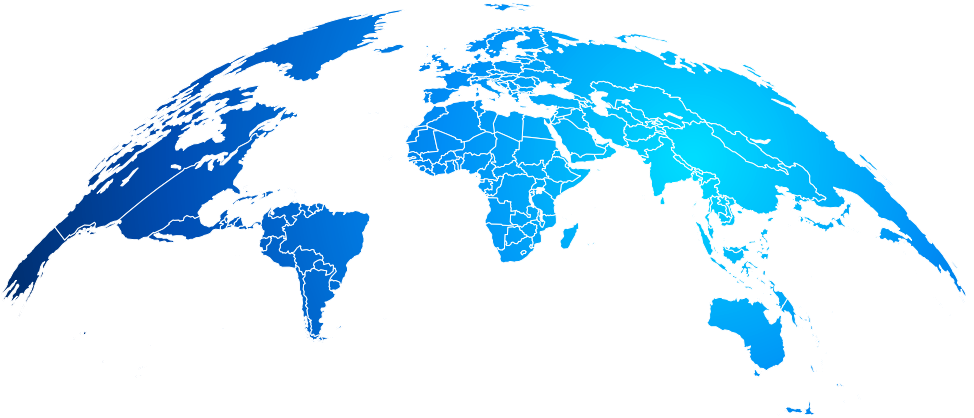
- Compressible roll top
- Bag for life
- Internal key/wallet clip
- 20 Ltr capacity
- Over the shoulder or inside your bouldering mat







Distributors



At the heart of our operation at Beta Climbing Designs is our international distributors with representation in over 30 countries. Our partners support has helped to establish us as the world leader in remote reach solutions.

Australia

Intertek Pty Ltd

Belgium

Axis Round Edges

Brazil

Hi Tec Enterprises

Bulgaria

Vertical World

Canada

Technical Access Group

Croatia

Igloo Sport

Chile

Hi Tec Enterprises
Trango

Cyprus

Lella Kentonis
Investment

Czech Republic

Singing Rock

Denmark

Gubbies - Sensing
Climbing

Finland

Aalto Group Oy

France

Amwear

Greece

MV Trade (Kalymnos)

Germany

Aliens

Hong Kong

Altisafe

Ireland

Beta Outdoor Sports

India

Hal Corp

Italy

LDR

Mexico

Hi Tec Enterprises

Norway

XC Sports

Netherlands

Axis Round Edges

Poland

Trafo Base camp

Singapore

Kinetics Climbing

Slovakia (Access)

Capital Safety Group
3M

Spain

Esportiva

Sweden

High Sport

Switzerland

MB Mountain Gear

South Korea

MNS Global

South East Asia

Altisafe

South America

Hi Tec Enterprises

UK Contacts (Access)

Beta Outdoor Sports

USA

Trango

Please get in touch if you would like to become part of our expanding global team.

Product range and specifications

EVO Range

EVO Climb	Compacted = 46cm (extends to 147cm)	Weight 281g
Ultra Compact	Compacted = 55cm (extends to 238cm)	Weight 415g
Super Standard	Compacted = 74cm (extends to 374cm)	Weight 600g
Ultra Long	Compacted = 113cm (extends to 648cm)	Weight 930g

BETA Brush stick

BrushStick	Compacted = 86cm (extends to 264cm)	Weight 560g
-------------------	-------------------------------------	-------------

BETA Brush

Boar hair, wedged head and recurved handle	Length = 17.5cm	Weight 35g
--	-----------------	------------

Access Range

Compact	Compacted = 46cm (extends to 196cm)	Weight 370g
Standard	Compacted = 63cm (extends to 310cm)	Weight 520g
Long	Compacted = 100cm (extends to 542cm)	Weight 820g

Access Pro Range

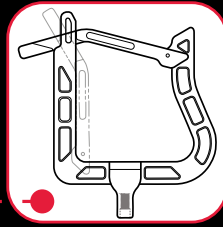
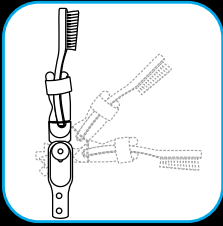
Pro Pole Standard	Compacted = 63cm (extends to 310cm)	Weight 520g
Pro Pole Long	Compacted = 100cm (extends to 542cm)	Weight 820g
Pro pole Extreme 8m	Compacted = 183cm (extends to 800cm)	Weight 1.75kg

Access Carry Bag

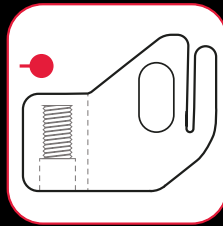
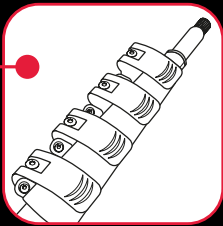
Compact:	Length = 54cm	Weight 180g
Standard:	Length = 72cm	Weight 230g
Long:	Length = 115cm	Weight 320g

Bespoke Design and Rapid Prototyping

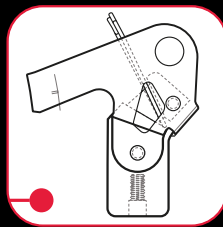
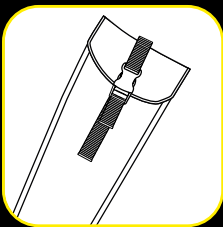
We offer custom design and rapid prototyping for clients with specific needs.



Access Pro Threader



Scaffold Pro



Access Pro Head

BETA  **CLIMBING
DESIGNS**  

Beta Climbing Design. 44 Broadfield Road, Lowfield, Sheffield S8 0XJ
hello@betaclimbingdesigns.com • Tel: +44 (0) 114 255 8882

betaclimbingdesigns.com

© All Copyrights & design rights reserved to Beta Climbing Designs Ltd April 2023