



TRANSFORMING PRESSURE INTO SOLUTIONS SINCE 1950

COMPANY PROFILE

WWW.OMFB.COM





OMFB Hydraulic Components spa was founded in **1950** as a company for the production of PTOs (spare parts and power take-offs for trucks), hand pumps, and hydraulic components for operating hydraulic equipment on industrial vehicles, mainly tippers and cranes. Tireless in innovating its products, in the 60s it introduced the mini DC and AC power unit to the production range.

The continuous focus on the innovation and quality of the products had been awarded to OMFB in **1992 as the first Italian Company** of the sector to get the ISO 9001 Certification.

OMFB took an important evolutionary step toward the end of the 90s with the start of production, in addition to the already present gear pump, of bent axis piston pumps '**BENT Axis HD**' and with the introduction, at the beginning of the **2000s**, of the first electronic products.

In **2012** the quality system of OMFB had been certified with DNV ISO/TS 16949:2009.

During the last decade OMFB worked on a strong structural growth becoming an important player of the Market and competing with the Worldwide leaders of the Market segment.

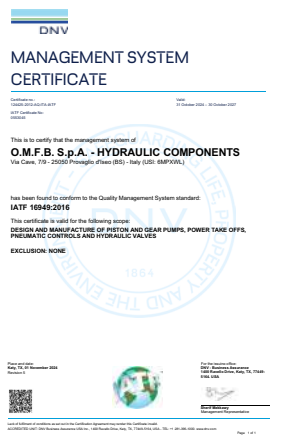
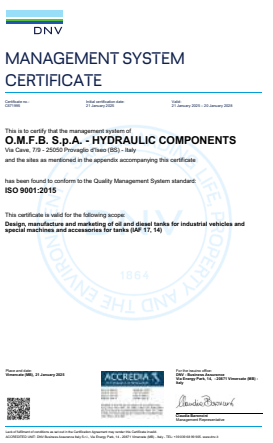
In **2015** the Company **DAL BARCO**, leader in the tank for oil and diesel production, had been acquired and become part of the OMFB Group. In **2017** with the target to complete the electro-hydraulic products lines OMFB found the Company **VBR**, specialized in electro-hydraulic proportional valves and directional valves.

The **2020** is the year of the introduction on the Market of the new lines PDV (directional proportional valves). The opening of two new production plant (**Gere1, Gere2**), allow to concentrate the electronic production, R&D, Sales & Marketing, and the new Position Sensors line.

Today OMFB is a Global player, with the capability to supply to the Mobile Market mechanical parts, electro-pneumatic / hydraulics components and electronics sensors, managing and controlling the functionality of the whole machine.

In **2024 OMFB** has obtained ISO 14001 Environmental Management System Certification.

In **2025 OMFB** has obtained the ISO 9001:2015 Certification for the TANKS division.



OMFB at Glance

- over 450 Employees
- Production plant (5 sites)
- 8 international branches
- 45 product lines
- Export 80%

PTO – power take off's hydraulic components

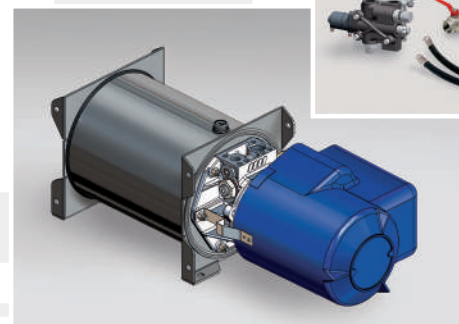
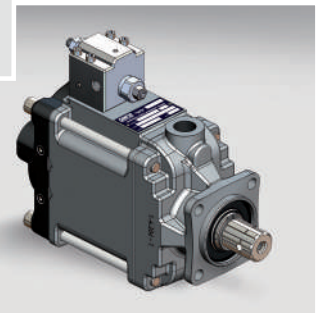
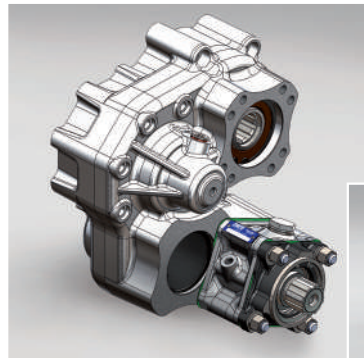
OMFB offer a wide range of hydraulic components and PTO power take off with mechanical, electric, pneumatic, depression and friction coupling for the most important International Brand of industrial vehicles on the Market.

Main products

- HYDRAULIC GEARS PUMPS
- CONSTANT DISPLACEMENT PISTONS PUMPS
- VARIABLE DISPLACEMENT PISTONS PUMPS
- BENT AXIS PISTON MOTORS "HPM"
- HYDRAULIC VALVES
- ON/OFF AND PROPORTIONAL PNEUMATIC DIVERTERS
- HAND HYDRAULIC PUMPS WITH/WITHOUT TANK
- HYDRAULIC POWER UNIT
- ALUMINUM / STEEL TANK FOR INSTALLATION IN ANY POSITION
- WET KITS FOR HEAVY DUTY TRUCKS

Application field

- TIPPERS
- ARCHES AND ROLL-OFFS
- AERIAL PLATFORMS
- RESCUE TRUCKS
- TANKS
- COMPACTORS
- CAR MARKET
- SNOW PLOUGHS
- INDUSTRIAL APPLICATIONS



Proportional control valves

Series: PDV 37 - PDV 74 - PDV 114 - PDV 315

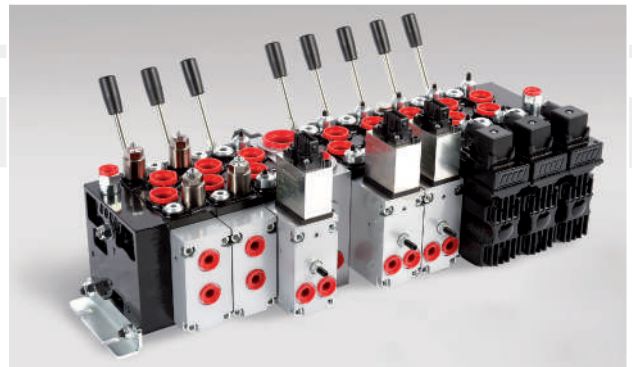
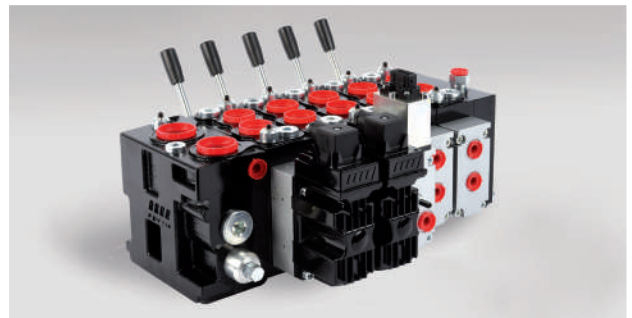
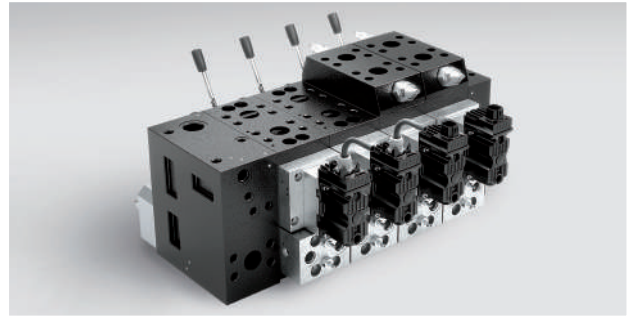


The **PDV** technology platform is the most advanced configuration system for proportional directional valves. Take machine control to the highest level of performance, reliability, and safety.

Based on **LOAD SENSING** technology, they are products with advanced hydraulic features that meet the increasingly high market demand, for machines with better productivity, safety, energy efficiency, and respect for the environment.

They provide a wide choice of control options and are also designed for use in hazardous areas, according to Atex 2014/34/EU and IECEx regulations.

- **HYDRAULIC VALVES**
- **DIRECTIONAL CONTROL VALVES**
- **HYDRAULIC INTEGRATED CIRCUITS**
- **CARTRIDGE VALVES**



Transducers

Position sensors



Transducers and Sensors - Serie 7

Based on the latest modern technologies, the sensors transducers of the 7 series are detecting-measuring the physical parameters of the position of the different parts of the machines/equipment.

Through the control system the position signal achieves an accurate management of the performances of the machines/equipment, in terms of operating efficiency and safety level. They provide the most common electrical signal interfaces and they are designed following the international standards for agriculture, construction, forestry and mobile machines.

• 7M SERIES

Linear position transducers based on the non-contact magneto strictive technology. They are assembled into a high pressure resistant housing and designed for the typical installation into hydraulic cylinders.

Available with electrical stroke up to 4.000 mm. with absolute analogue and digital output.

• 7A - 7T SERIES

Transmitters and tilt switches for horizontal planarity (X/Y) or vertical angle (Z) control. Based on MEMS technology, with accelerometric or triaxial gyroscopic sensors, they are used to control the planarity of machines.

Programmable measuring range.

• 7D SERIES

Draw wire transducers for linear displacement detection. They are designed using Hall effect electronic and available with the most common output; measuring ranges up to 5.500 mm.

• 7R SERIES

Rotary sensors for the detection of angular movements. Using Hall effect, they are available with 0-360° range, configurable, high resolution; digital and analogue output.

• 7P SERIES

Pressure transmitter for industrial applications and mobile hydraulics, with sensing element directly deposited on the stainless steel diaphragm, measuring ranges up to 1000 bar, SIL2/PLd certified.



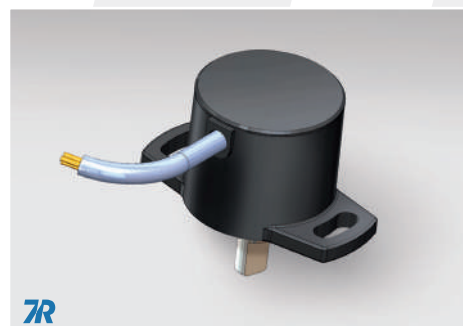
7M



7A - 7T



7D



7R



7P

Tanks for oil and diesel

Special tanks



OMFB tanks - Rovereto plant (TN - Italy)

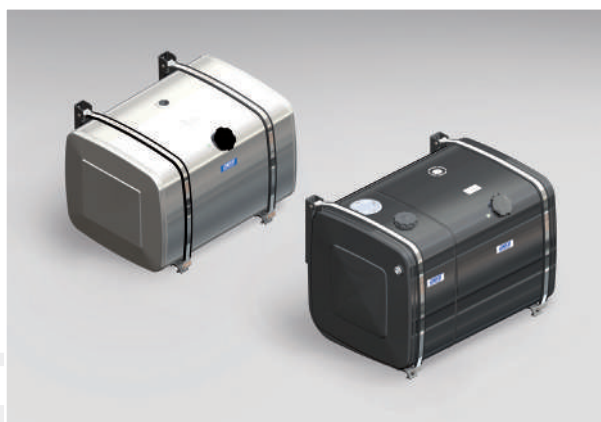
In 2015, **OMFB** acquired the company DAL BARCO, a historic manufacturer of oil and diesel tanks for industrial vehicles, which was then incorporated into OMFB at the beginning of 2022.

The company is specialized in designing and manufacturing tanks, utilizing coated steel, stainless steel and aluminum alloy.

They are suitable for any commercial, mobile and industrial vehicles and they are actually equipping the most important EU brands.

OMFB strength is the focus on the International Standards, on the Certified Quality and their modularity allows a high level of customization satisfying any customer wish.

- **HYDRAULIC OIL TANKS**
FROM 23 TO 250 LITERS
- **FUEL TANKS**
FROM 52 TO 1.000 LITERS
- **COMBINED TANKS**
- **CUSTOM TANKS**



Control valves Hydraulics integrated circuits



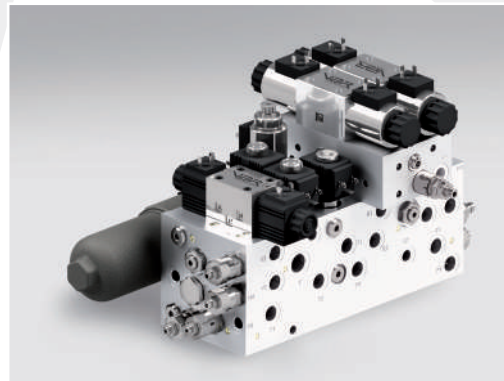
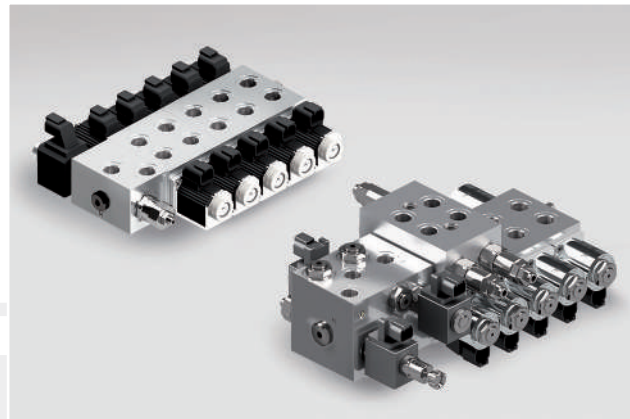
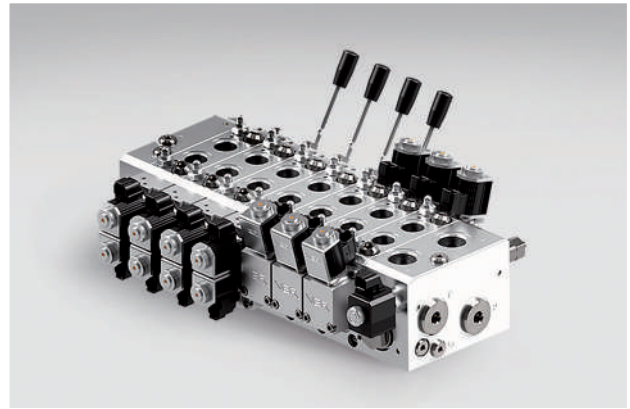
VBR SRL is a company created in 2017 in Reggio Emilia by a group of people with over 25 years of experience in the hydraulic valves sector.

The **VBR** offer a wide range of hydraulic systems and a complete solution to the customer, with a special focus to the customer needs, from the design to the validation of the products.

The high quality of the products design is oriented to the final application and to the complete solution for the customers.

Special attention to the reduction of the overall dimensions, weight, number of components, hydraulic and electrical connections as to minimize the risk of failures and increasing the quality level on the of the complete system.

- **DIRECTIONAL VALVES CONTROL**
- **HIC VALVES**
- **CARTRIDGE VALVES**



Group Synergy



8
INTERNATIONAL
OFFICES

75+
AUTHORIZED
DEALERS

Headquarters:



COMPANY WITH
MANAGEMENT SYSTEM
CERTIFIED BY DNV
ISO 9001 • ISO 14001
IATF 16949

O.M.F.B. S.p.A. Hydraulic Components

Via Cave, 7/9 - 25050 Provaglio d'Iseo (BS) - ITALY
Tel.: (+39) 030 9830611

e-mail: contatti@omfb.it
www.omfb.com



[linkedin.com/company/omfbhydraulics](https://www.linkedin.com/company/omfbhydraulics)



[instagram.com/omfbhydraulics](https://www.instagram.com/omfbhydraulics)



[facebook.com/omfbhydraulics](https://www.facebook.com/omfbhydraulics)



[youtube.com/@omfbhydraulics](https://www.youtube.com/@omfbhydraulics)

Member of OMFB group:



VBR Srl

Via Masaccio, 17
42124 Reggio Emilia - ITALY
Tel.: (+39) 0522 1722340

e-mail: info@vbrhydraulics.com
www.vbrhydraulics.com

International offices:

OMFB FRANCE SAS

Le Grand Planot - 38290 La Verpilliere - FRANCE
Tel: +33 (0)4 691530 91
e-mail: contact@omfb.fr

OMFB IBERTEC, S.L.

Pl. Villalonguejar, C/Condado Treviño nº 4 (nave B1 y B2)
09001 Burgos - ESPAÑA
Tel: +34 947 42 77 01
e-mail: ibertecht@ibertecht.com

CVH - OMFB Limited

Unit 2, Fulwood Rise, Sutton in Ashfield. NG17 2PU - UK
Tel: +44 (0)1773 581 983
e-mail: carl.hinds@cvhomfb.co.uk

OMFB NORDIC OY

33880 Lempäälä - FINLAND
Tel: +358 40 1866 839
e-mail: nordic.sales@omfb.com

OMFB HIDROLİK SANAYİ VE TİCARET LİMİTED ŞİRKETİ

Ikitelli Osb Mah. Tormak S Block Sk. No: 6 İç Kapi No: 6,
34490 Başakşehir/Istanbul - TURKEY
Tel : +90 533 7607095
e-mail: sami.dibek@omfb.com.tr

OMFB INDIA PVT LTD.

Site No 177/178, Survey No.150&151, 11th Main Rd, 3rd Phase,
Peenya Industrial Estate, Bengaluru Karnataka - INDIA
Pin Code: 560058 Tel: +91(0)80 48518023
e-mail: sales@omfbindia.com

O.M.F.B. S.p.A. Hydraulic Components

Shanghai Representative Office - Mr Aston Chen 陈畅源
Room 129, First floor, Building 12#, No. 2777 East Jinxiu Road,
Pudong New District, Shanghai City, 201206 - CHINA
Tel: +86 21 50380223 Mobile: +86 13564770563
e-mail: aston.chen@omfb.com

OMFB PACIFIC PTY LTD

29 Trevi Crescent - Tullamarine 3043 VIC - AUSTRALIA
Tel: +61 (0) 3 9330 2694
e-mail: sales@omfbpacific.com - www.omfbpacific.com