

# MAS/MAC

## Hydraulic Integrated Solution (HICs)

### Wide range

Specialized in Hydraulic Integrated Circuits (HICs), enabling customers to leverage our extensive cartridge/modular/CETOP valve portfolio to develop innovative, high-performance solutions for superior machine control. Flow and pressure ranges can be fully customized to meet specific application requirements.

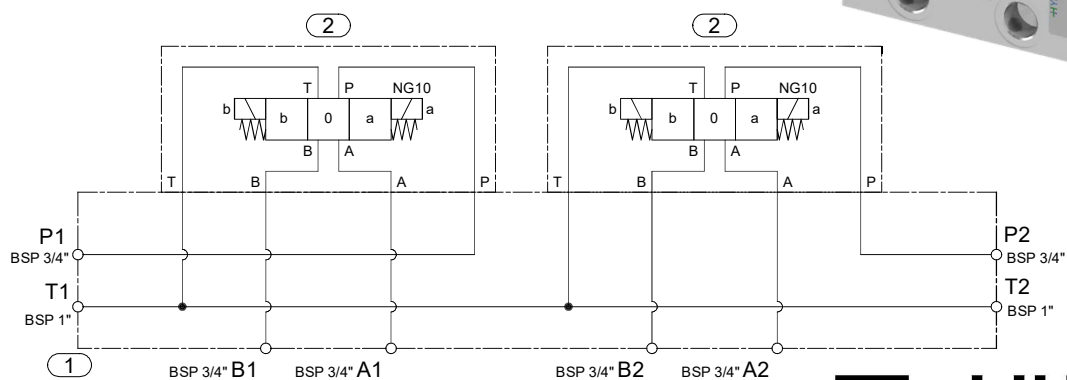
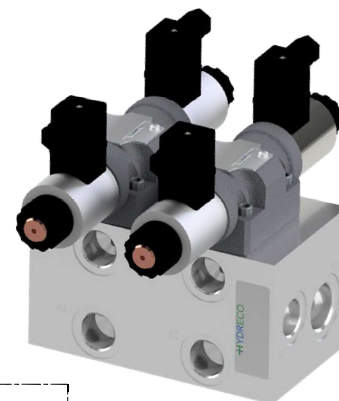
### Features

- Compact, space-saving design
- Reduced leak points for enhanced system reliability
- Easy component replacement and maintenance

### Main Technical Features

Max Flow up to 125 L/min

Max operating pressure 250 bar



**HYDRECO**  
a member of **DAIKIN** group



Scan the QR Code