



ER627H

SDLG Compact Excavator
2.95 t (6,500 lbs) | 15.4 kW (20.7 hp)

● Highlights

- The ER627H is equipped with Kubota engine delivering strong power, exceptional break out force, great handling performance, and smooth and effortless command of the boom offset and swing which is ideal for working in confined spaces.
- Standard machines have X1/X3 pipelines, meeting a wide range of attachments.
- Auxiliary pipelines with 5 quick connectors, allow attachments to be changed quickly and efficiently.
- Equipped with a mechanical suspension seat, which is comfortable and prevents fatigue.
- ROPS certified cab with double rearview mirrors and three LED work lights.
- Filters are centrally located, providing easier maintenance.

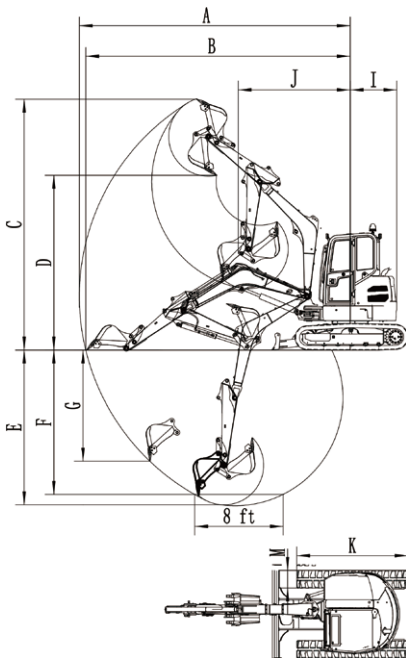


Reliability In Action

ER627H Specifications

Operating weight	kg (lbs)	2,950 (6,500)
Engine model	-	Kubota D1105
Rated power	kW (hp)	15.4 (20.7)
Rated engine speed	rpm	2,400
Displacement	ml (in ³)	1,123 (68.5)
Pump capacity	L/min (gal/min)	70 (18.5)
Main relief set pressure	bar (psi)	240 (3,480)
Max. digging force of bucket	kN (lbf)	24 (5,395)
Max. digging force of arm	kN (lbf)	14 (3,147)
Travel low speed	km/h (mi/h)	2.3 (1.4)
Travel high speed	km/h (mi/h)	4 (2.5)
Gradeability	°	30
Swing speed	r/min	10.5
Blade (width * height)	mm (in)	1,550 (61") * 291 (11.5")
Ground pressure	kPa (psi)	27.9 (4)
Fuel tank	L (gal)	31 (8.2)

Dimensions



Boom length	mm (ft in)	2,130 (6'11.8")
Arm length	mm (ft in)	1,300 (4'3.2")
Bucket capacity	m ³ (yd ³)	0.06 (0.08)
Overall shipping size (L * W * H)	mm (ft in)	4,390 (14'4.8") * 1,550 (5'1") * 2,460 (8'1")
A Max. digging reach	mm (ft in)	4,880 (16'0.1")
B Max. digging reach on ground	mm (ft in)	4,760 (15'7.8")
C Max. cutting height	mm (ft in)	4,410 (14'5.6")
D Max. dumping height	mm (ft in)	3,140 (10'3.6")
E Max. digging depth	mm (ft in)	2,860 (9'4.6")
F Max. digging depth (horizontal 8 ft)	mm (ft in)	2,360 (7'8.9")
G Max. vertical wall digging depth	mm (ft in)	2,100 (6'10.7")
I Tail swing radius	mm (ft in)	775 (2'6.5")
J Min. front swing radius	mm (ft in)	2,240 (7'4.2")
K Undercarriage length	mm (ft in)	1,995 (6'6.5")
M Track width	mm (ft in)	300 (11.8")

*SDLG reserves the right to change specifications and materials at any time without prior notification. Features of the machine in photos may include additional equipment. If you need more information and available options, please contact your local distributor or SDLG.



Congratulations SDLG for winning EFQM Global Excellence Award, one of the top three quality awards in the world.

SDLG is a leading international manufacturer of construction machinery, and the national-level high-tech company, with a wide network of dealerships and service workshops throughout the world.

SDLG Europe B.V.

Head Office: Kelvinstraat 4 Harderwijk Netherlands
Website: www.sdlg.com Email: info@sdlgeu.com