



L959H

SDLG Wheel Loader
18.45 t (40,675 lbs) | 168 kW (228 hp)

● Highlights

- The L959H is equipped with a Perkins engine providing ample power for all applications.
- VRTE205 automatic transmission, KD function, power cut-off function, gears front four and rear four, easy to control, reliable and durable.
- SDLG Reinforced Wet axles provide excellent responsiveness, traction and stability.
- Cab is equipped with optimized air conditioning and air suspension seat with heating.
- ROPS&FOPS certified cab with expanded glass viewing area, rear-view camera, and four LED working lights.
- All pertinent information is monitored by the conveniently located screen within the operator's field of vision.
- Engine and daily maintenance points are easily accessible through the wide-opening rear hood.



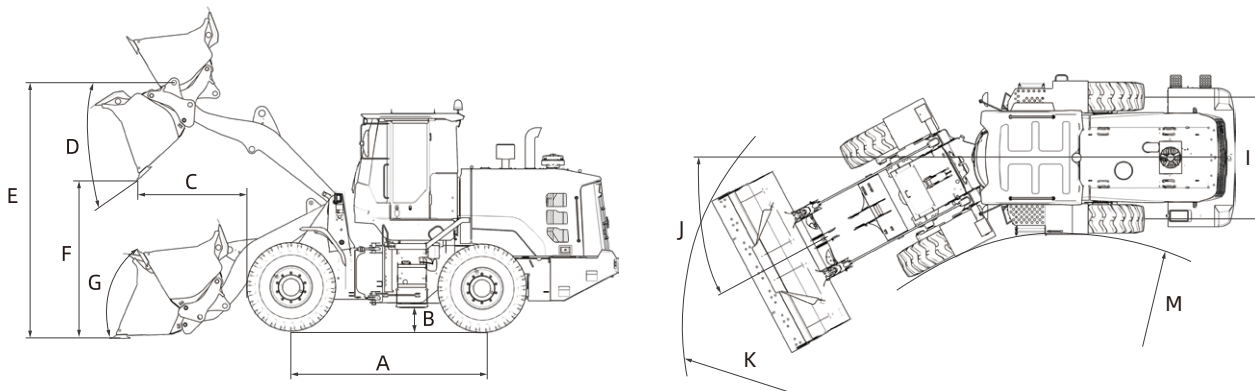
Reliability In Action

L959H

Specifications

| | | |
|--------------------------|-----------------------------------|----------------------|
| Standard bucket capacity | m ³ (yd ³) | 3.6 (4.7) |
| Rated load | kg (lbs) | 5,500 (12,125) |
| Operating weight | kg (lbs) | 18,450 (40,675) |
| Engine model | - | Perkins 1206J-E70TTA |
| Rated power | kW (hp) | 168 (228) |
| Rated engine speed | rpm | 2,200 |
| Engine displacement | ml (in ³) | 7010 (428) |
| Speed at F1/R1 | km/h (mph) | 0 ~ 7 (0~4.4) |
| Speed at F2/R2 | km/h (mph) | 0 ~ 12.5 (0~7.8) |
| Speed at F3/R3 | km/h (mph) | 0 ~ 27 (0~16.8) |
| Speed at F4/R4 | km/h (mph) | 0 ~ 39 (0~24.2) |
| Breakout force | kN (lbf) | 175 (39,342) |
| Tire size | - | 23.5-25 |
| Fuel tank | L (gal) | 300 (79.3) |

Dimensions



| | | |
|-------------------------------------|-----------|--|
| Overall shipping size (L * W * H) | mm(ft in) | 8,320 (27' 3.6") * 3,000 (9' 10.1") * 3,450 (11' 3.8") |
| A Wheelbase | mm(ft in) | 3,400 (11'1.9") |
| B Ground clearance | mm(ft in) | 420 (1'4.5") |
| C Reach at max. height | mm(ft in) | 1,165 (3'9.9") |
| D Dumping angle | ° | 45 |
| E Height at bucket pin | mm(ft in) | 4,205 (13'9.5") |
| F Dumping height | mm(ft in) | 3,130 (10'3.2") |
| G Bucket rollback at ground level | ° | 42 |
| I Wheel tread | mm(ft in) | 2,190 (7'2.2") |
| J Articulation angle | ° | 38 |
| K Turning radius at over bucket | mm(ft in) | 6,980 (20'3.9") |
| M Turning radius at inside of tires | mm(ft in) | 3,560 (11'8.2") |

*SDLG reserves the right to change specifications and materials at any time without prior notification. Features of the machine in photos may include additional equipment. If you need more information and available options, please contact your local distributor or SDLG.



Congratulations SDLG for winning EFQM Global Excellence Award, one of the top three quality awards in the world.

Member of the VOLVO Group since 2006

SDLG is member of the Volvo Group and a leading international manufacturer of construction machinery, and the national-level high-tech company, with a wide network of dealerships and service workshops throughout the world.

SDLG Europe B.V.

Head Office: Kelvinstraat 4 Harderwijk Netherlands
Website: www.sdlg.com Email: info@sdlgeu.com