

MISTRAL+ CONNECT

The most versatile intelligent and connected sorting machine for waste recovery.



FABRIQUÉ
EN FRANCE

Full Package : a complete system



- A unique TÜV certified solution
- Designed for simple integration
- Easy and secure machine access

Low maintenance cost

- Retractable platforms for easy maintenance
- Low replacement rate of wearing parts (electrovalves, lamps)
- Economical Vortex cooling system (no air conditioning)

24/7 Customer Service



- A turnkey offer, including wear parts
- Local & personalised support
- Connected machines: Smart&Share

Unmatched performances

FLOW

DETECTION : a unique design, by Pellenc ST

- + New multi-stream spectrometer
- + Focused light for a more accurate signal
- + Complete coverage of NIR/VIS spectra with a unique spectrometer
- + Optimised Electronic for a better signal/noise ratio

High capacity sorting recognized on the market

- + Turbosorter 3rd generation: 2D Objects stabilisation
- + Top Speed 2nd generation: + 50% capacity with iso performance

4.0 Industry & Services

Sensors to enhance customer relationship

Increased availability

- + Conveyor performance analysis
- + Alert to prevent outputbox jams
- + Assistance in the prevention and prediction of conveyor equipment breakage

Performance Optimization

- + Stream composition monitoring & alerts
- + Stream distribution monitoring
- + Belt cleanness monitoring

Customer Support

- + One year service included
- + Maintenance & Expertise visits
- + Hotline 24/7

Future Proof

- + Upgradability Guarantee
- + Compatibility of all new sensors (AI, Watermarking, IoT,..) as upgrades



Configurations

Widths (mm)

800-1200-1600-2000-2400-2800

Options



Turbosorter



Profile Detection



Dual Eject



Top Speed



Metal sensor



Multi-channel management

Materials

PET, PE, PP, paper, wood, domestic waste, organic, RDF...

Available data

- + Sorting data available locally
- + Communication Protocols : **Modbus, Profinet & OPCUA ready**

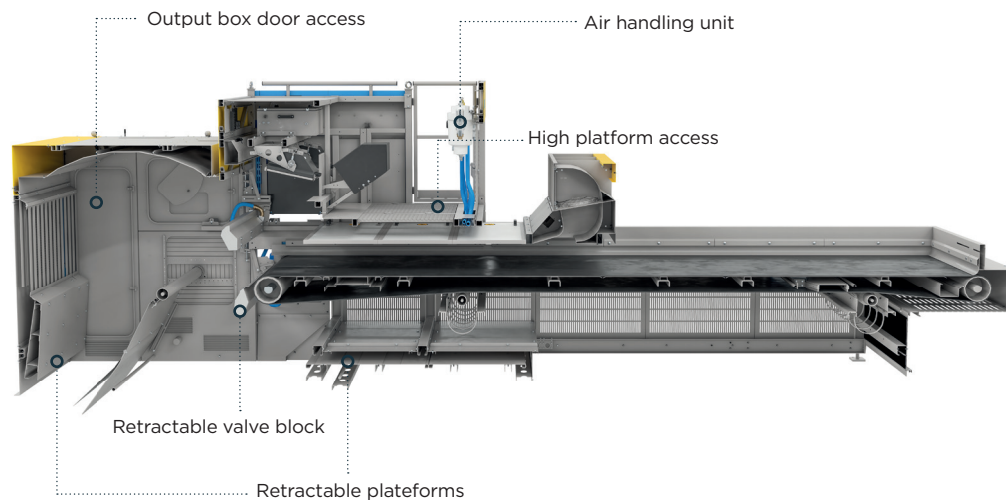


Remote maintenance access



Connectivity **Smart&Share**

Easy, quick & safe maintenance



4 main applications



Valve blocks



Standard : 25mm



High Resolution 12,5mm



High Power : 25mm



Super Power 12,5mm



Robustness

- + Working temperature: **-10°C- +55°C**
- + IP 65
- + Touchscreen

PROFILE DETECTION

Black and inert sorting
Secure & cost-effective technology



Better sorting flexibility
+50% capacity at iso performance



High quality & sorting speed
Robustness: no wearing parts, MTBF>20 000h
Very low energy consumption
Simple integration

FOCUS

