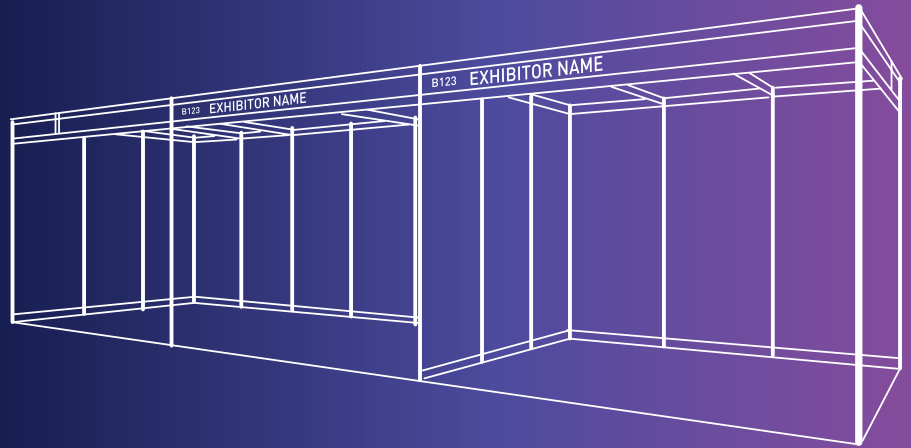
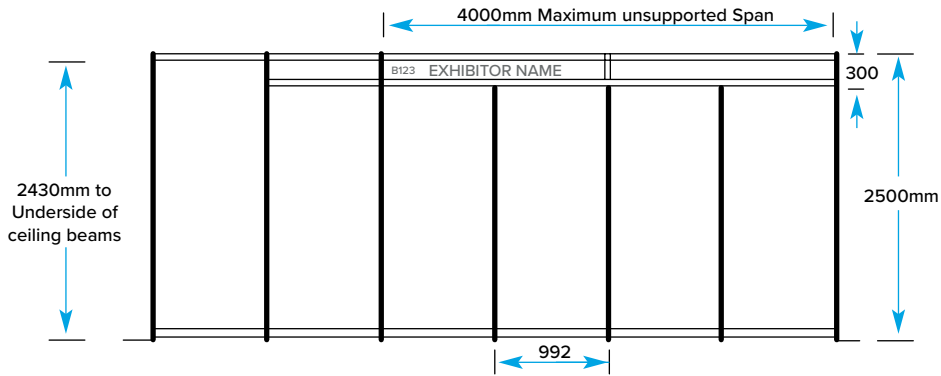


- ▶ Name panel
- ▶ Fascia
- ▶ Ceiling beams
- ▶ Modular wall panels in white
- ▶ Intermediate support on all frontages in excess of 4m
- ▶ Corner support

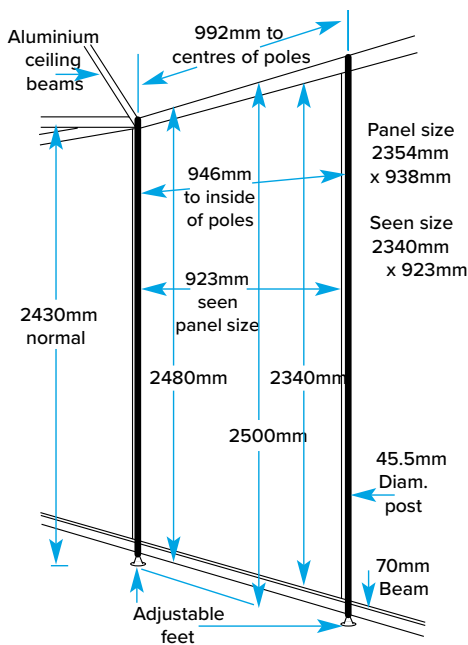


The illustration depicts typical sites. Check your own space allocation for dimensions, number and location of open sides etc.

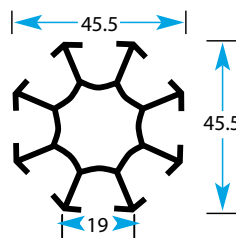
SHELL DIMENSIONS



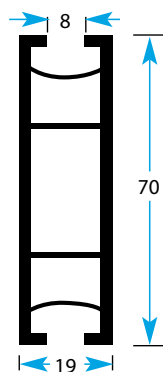
PANEL DIMENSIONS



POST SECTION

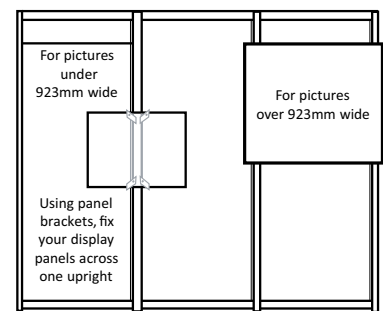


BEAM SECTION



* Cross section

POSTERS AND PANELS



CEILING GRID

